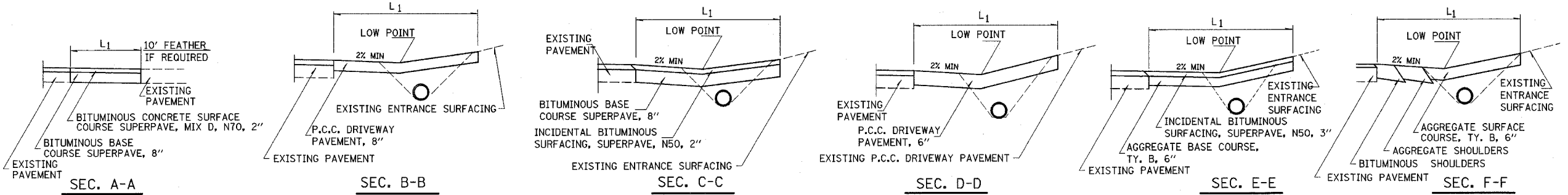
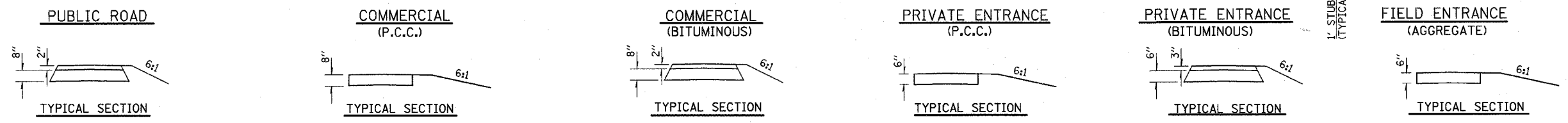
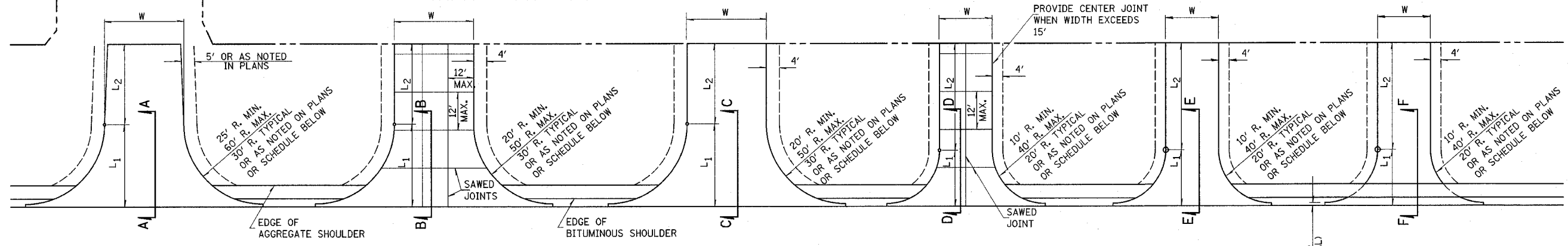


L<sub>1</sub> = DISTANCE FROM EDGE OF PAVEMENT TO RADIUS POINT OR MAX. DISTANCE 30'  
L<sub>2</sub> = DISTANCE FROM RADIUS POINT OR MAX DISTANCE 30' OFF EDGE OF PAVEMENT TO R.O.W. LINE.  
NOTE: MATERIAL USED TO CONSTRUCT L<sub>2</sub> LENGTH SHALL BE OF THE SAME TYPE OF MATERIAL AS EXISTING ENTRANCE.



ENTRANCE SCHEDULE

EXIST SURFACE	TYPE	SIDE/STATION	WIDTH	LENGTH		RADIUS	AGGREGATE BASE COURSE TYPE B		AGGREGATE SURFACE COURSE TYPE B	INCLD. BIT. SURFACING, SUPERPAVE, N50	P.C.C. DRIVEWAY PAV'T, 6"	TEMPORARY ACCESS (PE)	TEMPORARY ACCESS (CE)
				L <sub>1</sub>	L <sub>2</sub>		TON	SQ. YD.					
AGG	CE	LT/953+15.73	35'	30'	8'	30'	16	160	11	18			1
AGG	PE	RT/967+27.95	12'	20'	18'	20'			8	8			1
BIT	PE	RT/970+42.68	24'	20'	8'	20'	32			16			1
CONC	PE	RT/972+37.06	17'	20'	31'	20'					115		1
CONC	PE	LT/973+25.02	12'	20'	8'	20'					56		1
CONC	PE	RT/977+48.03	22'	20'	8'	20'					88		1
BIT	PE	RT/982+13.12	22'	20'	20'	20'	133			65			1
EARTH	FE	LT/1001+08.52	12'	20'	68'	20'			5				1
AGG	FE	RT/1002+39.03	12'	20'	68'	20'			36				1
AGG	FE	RT/1013+70.97	15'	20'	105'	20'			66				1
BIT	CE	RT/1021+73.10	35'	30'	5'	20'		179		20			1
CONC	PE	LT/1022+11.30	20'	20'	31'	20'					195		1
AGG	CE	RT/1024+56.23	35'	30'	3'	30'		160	4	18			1
BIT	PE	LT/1034+14.52	24'	20'	20'	20'	119			58			1

ENTRANCE SCHEDULE

EXIST SURFACE	TYPE	SIDE/STATION	WIDTH	LENGTH		RADIUS	AGGREGATE BASE COURSE TYPE B		AGGREGATE SURFACE COURSE TYPE B	INCLD. BIT. SURFACING, SUPERPAVE, N50	P.C.C. DRIVEWAY PAV'T, 6"	TEMPORARY ACCESS (PE)	TEMPORARY ACCESS (CE)
				L <sub>1</sub>	L <sub>2</sub>		TON	SQ. YD.					
AGG	FE	LT/81+33.05	20'	10'	-	10'			9				1
BIT	MB	LT/241+07.92	35'	17'	-	17'	6	80		3			1
AGG	CE	LT/241+31.00	35'	17'	-	17'		80		9			1
AGG	FE	RT/241+31.00	12'	-	184'	20'			92				1
CONC	PE	LT/105+81.69	24'	10'	8'	10'					55		1
BIT	MB	LT/105+96.86	16'	34'	-	20'/52'	6		21	3			1
EARTH	FE	LT/184+07.92	16'	34'	-	20'/52'							1

PUBLIC ACCESS	STATION RANGE
RELOCATED NAZARENE RD	79+50.00 - 84+87.47
WEBB ST	240+00.00 - 242+00.00
BRIARWOOD DR	90+00.00 - 92+50.00
LYNN ACRES DR	97+50.00 - 100+00.00
COUNTRY ESTATES RD	105+00.00 - 107+00.00
LEPRECHAUN LANE	110+00.00 - 112+37.28
IRISH HILL RD	120+00.00 - 122+64.46
WABASH RIVER HILLS RD	127+05.43 - 130+00.00
RELOCATED 1200TH ST	200+00.00 - 214+52.15
LAKE RD	150+00.00 - 153+00.00
RELOCATED WOOD BIRD DR	300+00.00 - 310+00.00
FORD AVE	178+79.12 - 189+43.16

- ① SEE STANDARD 406201 FOR DETAILS. SEE SECTION E-E FOR SIMILAR SECTION.
- ② SEE PLAN AND PROFILE SHEET FOR DETAILS. NOTE: QUANTITY INCLUDES LANE.

REVISIONS	
NAME	DATE

ILLINOIS DEPARTMENT OF TRANSPORTATION

RURAL ENTRANCE  
DETAILS & SCHEDULES  
SHEET 1 OF 2

DRAWN BY DIST 7  
CHECKED BY BWC

DATE 8/02

\*DGN-SPEC\*  
\*DATE\*