

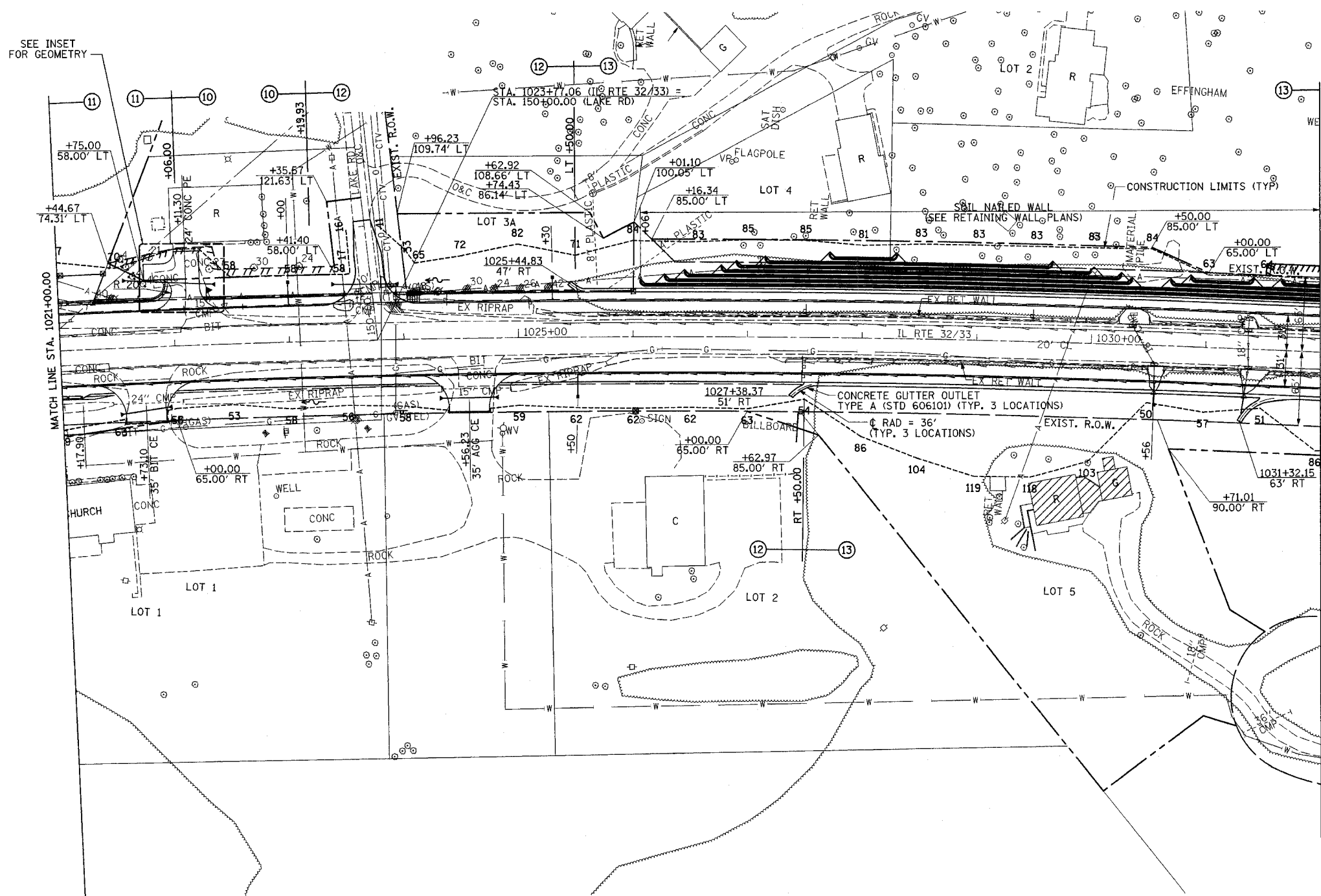
| F.A.P. RTE. | SECTION | COUNTY | TOTAL SHEETS | SHEET NO. |
|---|---------|-----------|--------------|-----------|
| 774 | | EFFINGHAM | 273 | 62 |
| STA. 1021+00.00 TO STA. 1032+00.00 | | | | |
| FED. ROAD DIST. NO. 7 ILLINOIS FED. AID PROJECT | | | | |
| • 107WRS-1, 107BY, 107BY-1 & 107B-2 | | | | |

CONTRACT NO. 94827

SHEET NOTE
 THE CONTRACTOR SHALL INSTALL 18"Ø PIPE CULVERT RT STA. 1030+56.00 AND 1031+38.00 TO EXTEND DRAINS BEYOND EMBANKMENT LINE. THE CONTRACTOR SHALL MAINTAIN THE EXISTING STORM SEWER CROSSING AT STA. 1030+46 AND STA. 1031+37 UNTIL DRAINAGE IN STAGE II IS COMPLETE ENOUGH TO DRAIN THE NORTH SIDE OF IL ROUTE 32/33 TO THE WEST.



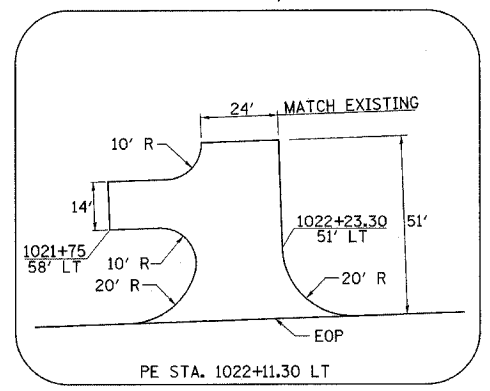
- PAVED DITCH REMOVAL**
 RT STA. 1021+00.00 - STA. 1021+44.49 45'
 LT STA. 1021+00.00 - STA. 1021+25.45 28'
 TOTAL 73'
- GUTTER OUTLET REMOVAL**
 LT STA. 1025+16.18 - STA. 1025+61.30 1 EACH
 RT STA. 1025+77.57 - STA. 1026+49.74 1 EACH
 TOTAL 2 EACH
- CONCRETE GUTTER, TYPE A**
 LT STA. 1025+55.00 - STA. 1032+00.00 645'
 RT STA. 1027+55.00 - STA. 1031+50.00 395'
 RT STA. 1031+75.00 - STA. 1032+00.00 25'
 TOTAL 1065'
- CLASS SI CONCRETE (OUTLET)**
 LT STA. 1025+50.00 4.0 CU YD
 RT STA. 1027+50.00 4.5 CU YD
 RT STA. 1031+75.00 5.5 CU YD
 TOTAL 14.0 CU YD
- RETAINING WALL REMOVAL**
 LT STA. 1025+69.00 - STA. 1030+24.00 1520 SQ FT
 RT STA. 1027+33.00 - STA. 1030+51.00 1062 SQ FT
 LT STA. 1030+50.00 - STA. 1031+31.00 271 SQ FT
 RT STA. 1030+64.00 - STA. 1031+32.00 227 SQ FT
 LT STA. 1031+43.00 - STA. 1032+00.00 190 SQ FT
 RT STA. 1031+55.00 - STA. 1032+00.00 150 SQ FT
 TOTAL 3420 SQ FT
- PILLAR REMOVAL**
 LT STA. 1023+59.76 1 EACH
 LT STA. 1023+85.31 1 EACH
 TOTAL 2 EACH
- PIPE UNDERDRAINS FABRIC LINED TRENCH, 6"**
 LT STA. 1021+00.00 - STA. 1032+00.00 1100'
 RT STA. 1021+00.00 - STA. 1032+00.00 1100'
 TOTAL 2200'
- PIPE UNDERDRAINS 6" (SPECIAL)**
 LT STA. 1023+00.00 17'
 LT STA. 1025+30.00 17'
 RT STA. 1025+50.00 17'
 RT STA. 1030+56.00 17'
 TOTAL 68'
- PIPE UNDERDRAIN REMOVAL**
 LT STA. 1021+00.00 - STA. 1023+50.00 250'
 RT STA. 1021+00.00 - STA. 1024+40.00 340'
 RT STA. 1025+22.00 - STA. 1032+00.00 678'
 TOTAL 1268'
- CONCRETE HEADWALL FOR PIPE DRAINS**
 LT STA. 1023+00.00 1 EACH
 LT STA. 1025+30.00 1 EACH
 RT STA. 1025+50.00 1 EACH
 RT STA. 1030+56.00 1 EACH
 TOTAL 4 EACH
- REMOVING INLETS**
 LT STA. 1030+35.79 2 EACH
 RT STA. 1030+55.78 1 EACH
 LT STA. 1031+36.56 2 EACH
 RT STA. 1031+37.75 1 EACH
 TOTAL 6 EACH
- STORM SEWER TO BE FILLED**
 LT STA. 1030+36.00 0.7 CU YDS
 RT STA. 1030+36.00 - STA. 1030+56.00 2.5 CU YDS
 RT STA. 1030+56.00 2.6 CU YDS
 LT STA. 1031+37.00 0.6 CU YDS
 LT & RT STA. 1031+37.00 - STA. 1031+38.00 2.2 CU YDS
 RT STA. 1031+38.00 2.6 CU YDS
 TOTAL 11.2 CU YDS



SEE INSET FOR GEOMETRY

| PLAN | DATE | BY |
|----------|------|----|
| REVISION | | |
| NO. | | |

| PROFILE | DATE | BY |
|----------|------|----|
| REVISION | | |
| NO. | | |



INSET

SEE RURAL ENTRANCE DETAILS & SCHEDULES FOR SECTIONS

PROP. CURVE PROP5
 PI STA. = 1014+09.68
 $\Delta = 25^\circ 19' 45''$ (RT)
 $D = 0^\circ 30' 00''$
 $R = 11,456.75'$
 $T = 2,574.44'$
 $L = 5,064.76'$
 $E = 285.69'$
 $e = 1.56\%$
 P.C. STA. = 988+35.24
 P.T. STA. = 1039+00.00
 SE ATTAINED STA. 985+70.00 TO STA. 989+00.00
 SE REMOVED STA. 1025+00.00 TO STA. 1026+75.00

EXIST. CURVE C-3
 P.I. STA. = 1034+75.4
 $\Delta = 44^\circ 02' 00''$
 $D = 0^\circ 30' 00''$
 $R = 11,459.2'$
 $T = 4,633.6'$
 $L = 8,806.7'$
 $E = 901.4'$
 $e = 1.55\%$
 P.C. STA. = 988+41.2
 P.T. STA. = 1076+42.9

REMOVAL AND DISPOSAL OF NON-FRIABLE ASBESTOS, BUILDING NO. 2
 RT STA. 1029+75.00 1 L SUM

PIPE CULVERT, CLASS A, TYPE 1, 18"
 RT STA. 1030+56.00 18'
 RT STA. 1031+38.00 18'
 TOTAL 36'

TERMINAL MARKER - DIRECT APPLIED
 RT STA. 1021+17.90 1 EACH

BUILDING REMOVAL NO. 2
 RT STA. 1029+75.00 1 L SUM

REMOVE EXISTING FLARED END SECTION
 RT STA. 1030+56.00 1 EACH
 RT STA. 1031+38.00 1 EACH
 TOTAL 2 EACH

STEEL PLATE BEAM GUARDRAIL, TYPE A (SPECIAL)
 LT STA. 1021+80.40 - STA. 1021+95.40 24'