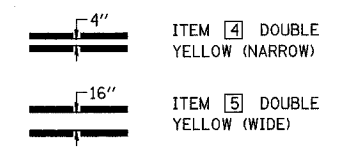
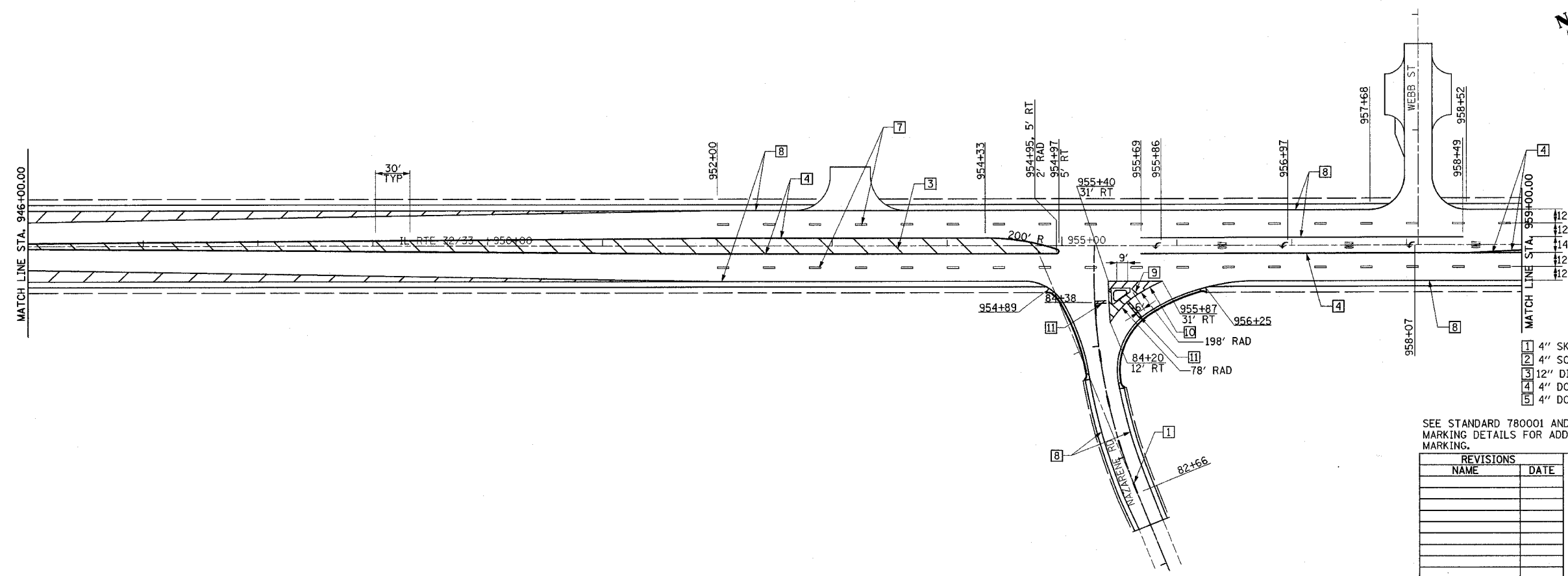
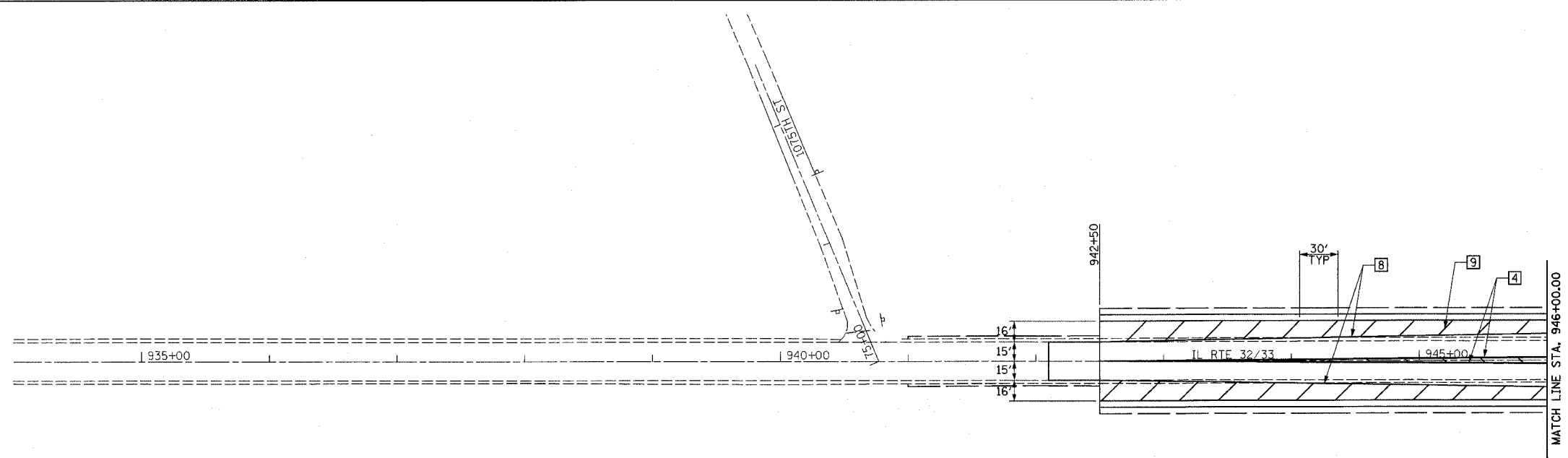
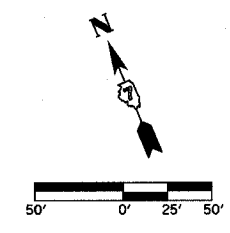


F.A.P. RTE.	SECTION	COUNTY	TOTAL SHEETS	SHEET NO.
774	.	EFFINGHAM	273	81
FED. ROAD DIST. NO. 7		ILLINOIS	FED. AID PROJECT	
*107WRS-1, 107BY, 107BY-1 & 107B-2				
CONTRACT NO. 94827				



- TYPICAL PAVEMENT MARKING LEGEND**
- | | |
|---------------------------|-----------------------|
| 1 4" SKIP-DASH YELLOW | 7 6" SKIP-DASH WHITE |
| 2 4" SOLID YELLOW | 8 4" SOLID WHITE |
| 3 12" DIAGONAL YELLOW | 9 12" DIAGONAL WHITE |
| 4 4" DOUBLE YELLOW NARROW | 10 6" SOLID WHITE |
| 5 4" DOUBLE YELLOW WIDE | 11 24" STOP BAR WHITE |

SEE STANDARD 780001 AND DISTRICT PAVEMENT MARKING DETAILS FOR ADDITIONAL DETAILS FOR PAVEMENT MARKING.

REVISIONS	
NAME	DATE

ILLINOIS DEPARTMENT OF TRANSPORTATION

PAVEMENT MARKING PLAN
SHEET 2 OF 6

DATE 8/02

DRAWN BY ASB
CHECKED BY SJK