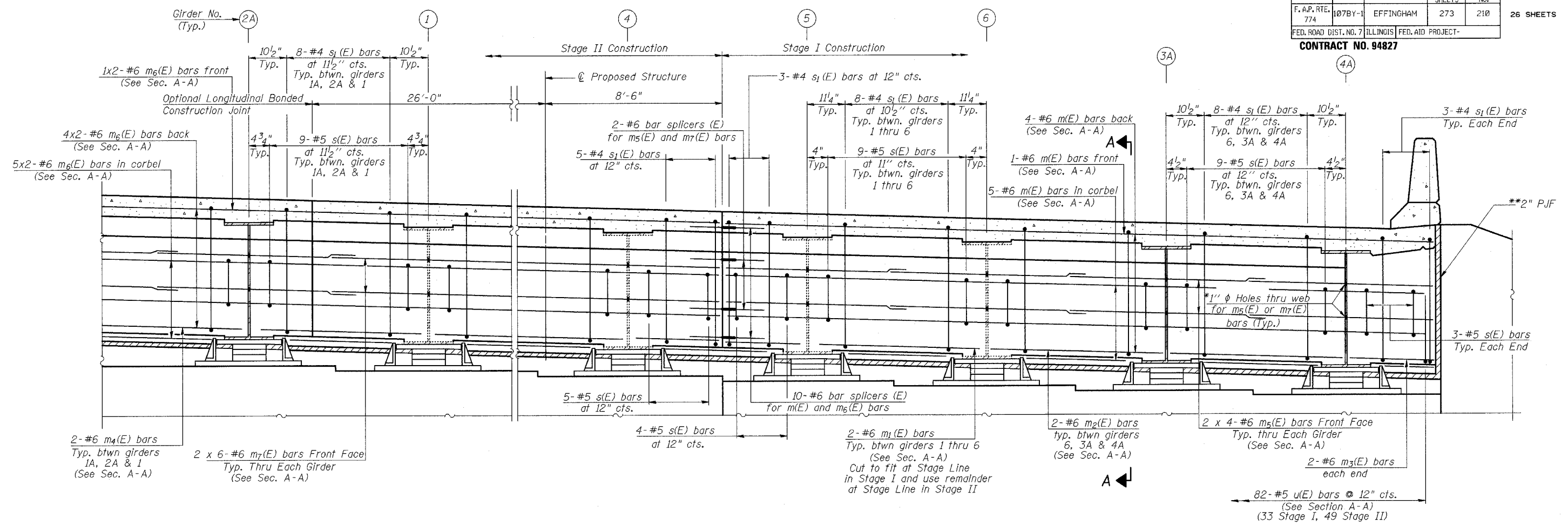
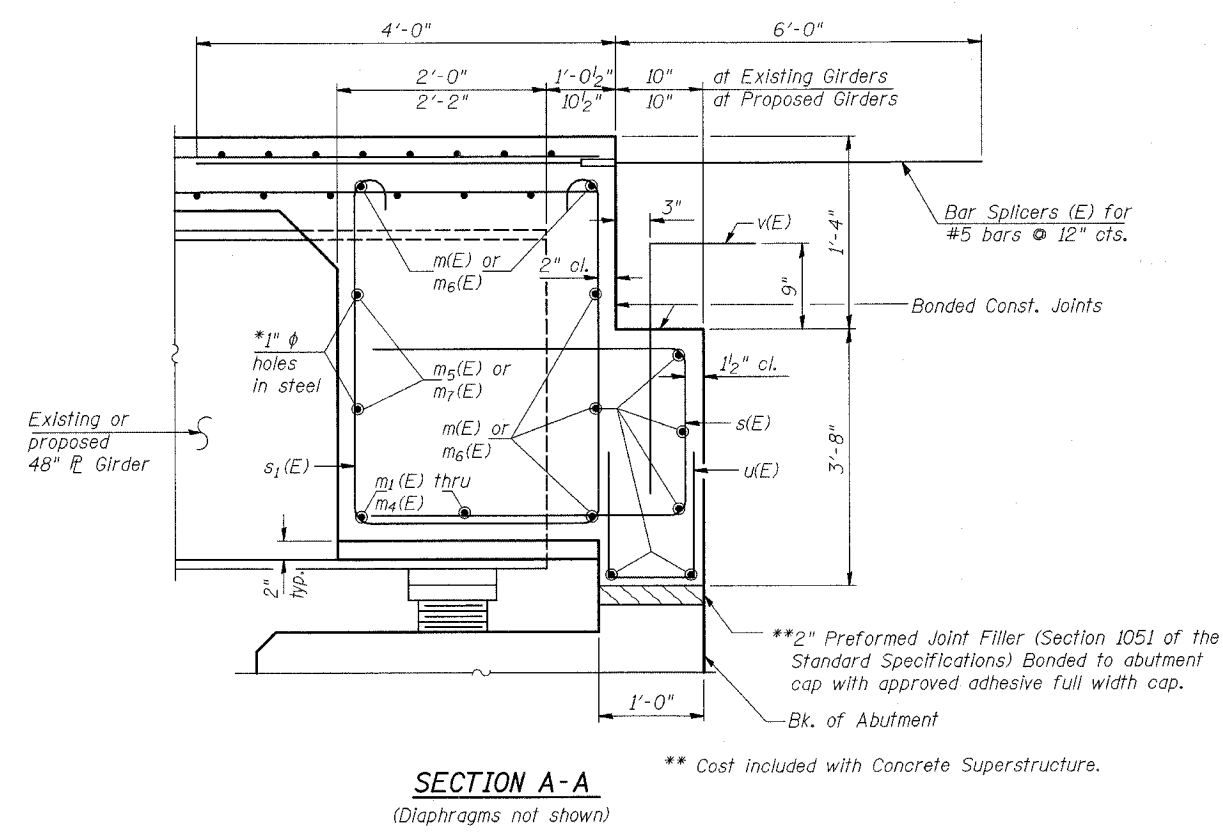
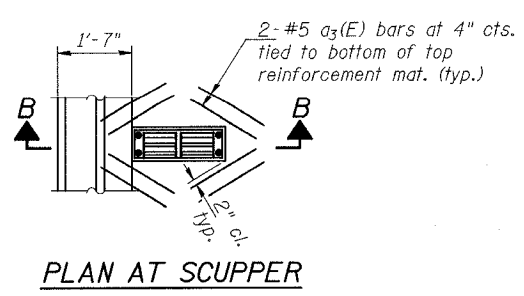
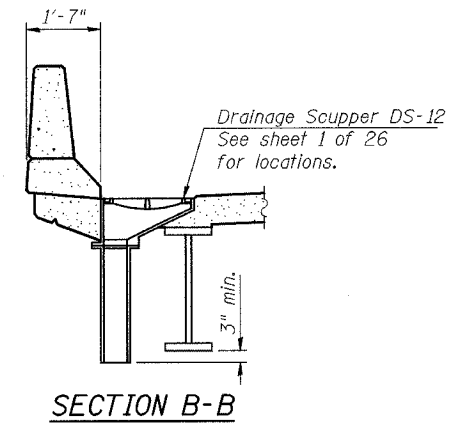


CONTRACT NO. 94827



DIAPHRAGM ELEVATION AT E. ABUTMENT
Looking East

*Field drill 1" ϕ holes for $m_5(E)$ or $m_7(E)$ bars in existing girders. Cost of field drilling included with Concrete Superstructure.



NOTES
Reinforcement bars in diaphragm and around scuppers are billed with superstructure on sheet 9 of 26.
Concrete in end diaphragm is included with Concrete Superstructure on sheet 9 of 26.
For details of bars s(E), s(E) & u(E) see sheet 9 of 26.
For anchor bolt details see sheet 15 of 26.
Reinforcement bars designated (E) shall be epoxy coated. Bars indicated thus 1 X 2-#5 etc. indicates 1 line of bars with 2 lengths per line.
See Sheet 24 of 26 for Bar Splicer details.
See Section thru Abutment on Sheet 2 Of 26 for back of abutment treatment.

MIN. BAR LAP
#6 bar = 2'-9"

SHEET TITLE		DIAPHRAGM AND DRAINAGE SCUPPER DETAILS	
PROJECT	IL RTE. 32/33 OVER LITTLE WABASH RIVER OVERFLOW F.A.P. RTE. 774 SECTION 107BY-1 EFFINGHAM COUNTY STATION 1018+86.92 STRUCTURE NO. 025-0077	PROJECT NO.	02017
DRAWN BY	TFC	SCALE	
CHECKED BY	KPS/CME/MCB	DATE	
DRAWING NO.			
COOMBE-BLOXDORF P.C. Engineers/Land Surveyors Springfield, Illinois Design Firm License No. 184-002708			10 OF 26 SHTS

** Cost included with Concrete Superstructure.