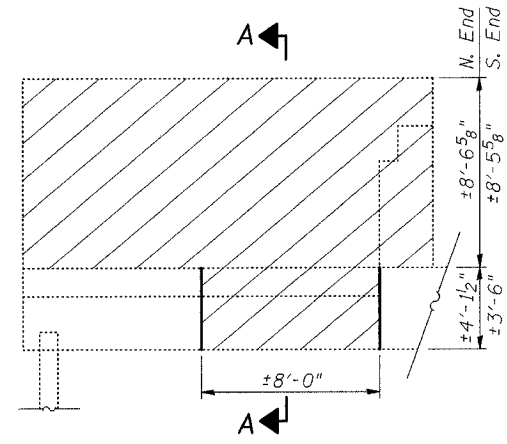
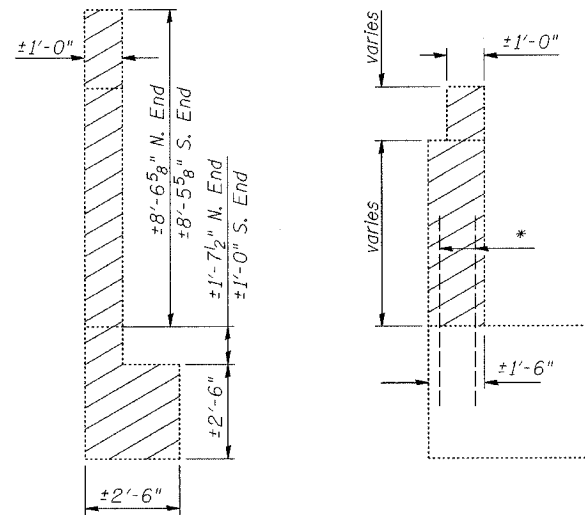


CONTRACT NO. 94827



WING WALL ELEVATION

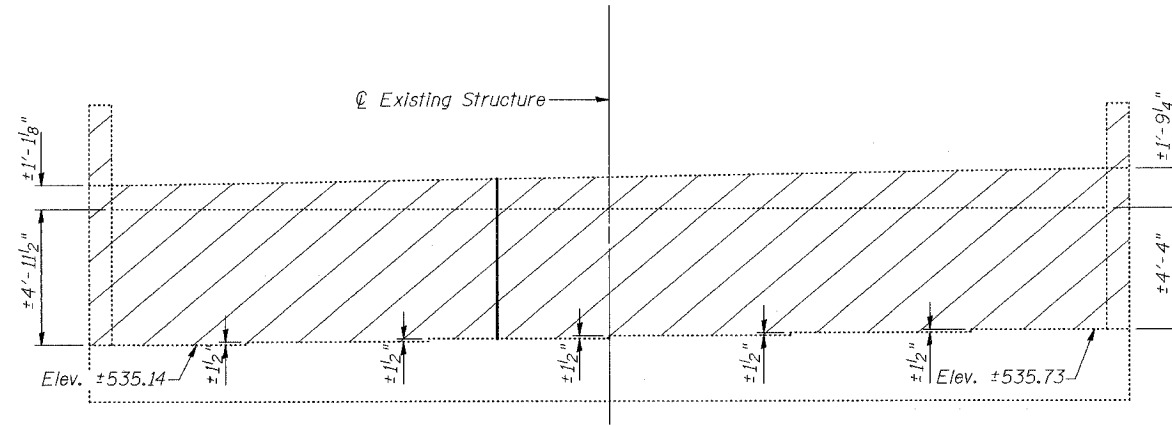
Southwest Wing Wall shown
Northwest Wing Wall Similar.



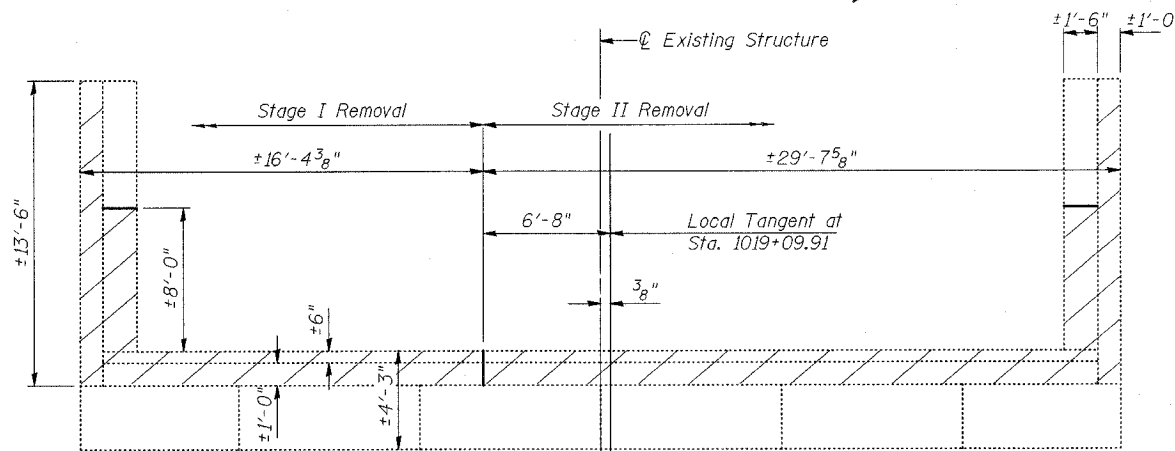
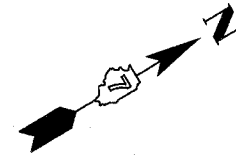
SEC. A-A

SEC. THRU ABUT.

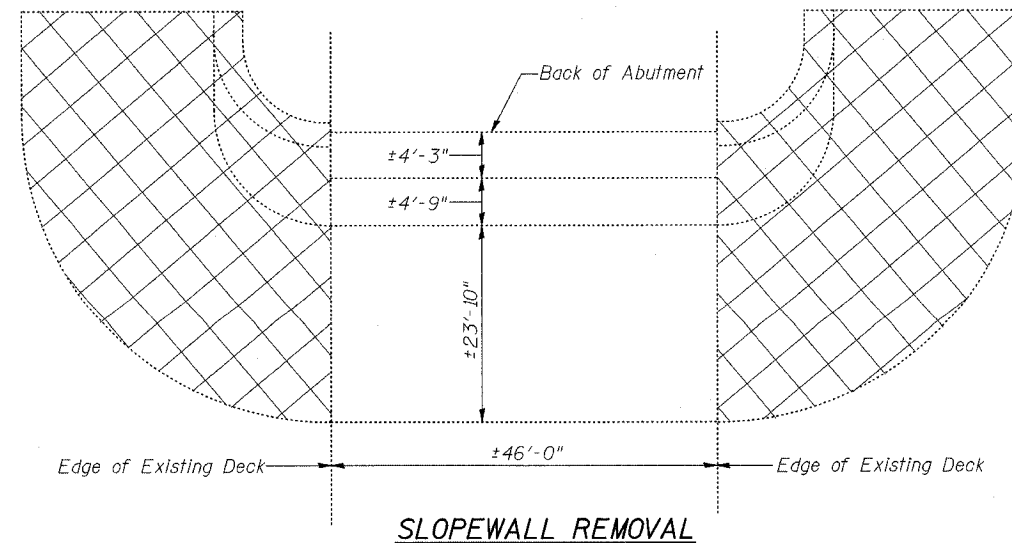
* Existing v bars in abutment backwall shall be cut to fit proposed construction.



ELEVATION
(Looking West)



PLAN



SLOPEWALL REMOVAL

NOTES

Hatched areas indicate Concrete Removal.
Existing reinforcement not extending into areas of new construction shall be cut at the removal line and removed. Exposed portion will be covered with a layer of epoxy. Cost included with Concrete Removal.
Existing reinforcement extending into the removal area construction area to be cleaned, straightened and incorporated into the new construction. All reinforcement bars that are damaged during concrete removal shall be replaced with an approved bar splicer or anchorage system. Cost included with Concrete Removal.
Cross hatched areas indicate Slopewall Removal. Existing slopewall is 6" thick.

BILL OF MATERIAL

Item	Unit	Quantity
Concrete Removal	Cu. Yd.	28.2
Slopewall Removal	Sq. Yd.	428

SHEET TITLE WEST ABUTMENT CONCRETE REMOVAL	
PROJECT IL RTE. 32/33 OVER LITTLE WABASH RIVER OVERFLOW F.A.P. RTE. 774 SECTION 107BY-1 EFFINGHAM COUNTY STATION 1018+86.92 STRUCTURE NO. 025-0077	PROJECT NO. 02017 SCALE DATE DRAWN BY TFG CHECKED BY KPS/CME/MCB DRAWING NO.
COOMBE-BLOXDORF P.C. Engineers / Land Surveyors Springfield, Illinois Design Firm License No. 184-002703	
16 OF 26 SHTS	