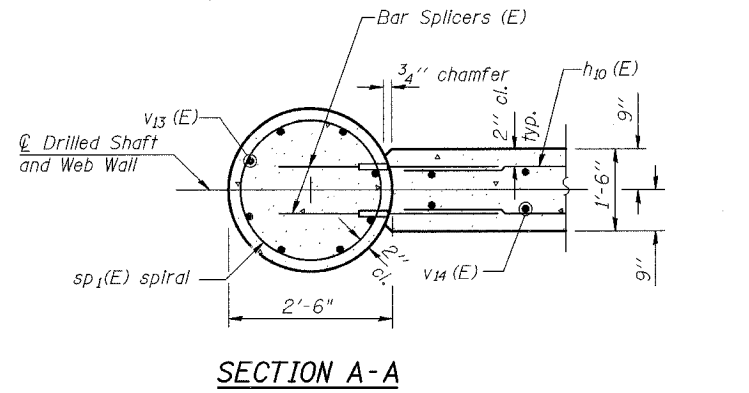


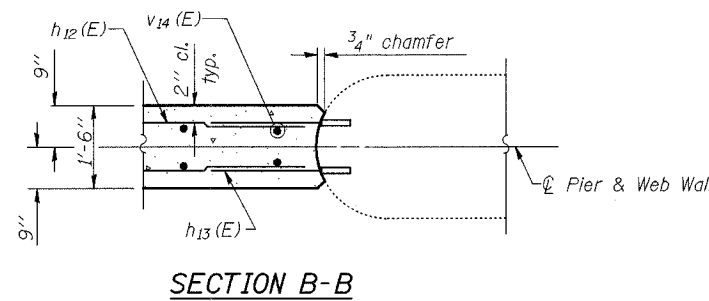
SECTION E-E

* If the prevailing water surface elevation during construction is consistently different than estimated on the plans, the contractor may propose an adjustment to the top of the drilled shaft elevation as part of their installation procedure. The top of all drilled shafts within a substructure unit shall be constructed to the same elevation and extend above the prevailing water surface. The quantities and reinforcement detailing are based on the top of shaft and the estimated elevations shown and may change based on the actual elevations encountered at each shaft and the final top of shaft elevation.

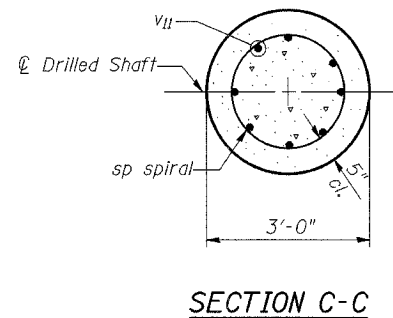
Pier - details



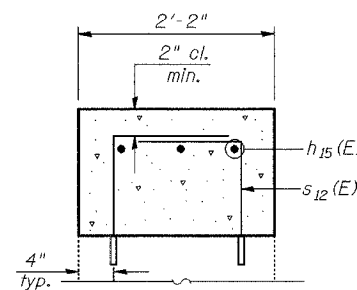
SECTION A-A



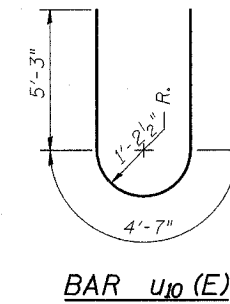
SECTION B-B



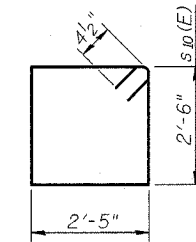
SECTION C-C



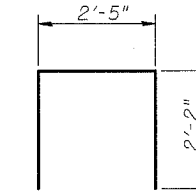
SECTION D-D



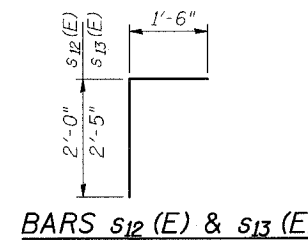
BAR u10 (E)



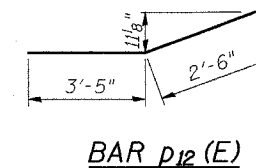
BAR s10 (E) & s14 (E)



BAR s11 (E)



BARS s12 (E) & s13 (E)



BAR p12 (E)

BILL OF MATERIAL

Bar	No.	Size	Length	Shape
h10 (E)	48	#5	4'-11"	—
h11 (E)	24	#5	5'-3"	—
h12 (E)	24	#5	4'-7"	—
h13 (E)	48	#5	3'-7"	—
h14 (E)	3	#5	6'-9"	—
h15 (E)	6	#5	24'-7"	—
h16 (E)	3	#5	29'-10"	—
p10 (E)	7	#7	22'-6"	—
p11 (E)	6	#7	21'-10"	—
p12 (E)	4	#7	5'-11"	—
s10 (E)	23	#4	10'-7"	□
s11 (E)	16	#4	6'-9"	□
s12 (E)	48	#4	3'-6"	□
s13 (E)	16	#4	3'-11"	□
s14 (E)	22	#4	12'-3"	□
sp	4	#4	23'-9"	⋈
sp1 (E)	4	#4	11'-2"	⋈
u10 (E)	6	#6	15'-1"	U
v11	32	#9	23'-9"	—
v12 (E)	32	#9	9'-2"	—
v13 (E)	32	#9	13'-6"	—
v14 (E)	48	#5	13'-4"	—
Drilled Shaft in Soil	36'	Foot	50	
Drilled Shaft in Rock	30'	Foot	47	
Concrete Structures		Cu. Yd.	41.2	
Reinforcement Bars, Epoxy Coated		Pound	5820	
Reinforcement Bars		Pound	3440	
Bar Splicers		Each	147	

NOTES

Reinforcement Bars designated (E) shall be epoxy coated. Cast steps monolithically with cap. Space cap reinforcement to miss anchor bolts. Minimum lap for spirals = 1 1/2 turns. **Length is height of spiral. Bars indicated thus 3x2-#7 etc. indicates 3 lines of bars with 2 lengths per line.

Work this sheet with sheet 22 of 26.

SHEET TITLE		
PIER DETAILS		
PROJECT	IL RTE. 32/33 OVER LITTLE WABASH RIVER OVERFLOW F.A.P. RTE. 774 SECTION 107BY-1 EFFINGHAM COUNTY STATION 1018+86.92 STRUCTURE NO. 025-0077	PROJECT NO. 02017
SCALE		DATE
DRAWN BY	TFG	CHECKED BY
	KPS/CME/MCB	DRAWING NO.
COOMBE-BLOXDORF P.C. Engineers / Land Surveyors Springfield, Illinois Design Firm License No. 184-002708		23
		OF 26 SHTS