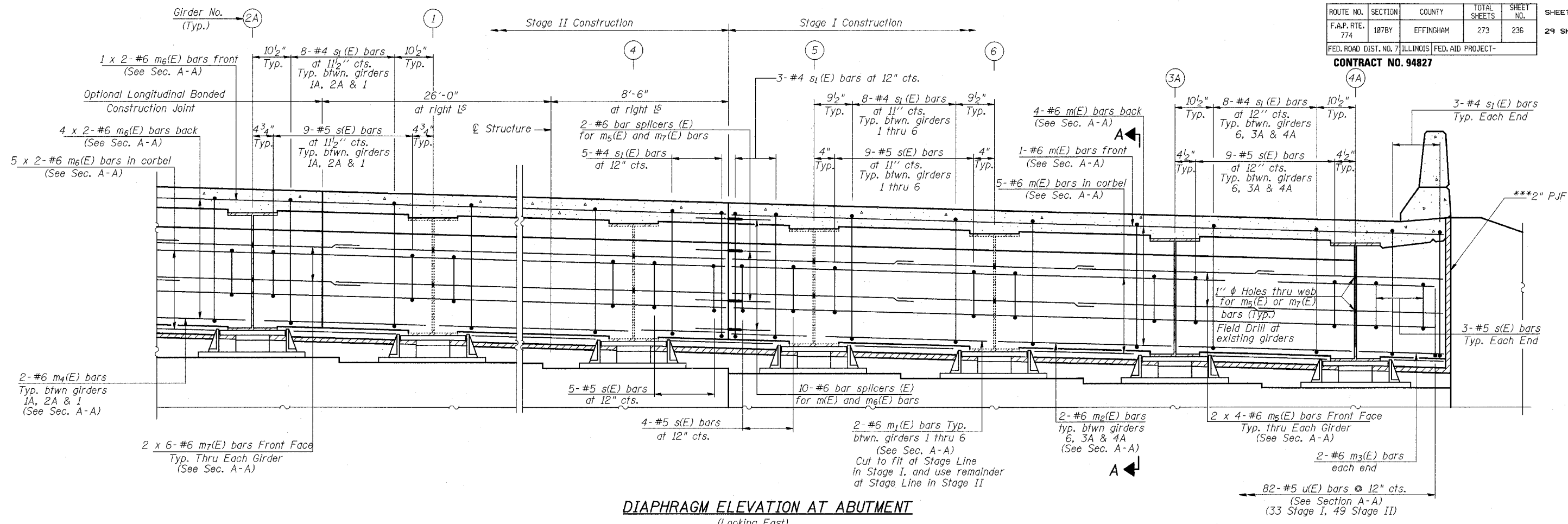


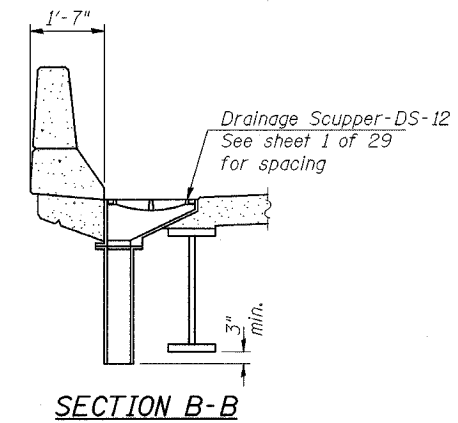
ROUTE NO.	SECTION	COUNTY	TOTAL SHEETS	SHEET NO.
F.A.P. RTE. 774	107BY	EFFINGHAM	273	236
FED. ROAD DIST. NO. 7 ILLINOIS FED. AID PROJECT-				

CONTRACT NO. 94827

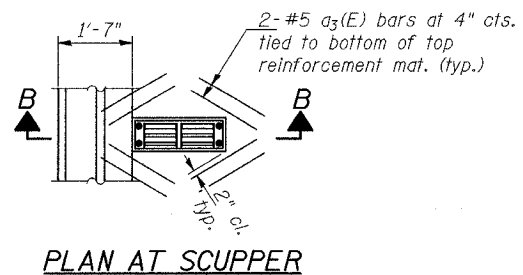
SHEET NO. 10
29 SHEETS



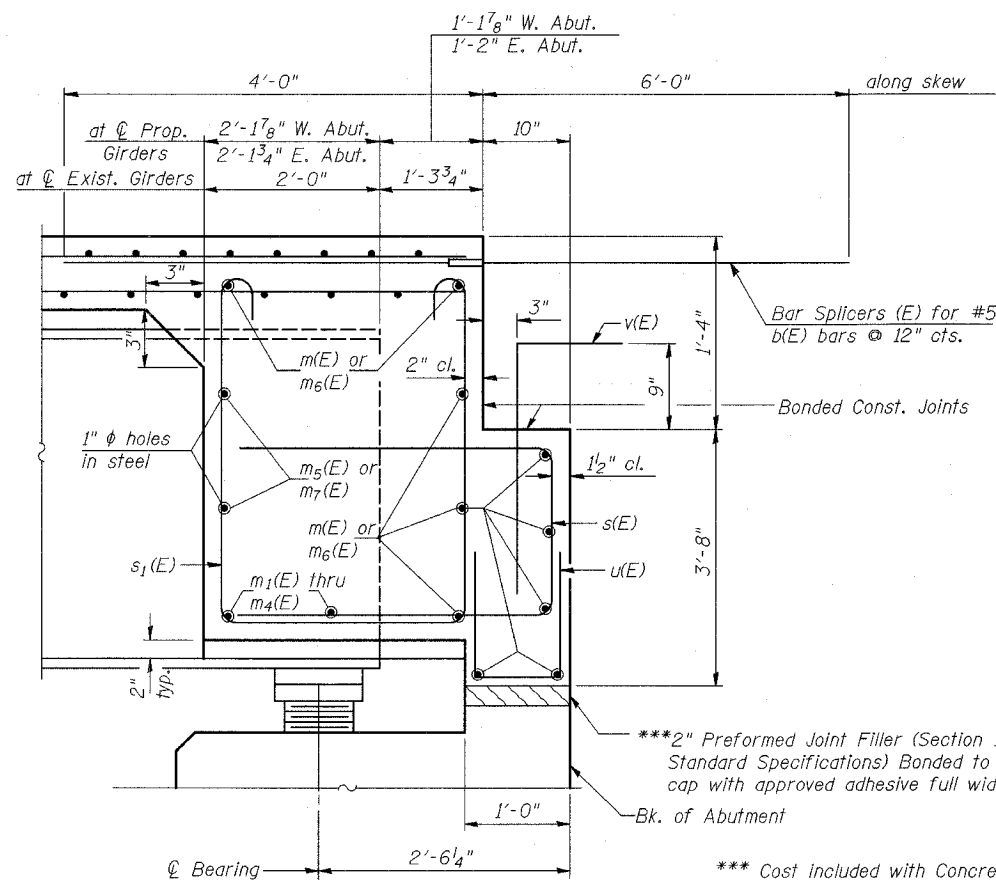
DIAPHRAGM ELEVATION AT ABUTMENT
(Looking East)



SECTION B-B



PLAN AT SCUPPER



SECTION A-A

Dimensions at right angles to abutment, except as shown.
(Diaphragms not shown)

NOTES

- Cost for Field drilling of 1" ϕ holes for $m_5(E)$ or $m_7(E)$ bars shall be included with Concrete Superstructure.
- Reinforcement bars in diaphragm and around scuppers are billed with superstructure on sheet 9 of 29.
- Concrete in end diaphragms is included with Concrete Superstructure on sheet 9 of 29.
- For details of bars $s(E)$, $s_1(E)$ & $u(E)$ see sheet 9 of 29.
- The $s(E)$, $s_1(E)$ & $u(E)$ bars shall be placed parallel to the beams. Spacing for these bars shall be at right angles to the beams.
- For anchor bolt details see sheet 16 of 29.
- Reinforcement bars designated (E) shall be epoxy coated.
- Bars indicated thus 1 x 2-#5 etc. indicates 1 line of bars with 2 lengths per line.
- See sheet 26 of 29 for bar splicer details.
- See Section thru abutment on sheet 2 of 29 for back of abutment treatment.

MIN. BAR LAP

#6 bar = 2'-9"

SHEET TITLE	
DIAPHRAGM AND DRAINAGE SCUPPER DETAILS	
PROJECT	PROJECT NO.
IL RTE. 32/33 OVER LITTLE WABASH RIVER	02017
F.A.P. RTE. 774 SECTION 107BY	SCALE
EFFINGHAM COUNTY	DATE
STATION 1011+50.17	DRAWN BY
STRUCTURE NO. 025-0078	CHECKED BY
	GJB/MCB
	DRAWING NO.
COOMBE-BLOXDORF P.C.	
Engineers / Land Surveyors	
Springfield, Illinois	
Design Firm License No. 184-002703	
	10
	OF 29 SHTS

#FILE#000006

diaphragm-details

BY: GJB/MCB DATE: 02/20/17