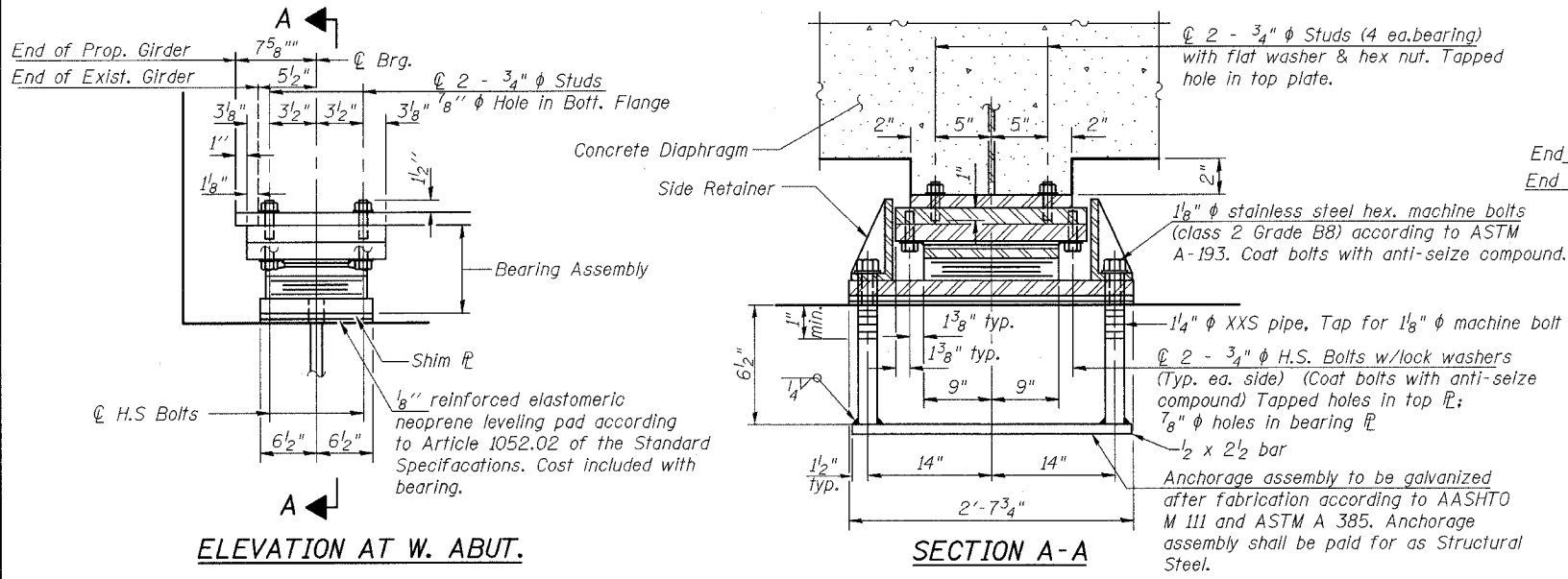
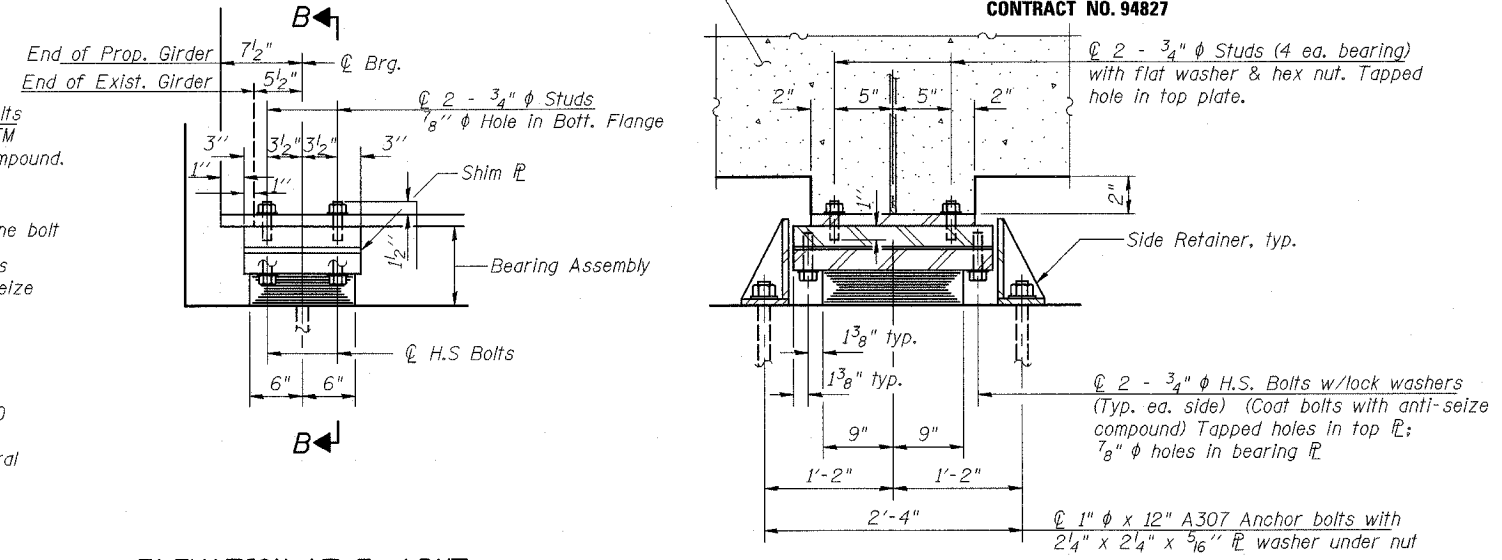


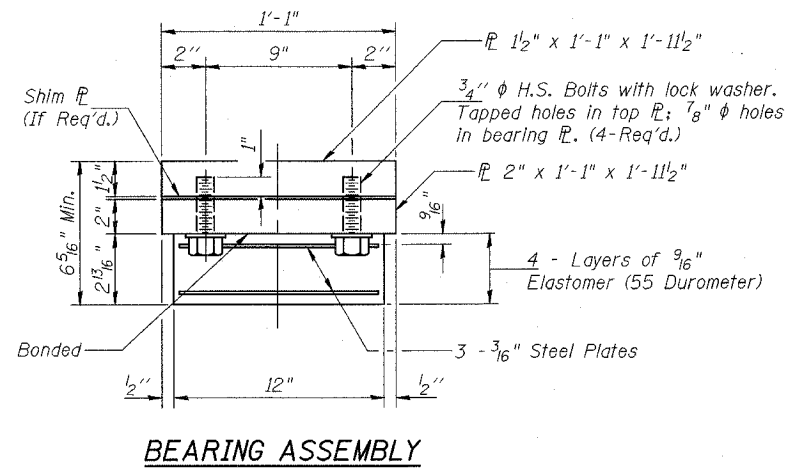
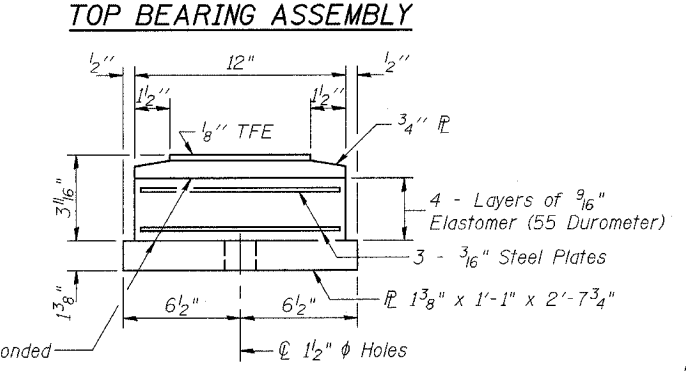
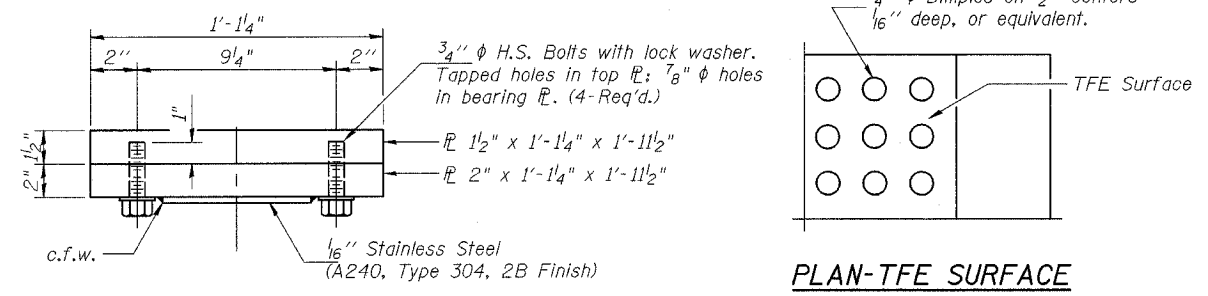
CONTRACT NO. 94827



TYPE II ELASTOMERIC EXP. BRG. W. ABUT.



TYPE I ELASTOMERIC EXP. BRG. E. ABUT.



NOTES

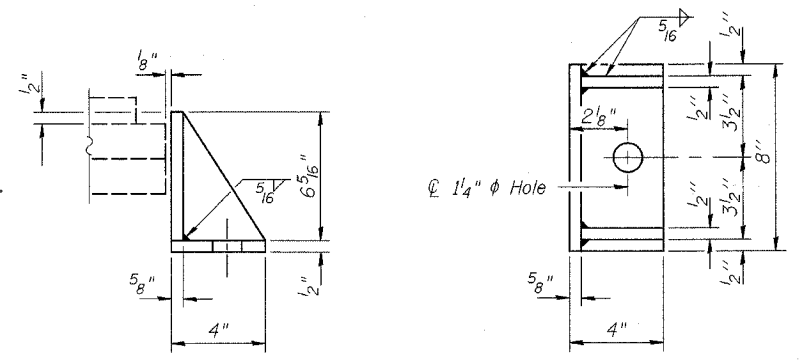
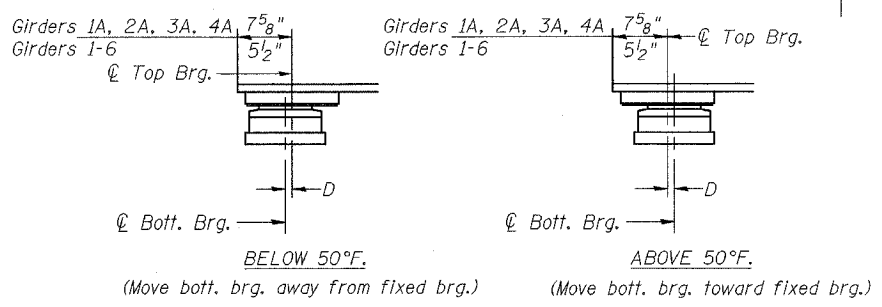
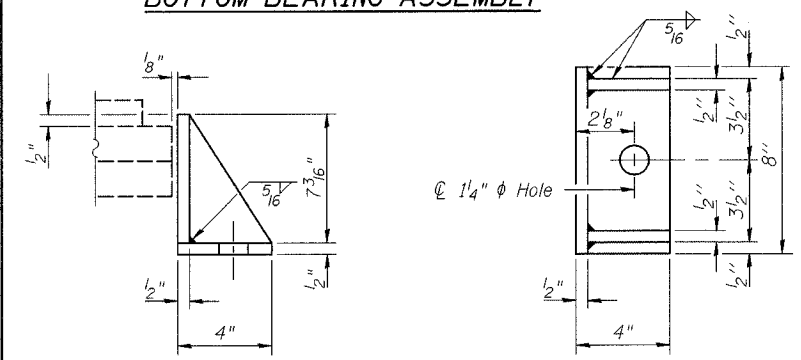
See sheet 16 of 29 for Anchor Bolt Installation. 7/8" Holes for 3/4" studs will be drilled in the field for existing girders. Cost included with Jacking and Cribbing.

The Structural Steel bearing plates of the elastomeric bearing assembly shall conform to the requirements of AASHTO M270, Grade 50.

Note: The 1/8" TFE sheet shall be bonded directly to the top steel plate with a two-component, medium viscosity epoxy resin, conforming to the requirements of the Federal Specification MMM-A-134, Type I. The bond agent shall be applied on the full area of the contact surfaces.

Bonding of 1/8" TFE sheet during vulcanizing process will be permitted provided the process and method of adjusting assembly height is approved by the Engineer.

Note: Shim plates shall not be placed under Bearing Assembly.



BILL OF MATERIAL

Item	Unit	Total
Elastomeric Bearing Assembly Type I	Each	10
Elastomeric Bearing Assembly Type II	Each	10

SHEET TITLE

BEARING DETAILS

PROJECT	IL RTE. 32/33 OVER LITTLE WABASH RIVER F.A.P. RTE. 774 SECTION 107BY EFFINGHAM COUNTY STATION 1011+50.17 STRUCTURE NO. 025-0078	PROJECT NO.	02017
SCALE		DATE	
DRAWN BY	CFC/TFG	CHECKED BY	GJB/MCB
DRAWING NO.			

COOMBE-BLOXDORF P.C.
 Engineers/Land Surveyors
 Springfield, Illinois
 Design Firm License No. 184-002703

14
 OF 29 SHTS