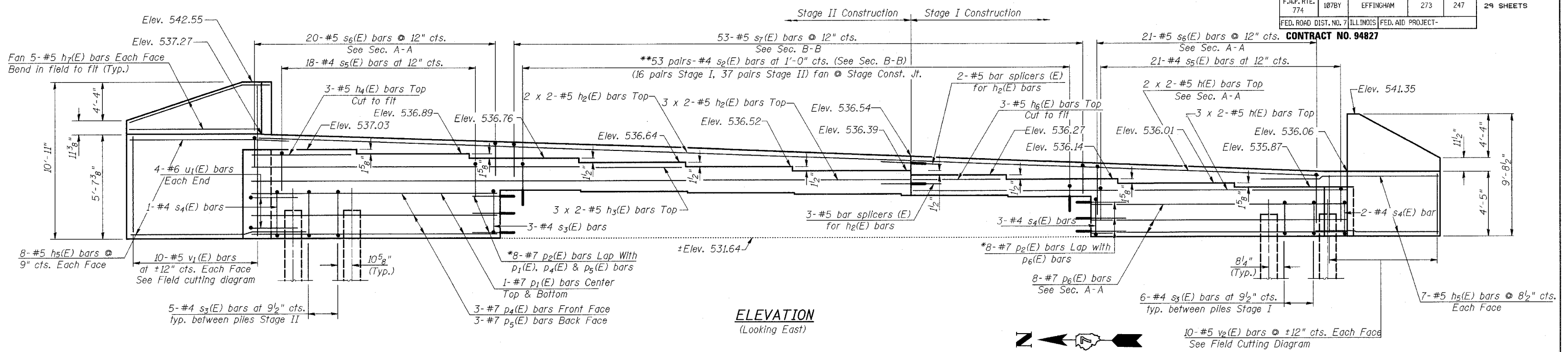
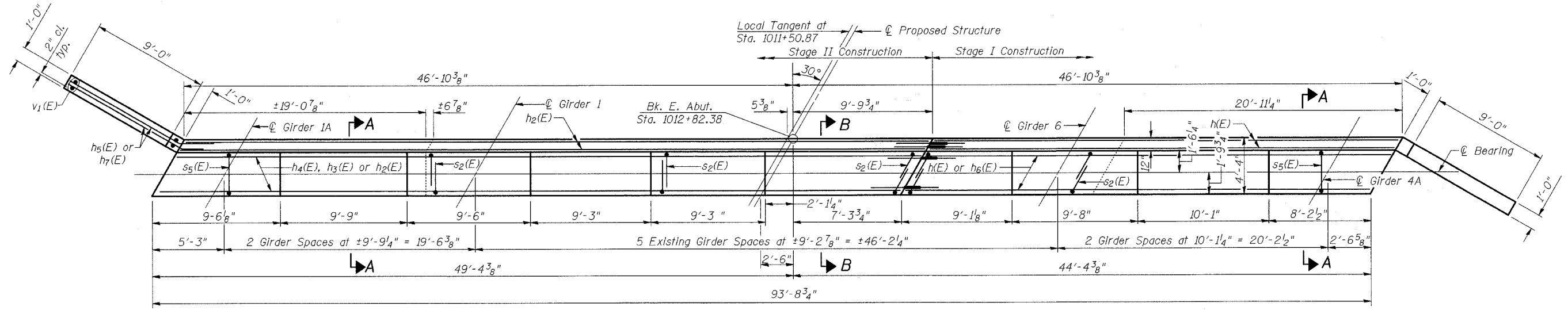


CONTRACT NO. 94827



ELEVATION
(Looking East)

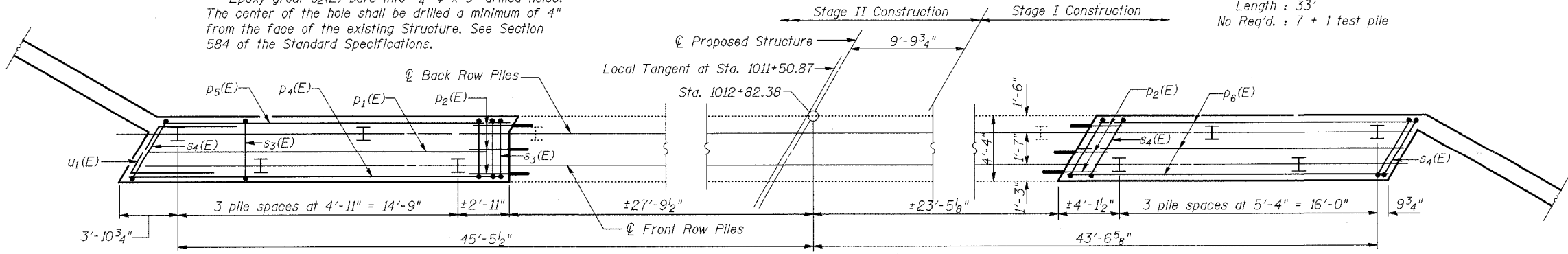


PLAN

*Epoxy grout $p_2(E)$ bars into $1\frac{1}{8}$ " ϕ x 9" drilled holes. The center of the hole shall be drilled a minimum of 4" from the face of the existing Structure. See Section 584 of the Standard Specifications.
 **Epoxy grout $s_2(E)$ bars into $3\frac{3}{4}$ " ϕ x 9" drilled holes. The center of the hole shall be drilled a minimum of 4" from the face of the existing Structure. See Section 584 of the Standard Specifications.

PILE DATA
 Type : HP10 x 42
 Capacity : Driven to Refusal
 Length : 33'
 No Req'd. : 7 + 1 test pile

Min. Bar Lap
 #5 bars = 1'-8"



PLAN PILE CAP

Work this sheet with sheet 22 of 29.

SHEET TITLE		EAST ABUTMENT	
PROJECT	IL RTE. 32/33 OVER LITTLE WABASH RIVER	PROJECT NO.	02017
	F.A.P. RTE. 774 SECTION 107BY	SCALE	
	EFFINGHAM COUNTY	DATE	
	STATION 1011+50.17	DRAWN BY	TFG
	STRUCTURE NO. 025-0078	CHECKED BY	GJB/MCB
COOMBE-BLOXDORF P.C.		DRAWING NO.	21
Engineers / Land Surveyors			
Springfield, Illinois			
Design Firm License No. 184-002703			OF 29 SHTS