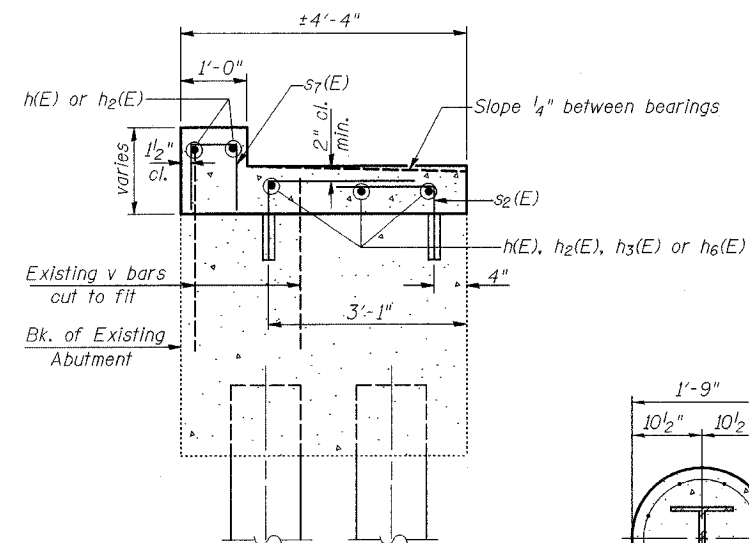


CONTRACT NO. 94827

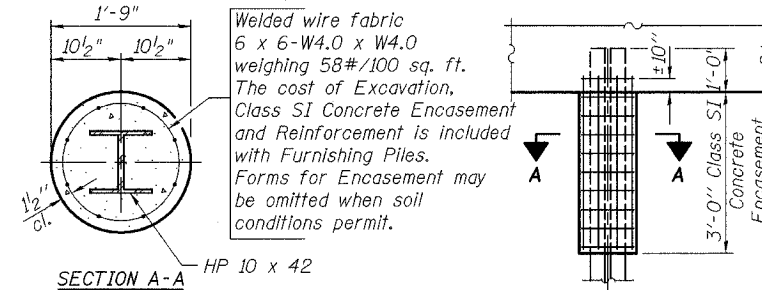
**BILL OF MATERIAL**

Bar	No.	Size	Length	Shape
h(E)	10	#5	19'-3"	
h <sub>2</sub> (E)	10	#5	29'-0"	
h <sub>3</sub> (E)	6	#5	19'-7"	
h <sub>4</sub> (E)	3	#5	8'-10"	
h <sub>5</sub> (E)	30	#5	12'-2"	
h <sub>6</sub> (E)	3	#5	8'-9"	
h <sub>7</sub> (E)	20	#5	9'-8"	
p <sub>1</sub> (E)	2	#7	20'-0"	
p <sub>2</sub> (E)	16	#7	5'-9"	
p <sub>4</sub> (E)	3	#7	21'-3"	
p <sub>5</sub> (E)	3	#7	18'-11"	
p <sub>6</sub> (E)	8	#7	20'-7"	
s <sub>2</sub> (E)	106	#4	3'-9"	
s <sub>3</sub> (E)	36	#4	15'-1"	
s <sub>4</sub> (E)	6	#4	16'-4"	
s <sub>5</sub> (E)	39	#4	5'-8"	
s <sub>6</sub> (E)	41	#5	6'-1"	
s <sub>7</sub> (E)	53	#5	2'-5"	
u <sub>1</sub> (E)	8	#6	9'-8"	
v <sub>1</sub> (E)	10	#5	16'-10"	
v <sub>2</sub> (E)	10	#5	14'-4"	
Structure Excavation	Cu. Yd.		183	
Concrete Structures	Cu. Yd.		46.9	
Reinforcement Bars Epoxy Coated	Lbs.		3790	
Furnishing Steel Piles HP10x42	Ft.		231	
Driving Steel Piles	Ft.		231	
Test Piles Steel HP10x42	Each		1	
Bar Splicers	Each		5	

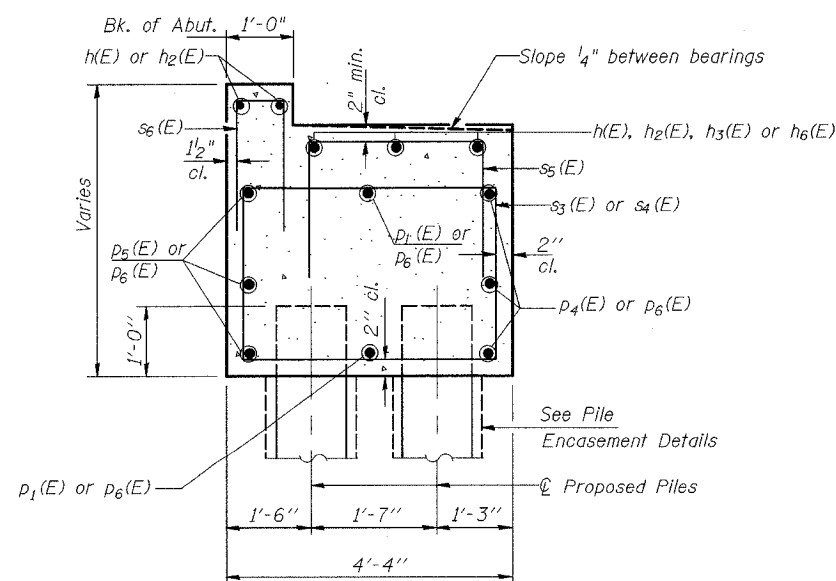
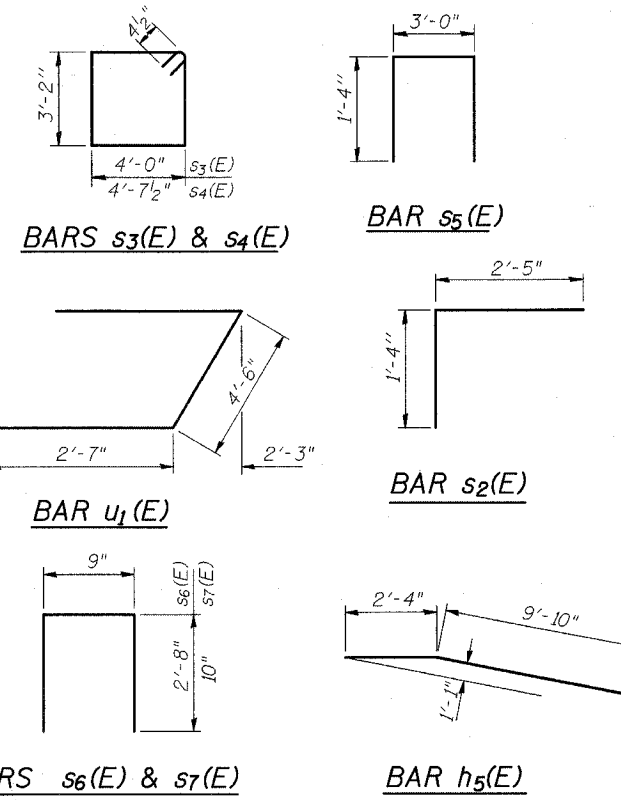
Reinforcement bars designated (E) shall be epoxy coated.



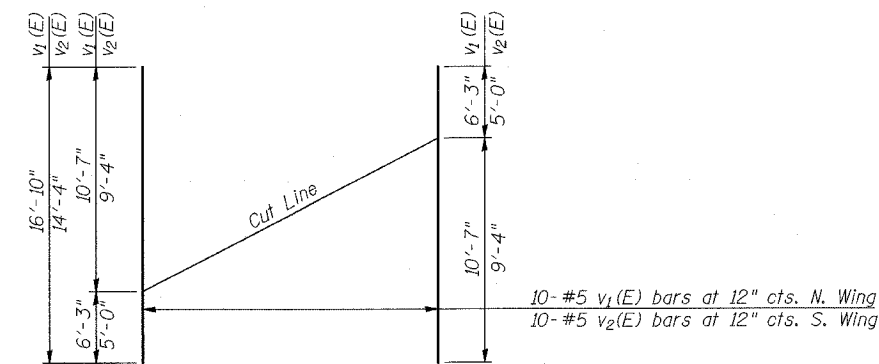
**SECTION B-B**



**PILE ENCASEMENT DETAIL**



**SECTION A-A**



**FIELD CUTTING DIAGRAM**

Order v<sub>1</sub>(E) and v<sub>2</sub>(E) bars full length. Cut as shown and use remainder of bars in opposite face.

Work this sheet with sheet 21 of 29.

SHEET TITLE		PROJECT NO.	
EAST ABUTMENT DETAILS		02017	
PROJECT	IL RTE. 32/33 OVER LITTLE WABASH RIVER	SCALE	
	F.A.P. RTE. 774 SECTION 107BY	DATE	
	EFFINGHAM COUNTY	DRAWN BY	TFG
	STATION 1011+50.17	CHECKED BY	GJB/MCB
	STRUCTURE NO. 025-0078	DRAWING NO.	
<b>COOMBE-BLOXDORF P.C.</b>		22	
Engineers/Land Surveyors Springfield, Illinois		OF 29 SHTS	
Design Firm License No. 184-002703			