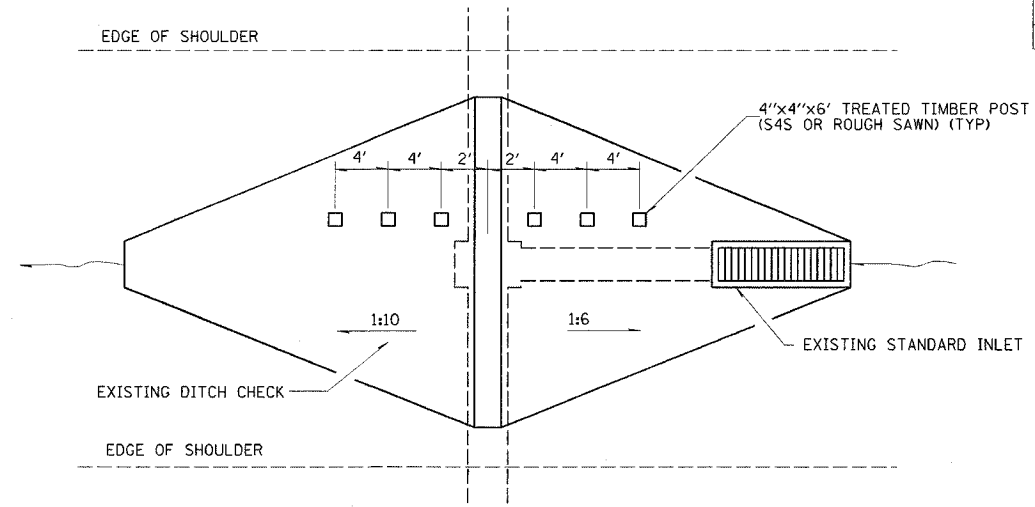
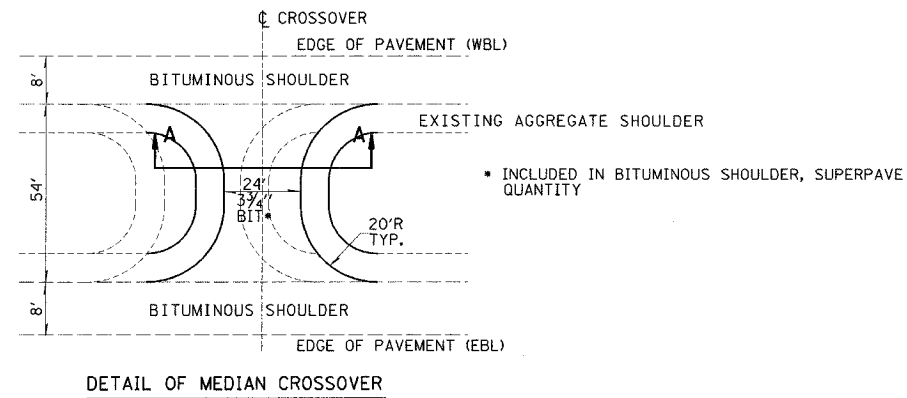
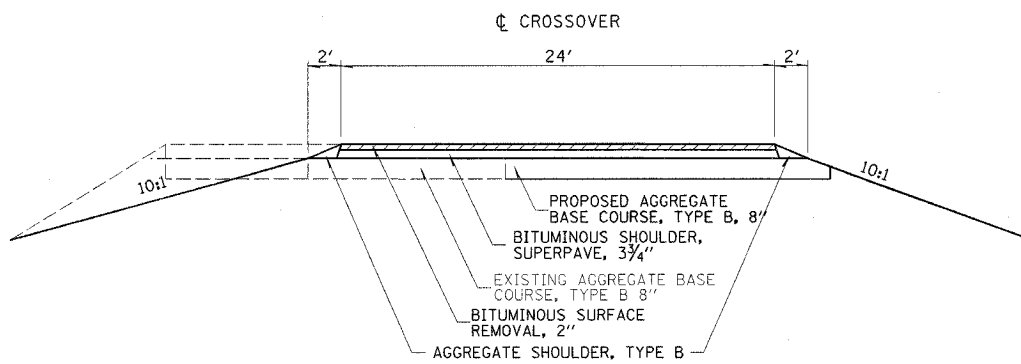
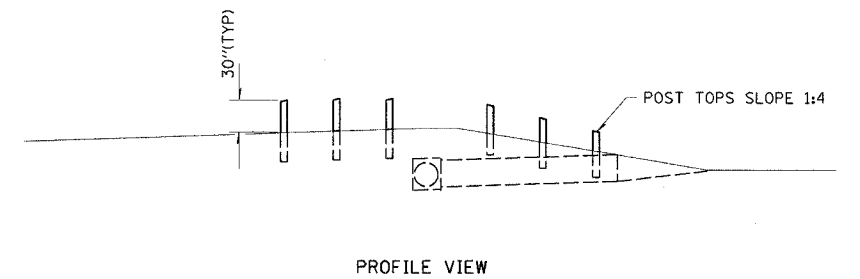
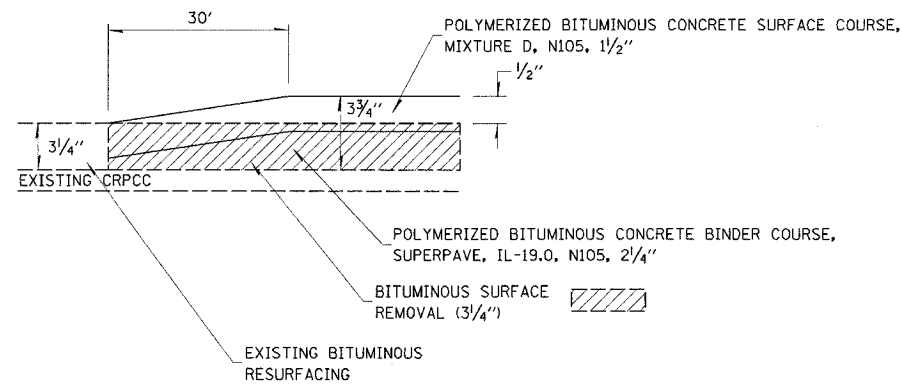


teasleyck
3/31/2005
c:\projects\94905d\04201p.dgn
RSD

FAI NO.	SECTION	COUNTY	TOTAL SHEETS	SHEET NO.
64	(41-TIRS-1	JEFFERSON	48	10
FED. ROAD DIST. NO. 7		ILLINOIS	FED. AID PROJECT NO.	
CONTRACT NO. 94905				



STATION	FURNISHED EXCAVATION CU. YD.	EARTH EXCAVATION CU. YD.
2178+07.5	18.5	12.0
2348+95	31.5	25.0
Total	50.0	37.0



STA 2178+07.5 SHIFT 10' TO EAST
STA 2348+95 SHIFT 18' TO WEST

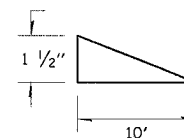
THE FOLLOWING QUANTITIES ARE TO BE PLACED WHERE SOIL HAS BEEN DISTURBED DUE TO SHIFTING THE LOCATIONS OF THE MEDIAN CROSSOVERS.

SEEDING CLASS 2	0.1 ACRES
NITROGEN FERTILIZER	9 LBS
PHOSPHORUS FERTILIZER NUTRIENT	9 LBS
POTASSIUM FERTILIZER NUTRIENT	9 LBS
AGRICULTURAL GROUND LIMESTONE	0.2 TONS
MULCH METHOD 2	0.1 ACRES

EASTBOUND	WESTBOUND
STA 2085+40.47 TO STA 2085+70.47	STA 2085+40.47 TO STA 2085+70.47
STA 2197+98 TO STA 2198+28	STA 2197+98 TO STA 2198+28
STA 2199+92 TO STA 2200+22	STA 2199+92 TO STA 2200+22
STA 2361+81.77 TO STA 2362+11.77	STA 2361+81.77 TO STA 2362+11.77

DETAIL OF WOOD POST BARRIER

LOCATION	EXISTING POST (EACH)	PROPOSED QUANTITY (EACH)
2085+75	4	6
2113+15	4	6
2163+50	4	6
2217+50	5	6
2227+94	7	6
2246+11	6	6
2263+30	7	6
2296+25	4	6
2328+90	5	6
2344+40	3	6
2356+15	5	6
TOTAL	54	66



EASTBOUND	WESTBOUND
STA 2085+40.47 TO STA 2085+50.47	STA 2085+40.47 TO STA 2085+50.47
STA 2198+18 TO STA 2198+28	STA 2198+18 TO STA 2198+28
STA 2199+92 TO STA 2200+02	STA 2199+92 TO STA 2200+02
STA 2362+01.77 TO STA 2362+11.77	STA 2362+01.77 TO STA 2362+11.77

REVISIONS	
NAME	DATE

ILLINOIS DEPARTMENT OF TRANSPORTATION

RESURFACING DETAILS

SCALE: VERT. HORIZ. DATE

DRAWN BY CHECKED BY