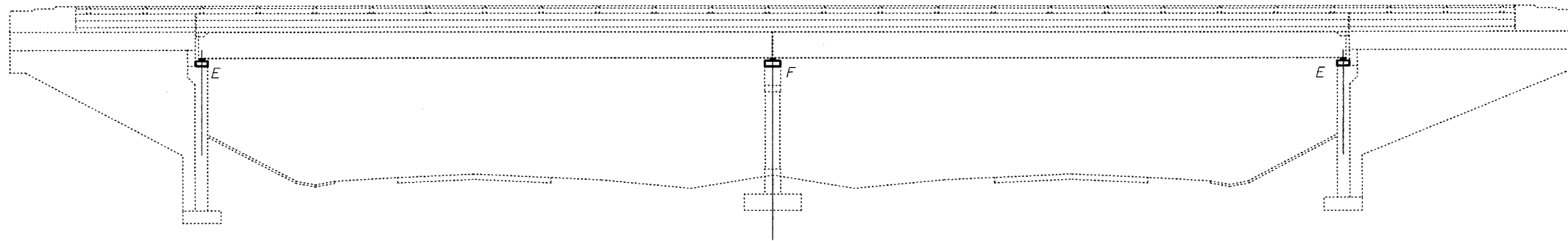


STATE OF ILLINOIS
DEPARTMENT OF TRANSPORTATION

ROUTE NO.	SECTION	COUNTY	TOTAL SHEETS	SHEET NO.	SHEET NO. 1
		JEFFERSON	48	34	5 SHEETS
FED. ROAD DIST. NO. 7	ILLINOIS	FED. AID PROJECT			

Contract No. 94905



ELEVATION

NOTES

All structural steel shall conform to AASHTO Classification M-270 Gr. 36, unless otherwise noted.

Reinforcement bars shall conform to the requirements of AASHTO M 31 or M 322 Grade 60.

Plan dimensions and details relative to existing structure have been taken from existing plans and are subject to nominal construction variations. It shall be the Contractor's responsibility to verify such dimensions and details in the field and make necessary approved adjustments prior to construction or ordering of materials. Such variations shall not be cause for additional compensation for a change in the scope of the work, however, the Contractor will be paid for the quantity actually furnished at the unit price bid for the work.

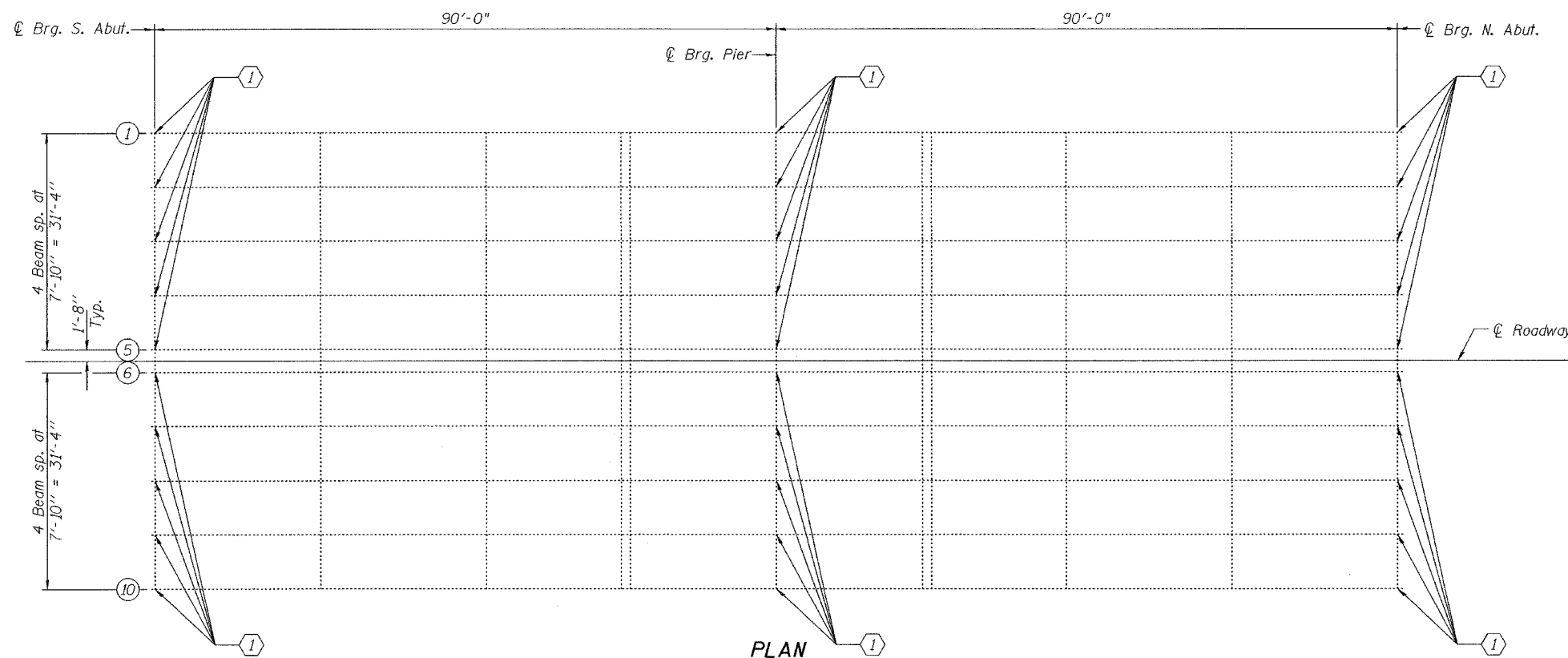
The existing structural steel coating contains lead. The Contractor should take appropriate precautions to deal with the presence of lead on this project. Existing structural steel that will be in contact with new structural steel shall be cleaned and painted prior to erection as required by the Special Provision "Cleaning and Painting Contact Surface Areas of Existing Steel Structures".

All structural steel shall be shop painted with the inorganic zinc rich primer per AASHTO M300, Type 1. Cost included with Furnishing and Erecting Structural Steel.

Cost of removal and/or re-installation of all members necessary to complete the work as detailed on the plans and as specified in the Special Provisions shall be included in the cost of Furnishing and Erecting Structural Steel.

Bearing seat surfaces shall be constructed or adjusted to the designated elevations within a tolerance of 1/8 inch. Adjustment shall be made either by grinding the surface or by shimming the bearing. Two 1/8" adjusting shims, of the dimensions of the bottom bearing plate, shall be provided for each bearing in addition to all other plates or shims. For Type I Elastomeric Bearings, two 1/8" adjusting shims shall be provided for each bearing and placed as detailed.

If the analysis submitted to the Contractor for the jacking/temporary support system to be used shows temporary stiffeners are required to prevent web crippling or buckling, the stiffeners shall be steel and bolted to the web. If stiffeners are not required, hardwood timbers shall be installed tightly between the top and bottom flange to prevent flange rotation.



PLAN

① Existing bearings to be removed and replaced.

BILL OF MATERIAL

ITEM	UNIT	QUANTITY
Concrete Structures	Cu. Yd.	7.0
Furnishing and Erecting Structural Steel	Pound	4170
Reinforcement Bars, Epoxy Coated	Pound	1580
Elastomeric Bearing Assembly, Type I	Each	20
Jacking and Cribbing	LS	0.7

DESIGNED	Adna T. Holloway
CHECKED	Victor H. Veliz
DRAWN	balva
CHECKED	VHV ATH

APRIL 14, 2005
 EXAMINED *John A. Morris*
 ENGINEER OF STRUCTURAL SERVICES
 PASSED *Ralph E. Adams*
 ENGINEER OF BRIDGES AND STRUCTURES



EXPIRES 11-30-2006

PLAN AND ELEVATION
CH 9 OVER FAI 64
JEFFERSON COUNTY
SN 041-0069