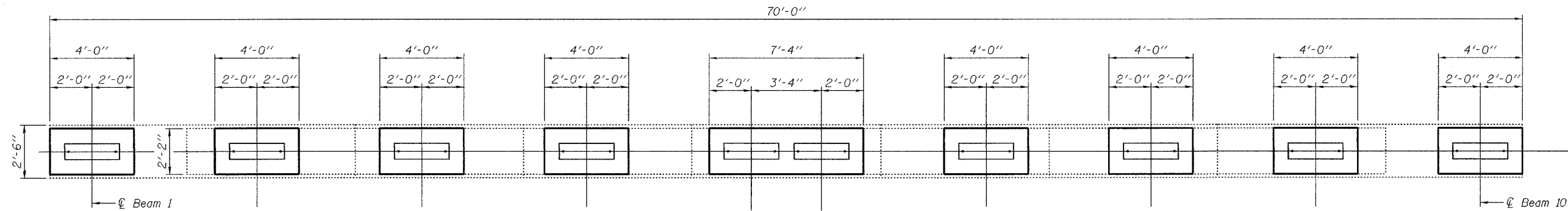


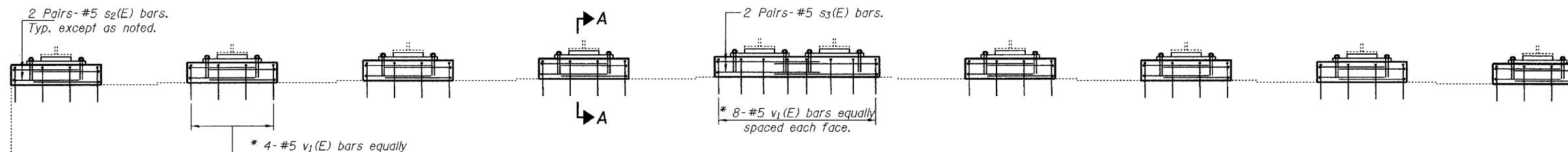
STATE OF ILLINOIS
DEPARTMENT OF TRANSPORTATION

ROUTE NO.	SECTION	COUNTY	TOTAL SHEETS	SHEET NO.
		JEFFERSON	48	38
FED. ROAD DIST. NO. 7	ILLINOIS	FED. AID PROJECT-		

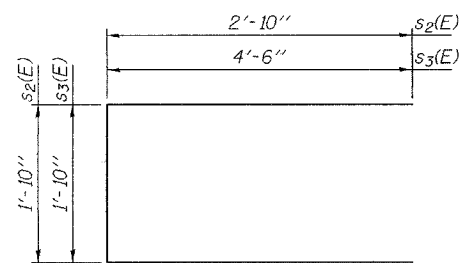
SHEET NO. 5
5 SHEETS
Contract No. 94905



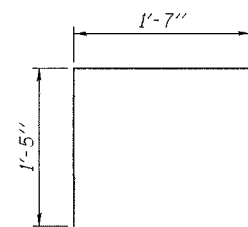
PIER PLAN
Looking North



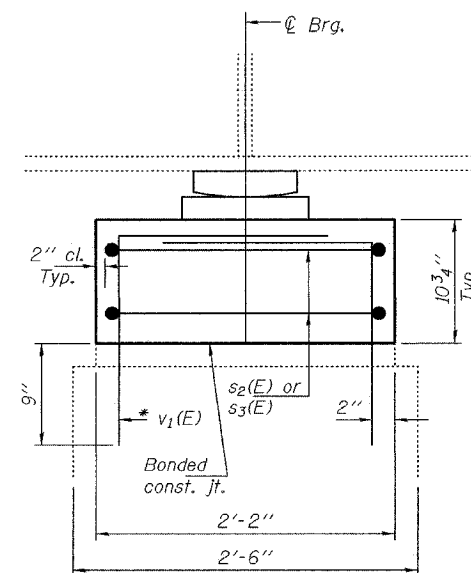
PIER ELEVATION



BARS $s_2(E)$ & $s_3(E)$



BAR $v_1(E)$



SECTION A-A

BILL OF MATERIAL

Bar	No.	Size	Length	Shape
$s_2(E)$	32	#5	7'-6"	□
$s_3(E)$	4	#5	10'-10"	□
$v_1(E)$	80	#5	3'-0"	Γ
Concrete Structures			Cu. Yd.	2.8
Reinforcement Bars, Epoxy Coated			Lbs.	550

Reinforcement bars designated (E) shall be epoxy coated.

* Epoxy grout $v_1(E)$ bars in 9" min. holes according to Article 584 of the Standard Specifications.

REPAIR DETAILS
CH 9 OVER FAI 64
JEFFERSON COUNTY
SN 041-0069

DESIGNED	ATH
CHECKED	VHV
DRAWN	baliva
CHECKED	ATH VHV

APRIL 13, 2005
EXAMINED *John A. Morris*
ENGINEER OF STRUCTURAL SERVICES
PASSED *Ralph E. Anderson*
ENGINEER OF BRIDGES AND STRUCTURES