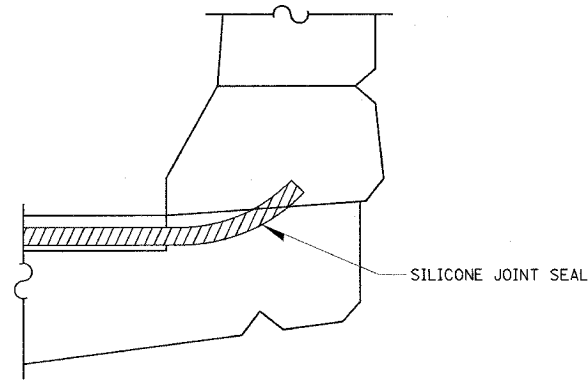


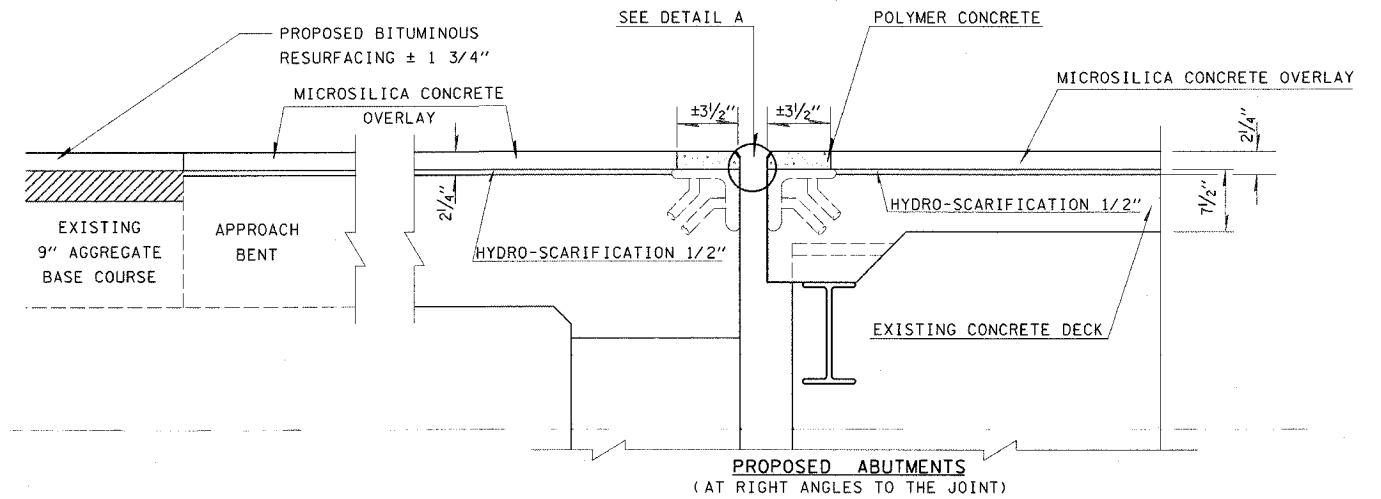
teasleyck
 3/31/2005
 c:\projects\94905d\04201p.dgn
EXJNT-80

FAI RTL.	SECTION	COUNTY	TOTAL SHEETS	SHEET NO.
64	(41-7)RS-1	JEFFERSON	40	43
FED. ROAD DIST. NO. 7		ILLINOIS	FED. AID PROJECT NO.	

CONTRACT NO. 94905

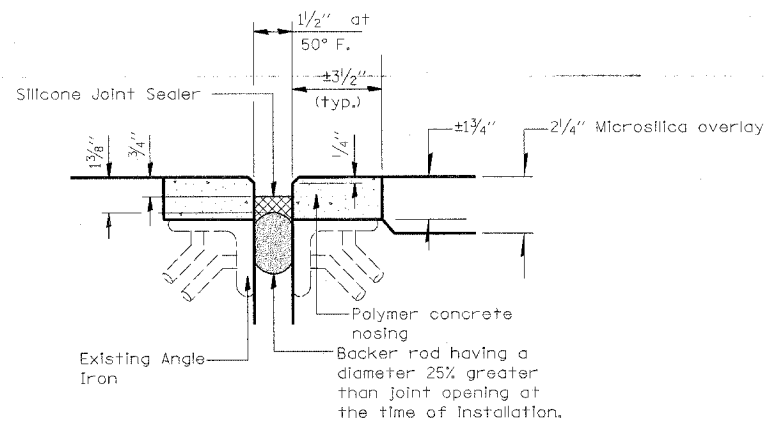


**TYPICAL END OF SEAL TREATMENT
 WHEN REPLACING NEOPRENE JOINT**

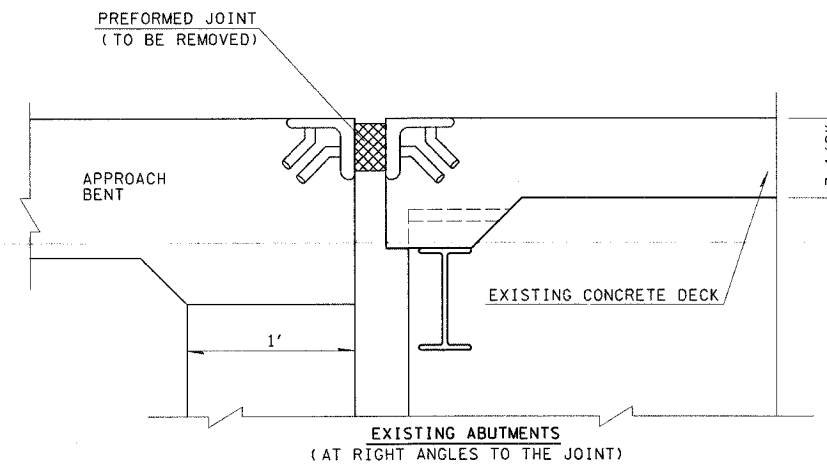


**PROPOSED ABUTMENTS
 (AT RIGHT ANGLES TO THE JOINT)**

NOTE: SURFACE OF EXISTING ANGLE
 IRON EXPANSION DAMS TO BE
 CLEANED TO THE SATISFACTION
 OF THE ENGINEER PRIOR TO
 PLACEMENT OF POLYMER CONCRETE.
 COST INCLUDED IN POLYMER CONCRETE.



**SILICONE JOINT SEALER DETAIL
 DETAIL A**



**EXISTING ABUTMENTS
 (AT RIGHT ANGLES TO THE JOINT)**

REVISIONS	
NAME	DATE

ILLINOIS DEPARTMENT OF TRANSPORTATION
**EXPANSION JOINT DETAILS
 BOTH ABUTMENTS
 S.N. 041-0080**

SCALE: VERT.
 HORIZ.
 DATE

DRAWN BY
 CHECKED BY