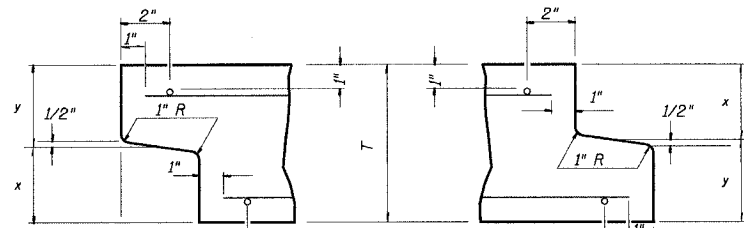


F.A.P. RTE.	SECTION	COUNTY	TOTAL SHEETS	SHEET NO.
750	(112,113) Y, WRS	FAYETTE	159	29
STA.	TO STA.			
FED. ROAD DIST. NO. 7	ILLINOIS	FED. AID PROJECT		

CONTRACT NO. 94927

DETAIL OF PRECAST CONCRETE BOX CULVERT M259M

AASHTO DESIGNATION M259M
(ASTM DESIGNATION C-789M)
DESIGN LOADING = MS18



DETAIL A
(TYP. INLET END)

DETAIL B
(TYP. OUTLET END)

END DETAIL IS SUBJECT TO VARIATION BY FABRICATOR

NOTE: INLET AND OUTLET ENDS SHALL BE COMPATIBLE.

CULVERT SIZE	DIMENSIONS			
	T (INCHES)	A FT-IN	B FT-IN	C (INCHES)
2x2	4	2-8	2-8	4
3x2	4	3-8	2-8	4
3x3	4	3-8	3-8	4
4x2	5	4-10	2-10	5
4x3	5	4-10	3-10	5
4x4	5	4-10	4-10	5
5x2	6	6-0	3-0	6
5x3	6	6-0	4-0	6
5x4	6	6-0	5-0	6
5x5	6	6-0	6-0	6
6x2	7	7-2	3-2	7
6x3	7	7-2	4-2	7
6x4	7	7-2	5-2	7
6x5	7	7-2	6-2	7
6x6	7	7-2	7-2	7
7x4	8	8-4	5-4	8
7x5	8	8-4	6-4	8
7x6	8	8-4	7-4	8
7x7	8	8-4	8-4	8
8x4	8	9-4	5-4	8
8x5	8	9-4	6-4	8
8x6	8	9-4	7-4	8
8x7	8	9-4	8-4	8
8x8	8	9-4	9-4	8
9x5	9	10-6	6-6	9
9x6	9	10-6	7-6	9
9x7	9	10-6	8-6	9
9x8	9	10-6	9-6	9
9x9	9	10-6	10-6	9
10x5	10	11-8	6-8	10
10x6	10	11-8	7-8	10
10x7	10	11-8	8-8	10
10x8	10	11-8	9-8	10
10x9	10	11-8	10-8	10
10x10	10	11-8	11-8	10
11x4	11	12-10	5-10	11
11x6	11	12-10	7-10	11
11x8	11	12-10	9-10	11
11x10	11	12-10	11-10	11
11x11	11	12-10	12-10	11
12x4	12	14-0	6-0	12
12x6	12	14-0	8-0	12
12x8	12	14-0	10-0	12
12x10	12	14-0	12-0	12
12x12	12	14-0	14-0	12

GENERAL NOTES

SHOP PLANS FOR THE REINFORCEMENT SHALL BE SUBMITTED IN ACCORDANCE WITH THE REQUIREMENTS OF ARTICLE 504.04(d) OF THE STANDARD SPECIFICATIONS.

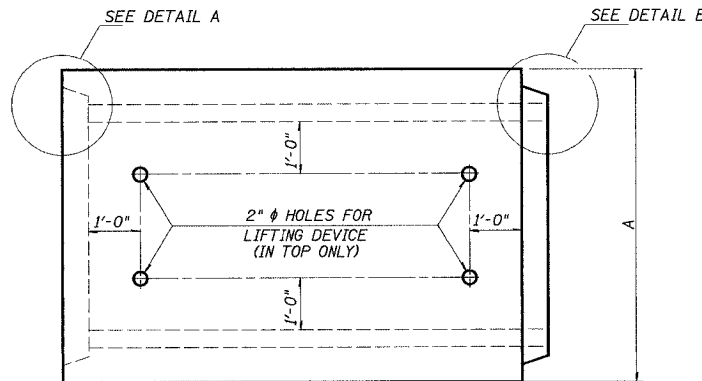
MINIMUM CONCRETE STRENGTH SHALL BE 5000 PSI AFTER 28 DAYS.

THE JOINTS OF THE PRECAST BOX SECTIONS SHALL BE SEALED IN ACCORDANCE WITH ARTICLE 542.04(d) OF THE STANDARD SPECIFICATIONS FOR ROAD AND BRIDGE CONSTRUCTION.

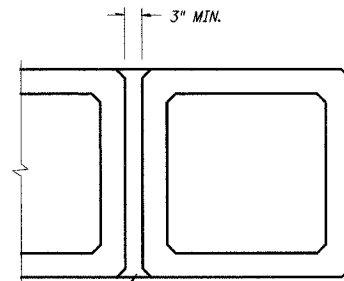
THE TERMS A_{st} , A_{sw} , AND A_{s4} DENOTE THE REQUIRED STEEL AREAS FOR REINFORCEMENT AS SPECIFIED IN AASHTO M259M. REINFORCEMENT SHALL BE WELDED WIRE FABRIC CONFORMING TO AASHTO M55M.

LIFTING HOLES SHALL BE FILLED WITH CONCRETE PLUGS AND MASTIC AFTER THE BOX SECTIONS ARE IN PLACE.

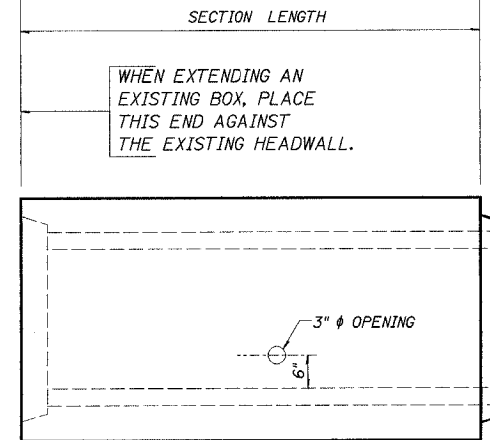
DRAINAGE OPENINGS SHALL BE PROVIDED IN ACCORDANCE WITH ARTICLE 503.12 OF THE STANDARD SPECIFICATIONS. LOCATION AND SPACING OF THE OPENINGS SHALL BE SHOWN ON THE SHOP DRAWINGS.



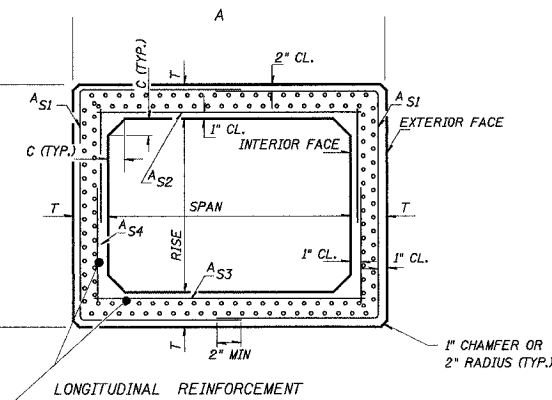
PLAN
LOCATION OF LIFTING HOLES MAY BE VARIED AS NEEDED TO CLEAR REINFORCEMENT.



CLASS SI CONCRETE
MULTIPLE UNIT PLACEMENT



ELEVATION



CROSS SECTION

REVISIONS	
NAME	DATE

ILLINOIS DEPARTMENT OF TRANSPORTATION
DETAIL OF PRECAST CONCRETE BOX CULVERT SECTION
F.A.P. 750 (IL. RTE. 185)
SECTION 112,113 - FAYETTE CO.

SCALE: DRAWN BY CRO
DATE JANUARY 19, 2005 CHECKED BY RCY

DATE: _____ BY: _____
PLAN NO. _____
SERVEDED BY: _____
NOTE BOOK NO. _____
REVISIONS: _____
CHECKED BY: _____
DATE: _____

DATE: _____ BY: _____
PLAN NO. _____
SERVEDED BY: _____
NOTE BOOK NO. _____
REVISIONS: _____
CHECKED BY: _____
DATE: _____

J:\2003\030045\0002\civil\phase 2\kcp.dgn vp2.750_detail.sheets.dgn 08:24:40 AM 01/19/2005