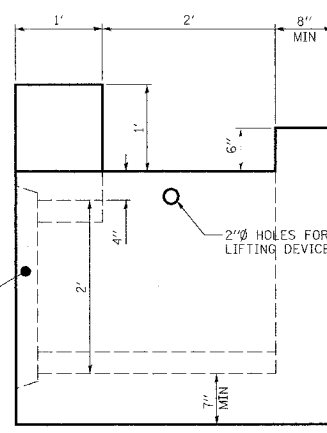
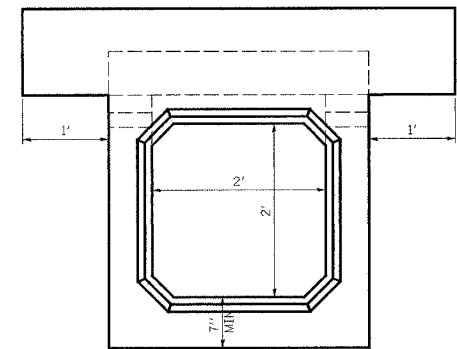


F.A.P. RTE.	SECTION	COUNTY	TOTAL SHEETS	SHEET NO.
750	(112,113) Y, WRS	FAYETTE	159	31
STA.		TO STA.		
FED. ROAD DIST. NO. 7		ILLINOIS FED. AID PROJECT		
CONTRACT NO. 94927				

DETAIL OF PRECAST CONCRETE BOX CULVERT DROP BOX

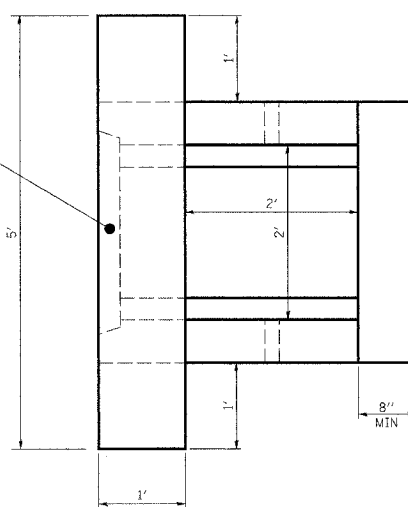


SIDE VIEW

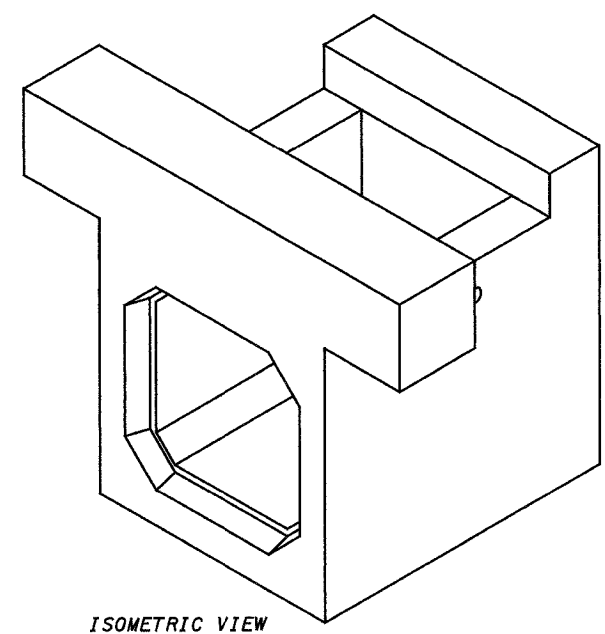


END VIEW

END CONNECTION TO FIT
PRECAST BOX CULVERT



PLAN



ISOMETRIC VIEW

GENERAL NOTES

- SHOP PLANS FOR THE REINFORCEMENT SHALL BE SUBMITTED IN ACCORDANCE WITH THE REQUIREMENTS OF ARTICLE 504.04(a) OF THE STANDARD SPECIFICATIONS.
- MINIMUM CONCRETE STRENGTH SHALL BE 5000 PSI AFTER 28 DAYS.
- THE JOINTS OF THE PRECAST BOX SECTIONS SHALL BE SEALED IN ACCORDANCE WITH ARTICLE 542.04(d) OF THE STANDARD SPECIFICATIONS FOR ROAD AND BRIDGE CONSTRUCTION.
- LIFTING HOLES SHALL BE FILLED WITH CONCRETE PLUGS AND MASTIC AFTER THE END SECTIONS ARE IN PLACE.

PLAN	SERIALIZED	DATE
	BY	
	CHECKED	
	DATE	
	FILE NAME	

PLAN	SERIALIZED	DATE
	BY	
	CHECKED	
	DATE	
	FILE NAME	

REVISIONS	
NAME	DATE

ILLINOIS DEPARTMENT OF TRANSPORTATION
**DETAILS OF PRECAST
CONCRETE BOX CULVERT
DROP BOX**
F.A.P. 750 (IL. RTE. 185)
SECTION 112,113 - FAYETTE CO.

SCALE: DRAWN BY CRO

DATE JANUARY 19, 2005 CHECKED BY RCY

08/24/05 01/14/2005 J:\2003\030045\0002\civil\pbase 2 ktd\cgm\p2.750-detail.sheeta.dgn