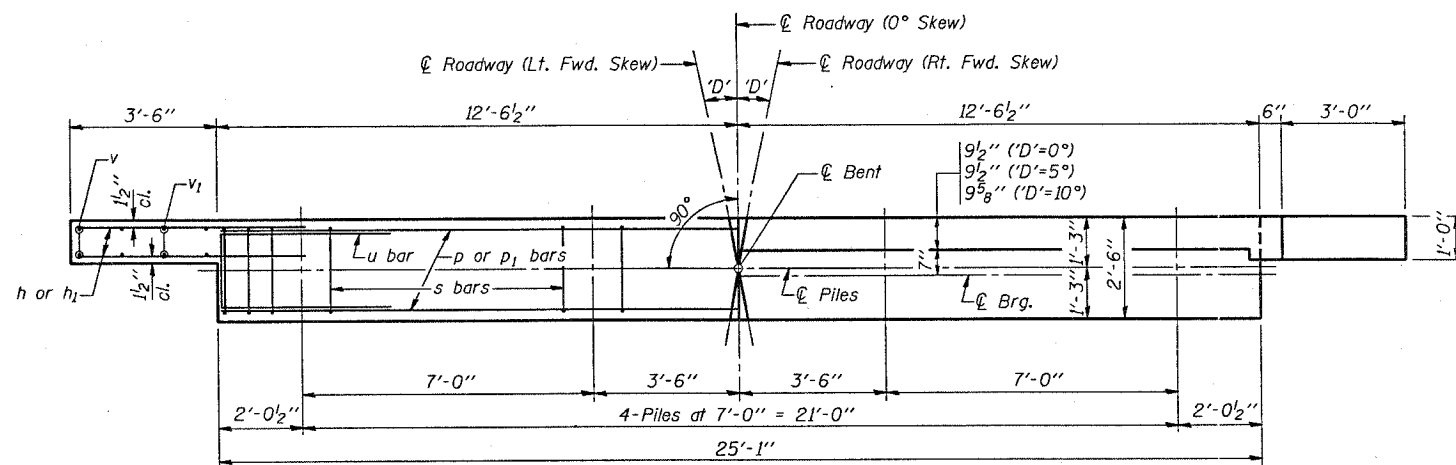
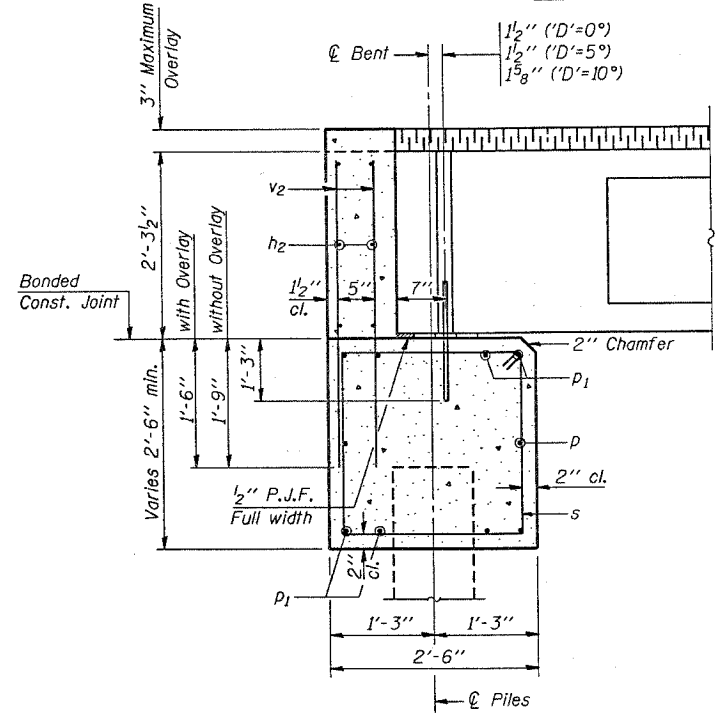


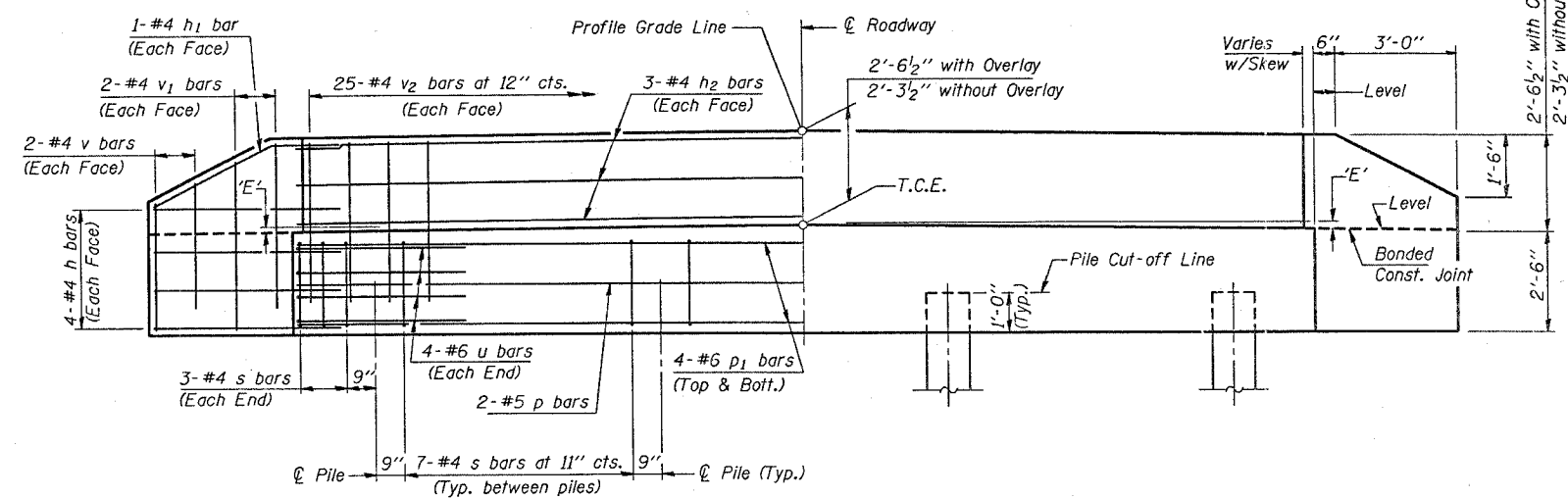
FILE	SECTION	COUNTY	TOTAL SHEETS	SHEET NO.
12.5	04-03111-00-BR	WARSAW	13	9
FILE NO. DIST. NO. 7		DESIGNED	FILE AND PROJECT NO.	



PLAN
(D' = Designated Skew Angle)



SECTION THRU ABUTMENT
(At Right Angles)



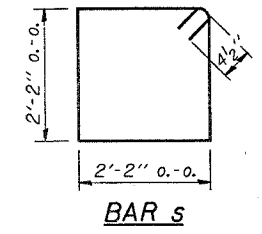
ELEVATION

DIMENSION 'E'

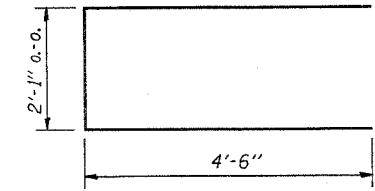
GRADE	'D'=0°		'D'=5°		'D'=10°	
	UPGRADE END	DOWNGRADE END	UPGRADE END	DOWNGRADE END	UPGRADE END	DOWNGRADE END
0%	2 ³ / ₈ "	2 ³ / ₈ "	2 ³ / ₈ "	2 ³ / ₈ "	2 ³ / ₈ "	2 ³ / ₈ "
Over 0% to 1%	2 ³ / ₈ "	2 ³ / ₈ "	2 ¹ / ₄ "	2 ³ / ₈ "	2 ⁵ / ₈ "	2 ¹ / ₂ "
Over 1% to 2%	2 ³ / ₈ "	2 ³ / ₈ "	2 ¹ / ₈ "	2 ¹ / ₂ "	1 ⁷ / ₈ "	2 ³ / ₄ "
Over 2% to 3%	2 ³ / ₈ "	2 ³ / ₈ "	2"	2 ⁵ / ₈ "	1 ⁵ / ₈ "	3"
Over 3% to 4%	2 ³ / ₈ "	2 ³ / ₈ "	1 ⁷ / ₈ "	2 ³ / ₄ "	1 ³ / ₈ "	3 ¹ / ₄ "

NOTES

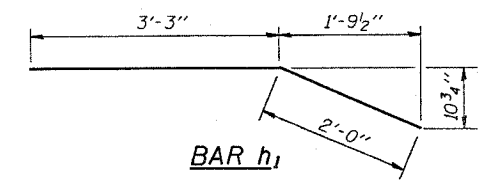
- The Backwall and the portion of the Wingwalls above the bonded construction joint shall be cast against the in-place beam.
- Reinforcement bars shall conform to A.A.S.H.T.O. M-31, M-42 or M-53, Grade 60.



BAR s



BAR u



BAR h1

BILL OF MATERIAL FOR ONE ABUTMENT

Bar	No.	Size	Length	Shape
h	16	#4	5'-0"	—
h1	4	#4	5'-3"	—
h2	6	#4	24'-9"	—
p	2	#5	24'-9"	—
p1	8	#6	24'-9"	—
s	27	#4	9'-5"	□
u	8	#6	11'-1"	□
v	8	#4	3'-2"	—
v1	8	#4	4'-2"	—
v2	50	#4	3'-11"	—
Concrete Structures			9.1 Cu. Yds.	
Reinforcement Bars			990 Lbs.	

MAXIMUM PILE LOADS

SPAN	TONS
40'	34
50'	38
60'	43

DESIGN STRESSES

f'c = 3,500 psi
fy = 60,000 psi

**P.P.C. DECK BEAMS
PILE BENT ABUTMENT**

24' RDWY.	27" BMS. 'D'=0°, 5° OR 10°
STANDARD CA-2427-10	

Illinois Department of Transportation
PASSED November 1, 1995
Raj D. Kaper
Engineer of Bridge Design
APPROVED November 1, 1995
Ralph E. Anderson
Engineer of Bridges and Structures