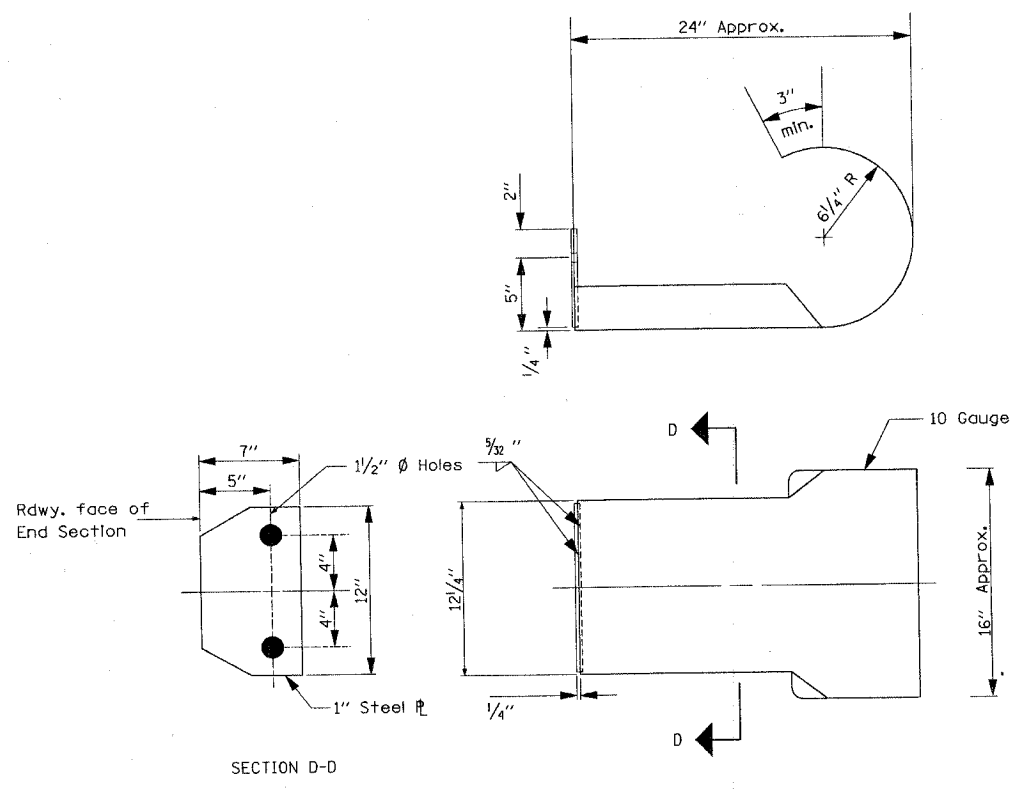


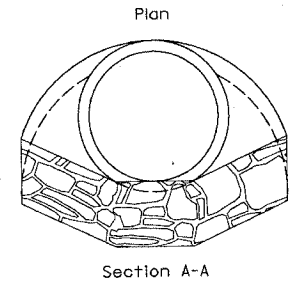
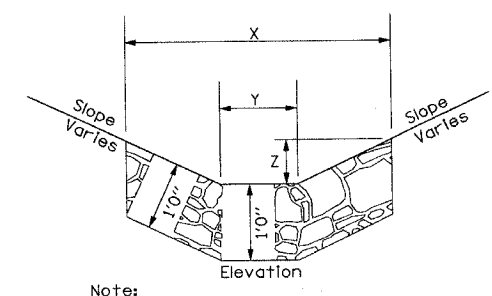
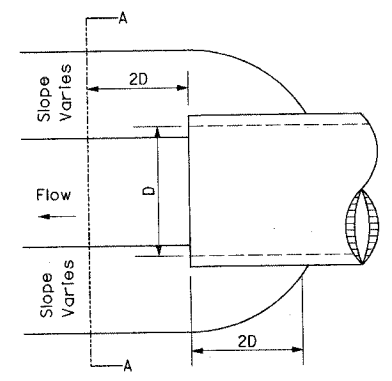
ROUTE	SECTION	COUNTY	TOTAL SHEETS	SHEET NO.
TR 125	04-0311-00-BR	WABASH	13	13
FED. ROAD DIST. NO. 7			ILLINOIS	FED. AID PROJECT

95419

CURLED END SECTION DETAIL



STONE RIPRAP DITCH DESIGN



Note: For placement, quality gradation and other miscellaneous requirements for stone riprap ditch-see special provisions.

Note:

Bottom of Ditch	Slope		
	1/2:1	2:1	3:1
2 ft.	X= 5 ft Y= 2 ft Z= 1 ft 0.40	6 ft 2 ft 1 ft 0.48	8 ft 2 ft 1 ft 0.62 ton/lin. ft.

3 ft.	X= 6 ft Y= 3 ft Z= 1 ft 0.48	7 ft 3 ft 1 ft 0.56	9 ft 3 ft 1 ft 0.70 ton/lin. ft.
-------	---------------------------------------	------------------------------	---

4 ft.	X= 7 ft Y= 3 ft Z= 1 ft 0.56	8 ft 3 ft 1 ft 0.64	10 ft 3 ft 1 ft 0.78 ton/lin. ft.
-------	---------------------------------------	------------------------------	--