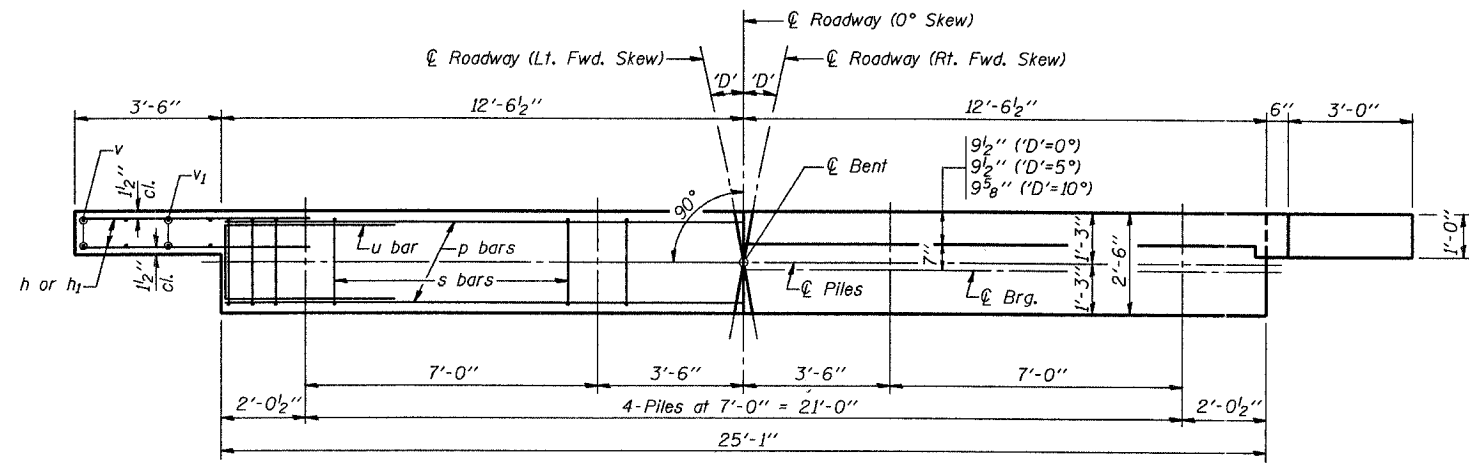
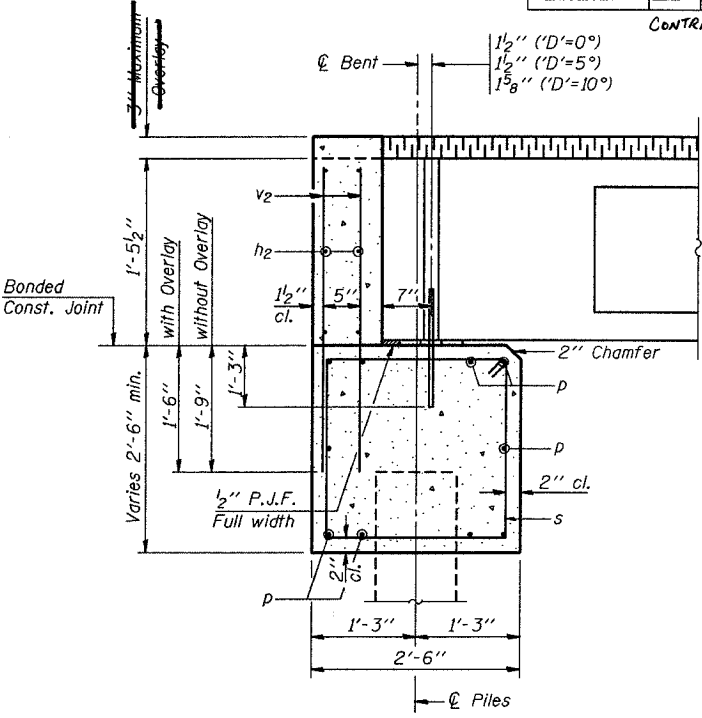


REL.	SECTION	COUNTY	TOTAL SHEETS	SHEET NO.
T.R. 274	03-10120-00-BR 03-18116-00-BR	FAYETTE	14	9

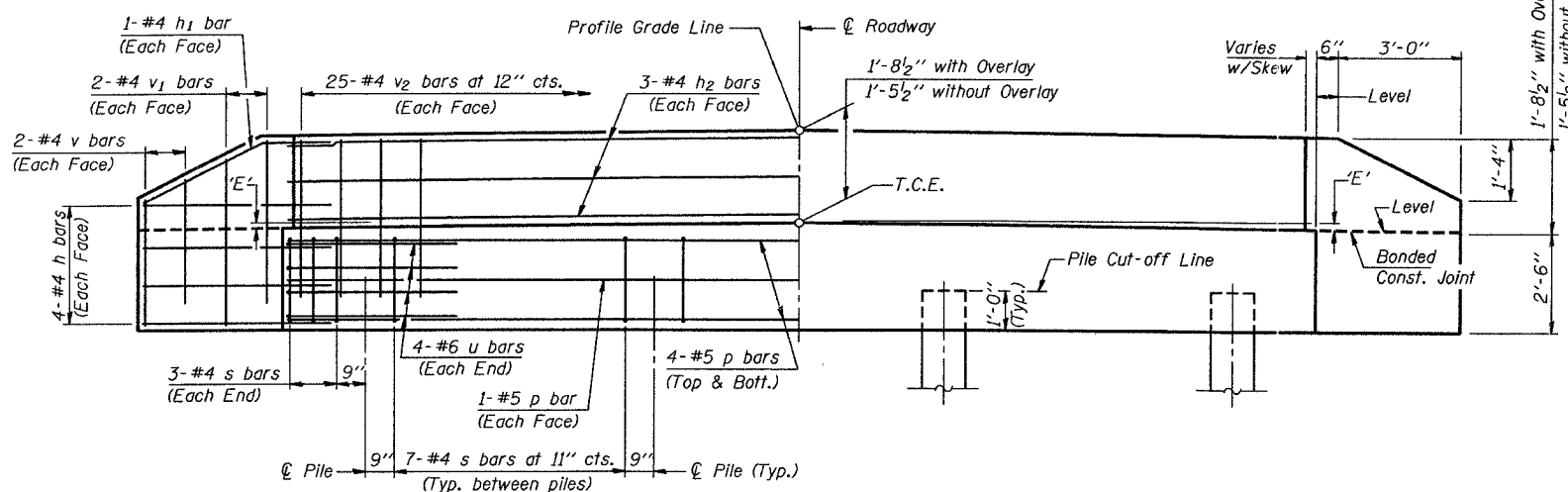
CONTRACT No. 95427



PLAN
('D' = Designated Skew Angle)



SECTION THRU ABUTMENT
(At Right Angles)



ELEVATION

DIMENSION 'E'

GRADE	'D'=0°		'D'=5°		'D'=10°	
	UPGRADE END	DOWNGRADE END	UPGRADE END	DOWNGRADE END	UPGRADE END	DOWNGRADE END
0%	2 3/8"	2 3/8"	2 3/8"	2 3/8"	2 3/8"	2 3/8"
Over 0% to 1%	2 3/8"	2 3/8"	2 1/4"	2 3/8"	2 1/2"	2 1/2"
Over 1% to 2%	2 3/8"	2 3/8"	2 1/8"	2 1/2"	1 7/8"	2 3/4"
Over 2% to 3%	2 3/8"	2 3/8"	2"	2 5/8"	1 5/8"	3"
Over 3% to 4%	2 3/8"	2 3/8"	1 7/8"	2 3/4"	1 3/8"	3 1/4"

NOTES

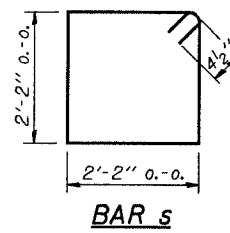
- The Backwall and the portion of the Wingwalls above the bonded construction joint shall be cast against the in-place beam.
- Reinforcement bars shall conform to A.A.S.H.T.O. M-31, M-42 or M-53, Grade 60.

MAXIMUM PILE LOADS

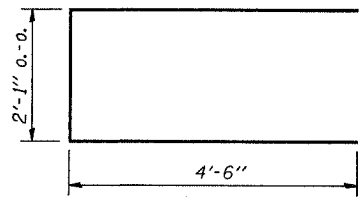
SPAN	TONS
25'	25
30'	26
35'	28
40'	30

DESIGN STRESSES

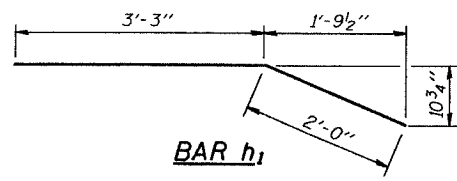
f'c = 3,500 psi
fy = 60,000 psi



BAR s



BAR u



BAR h1

BILL OF MATERIAL FOR ONE ABUTMENT

Bar	No.	Size	Length	Shape
h	16	#4	5'-0"	—
h1	4	#4	5'-3"	—
h2	6	#4	24'-9"	—
p	10	#5	24'-9"	—
s	27	#4	9'-5"	□
u	8	#6	11'-1"	□
v	8	#4	2'-6"	—
v1	8	#4	3'-5"	—
v2	50	#4	3'-1"	—
Concrete Structures			8.3 Cu. Yds.	
Reinforcement Bars			860 Lbs.	

Illinois Department of Transportation
PASSED November 1, 1995
Proj. D. Kepp
Engineer of Bridge Design
APPROVED November 1, 1995
Ralph E. Anderson
Engineer of Bridges and Structures

P.P.C. DECK BEAMS
PILE BENT ABUTMENT
24' RDWY. 17" BMS. 'D'=0°, 5° OR 10°
STANDARD CA-2417-10