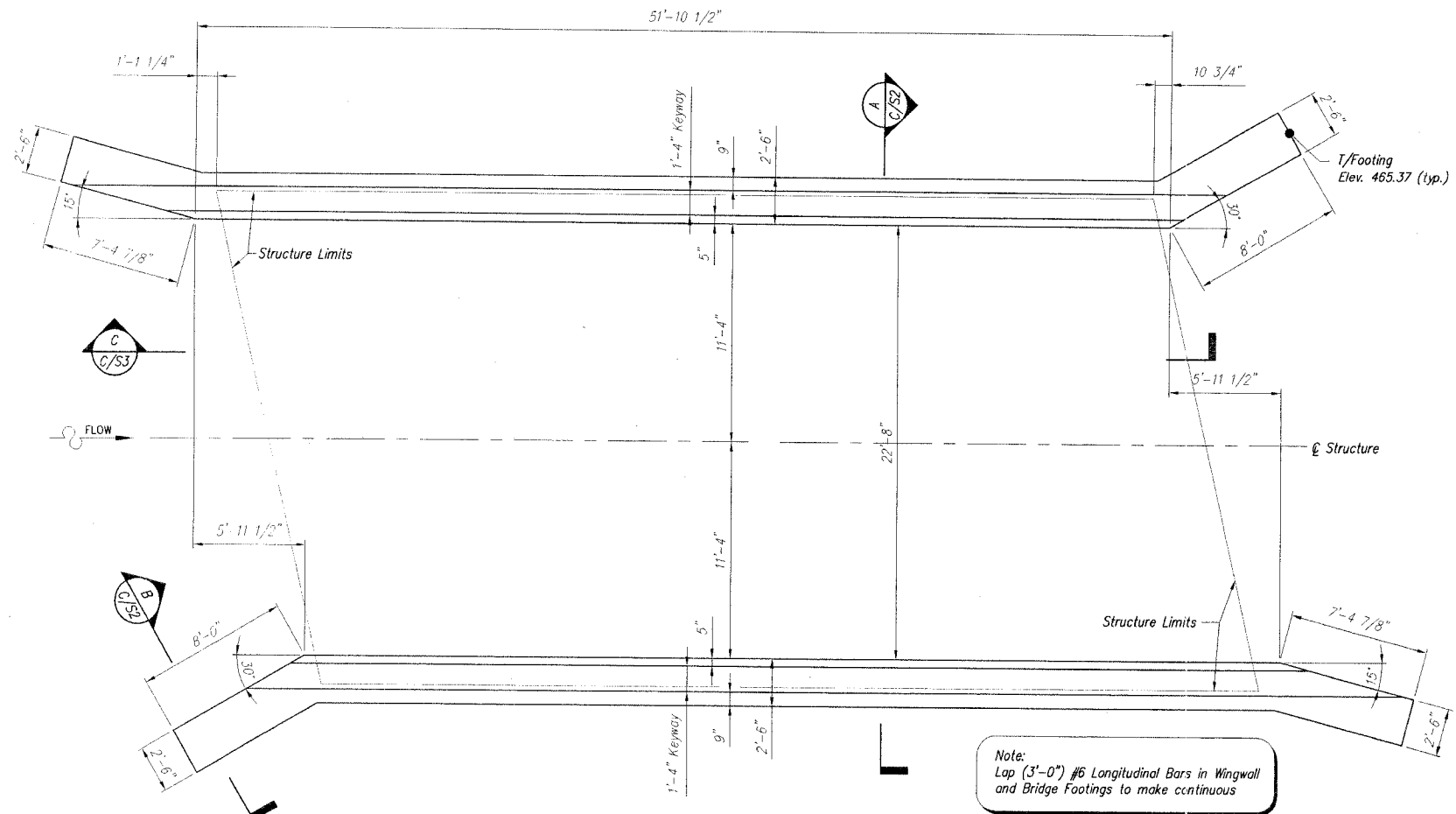


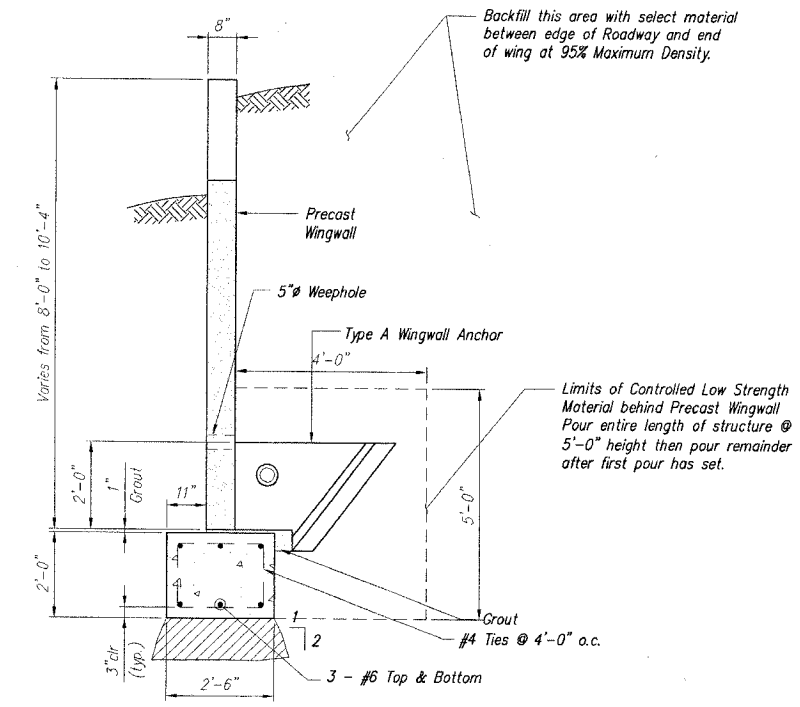
ROUTE	SECTION	COUNTY	TOT. SHTS.	SHT.
C.H. 27	03-00180-00-BR	JEFFERSON	B	4
JEFFERSON COUNTY ROAD DISTRICT				

CONTRACT 95432



**FOUNDATION PLAN**

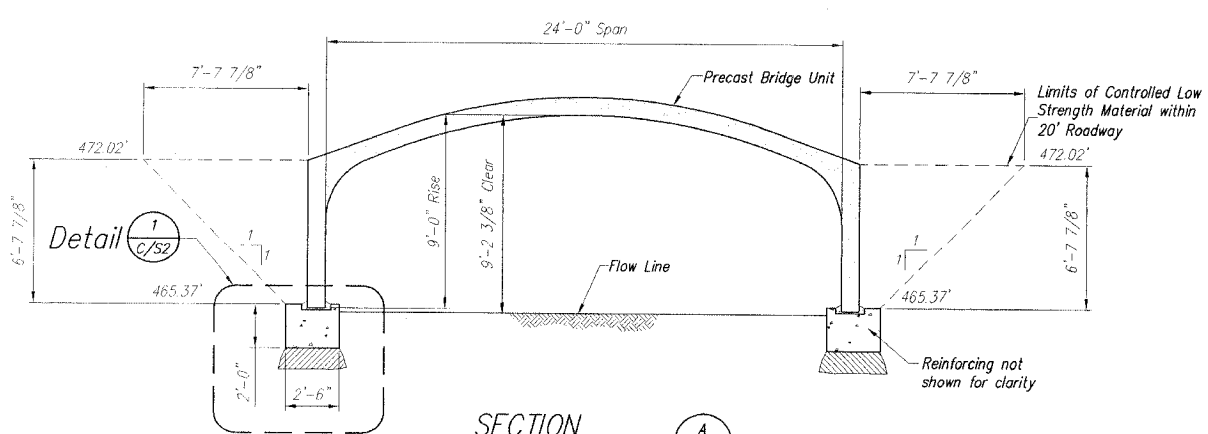
Note:  
Lap (3'-0") #6 Longitudinal Bars in Wingwall and Bridge Footings to make continuous



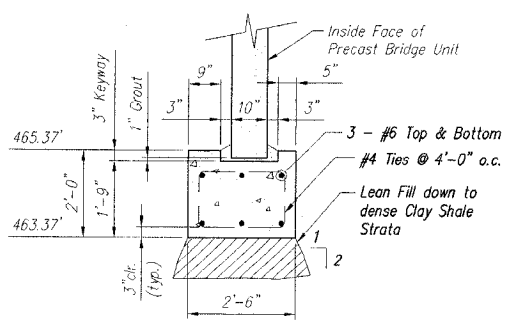
**SECTION B**

**MATERIALS**

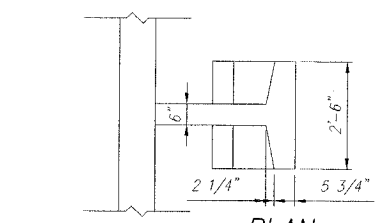
Precast units shall be constructed and installed in accordance with Manufacturer's Specifications. Concrete for Footings and Wingwalls shall have a minimum compressive strength of 4,000psi. Reinforcing steel for Footings and Wingwalls shall conform to ASTM A615, A616, or A617-Grade 60



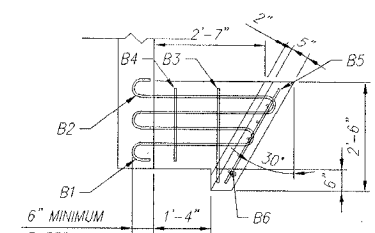
**SECTION A**



**DETAIL 1**



**PLAN**



**SECTION PRECAST WINGWALL TYPE A**