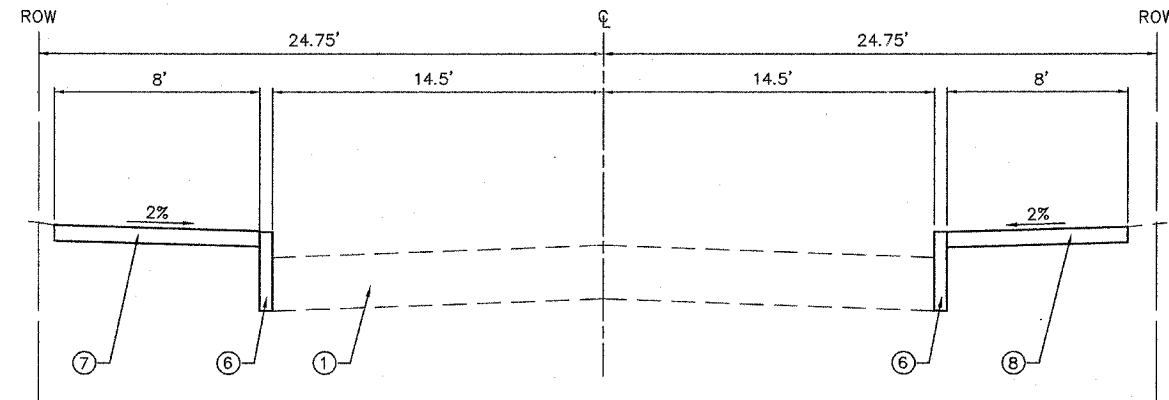
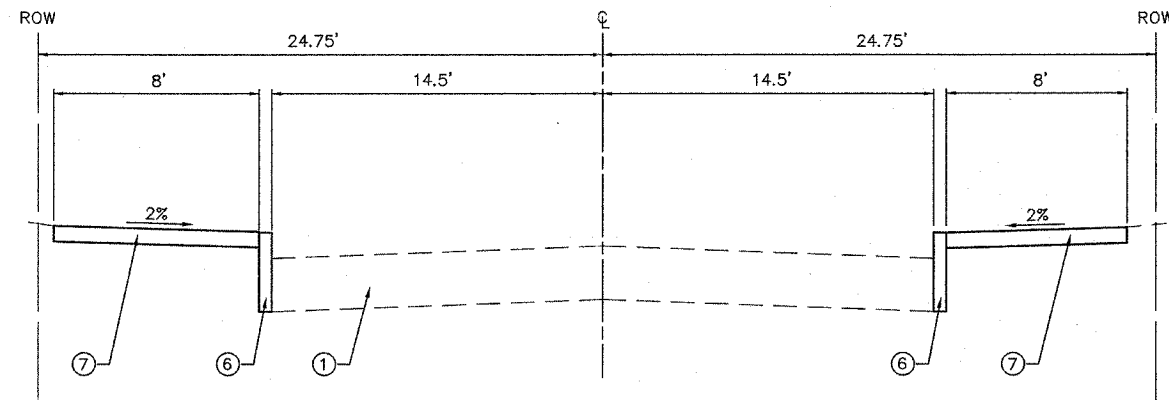


F.A. RTE.	SECTION	COUNTY	TOTAL SHEETS	SHEET NO.
-	01-00193-00-SW	ST. CLAIR	14	4
STA.		TO STA.		
FED. ROAD DIST. NO.	ILLINOIS	FED. AID PROJECT		
PROPOSED TYPICAL SECTIONS				
CONTRACT NO. 97230				



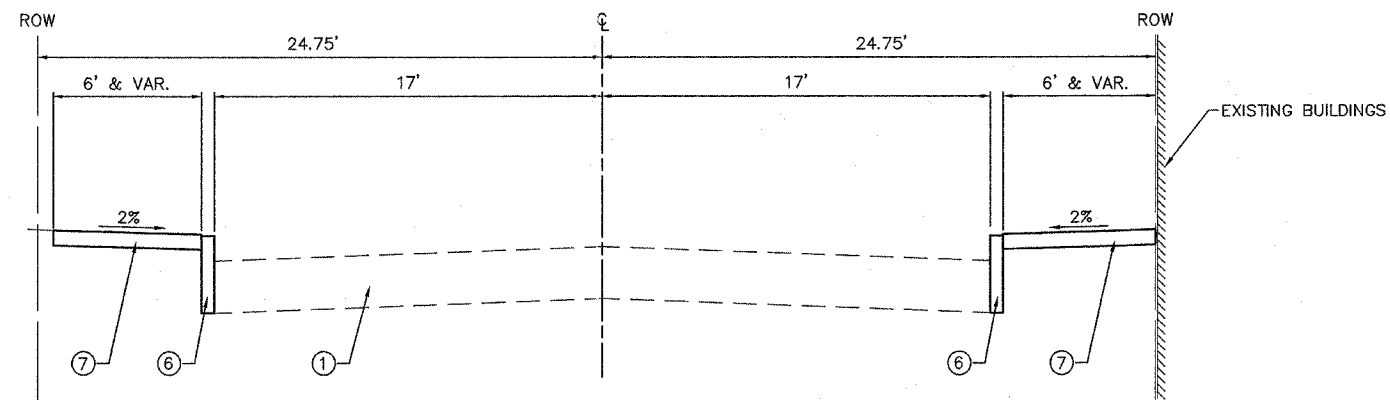
PROPOSED TYPICAL SECTION

STA. 20+50 TO STA. 25+20
(NOT TO SCALE)



PROPOSED TYPICAL SECTION

STA. 17+00 TO STA. 20+50
(NOT TO SCALE)



PROPOSED TYPICAL SECTION

STA. 10+37 TO STA. 17+00
(NOT TO SCALE)

- ① EXISTING BITUMINOUS CONCRETE PAVEMENT
- ② EXISTING P.C.C. PAVEMENT
- ③ EXISTING CONCRETE CURB
- ④ EXISTING P.C.C. SIDEWALK
- ⑤ EXISTING BRICK SIDEWALK
- ⑥ PROPOSED CONCRETE CURB, TYPE B
- ⑦ PROPOSED BRICK STENCILED P.C.C. SIDEWALK
- ⑧ PROPOSED BRICK SIDEWALK ON RIGID BASE