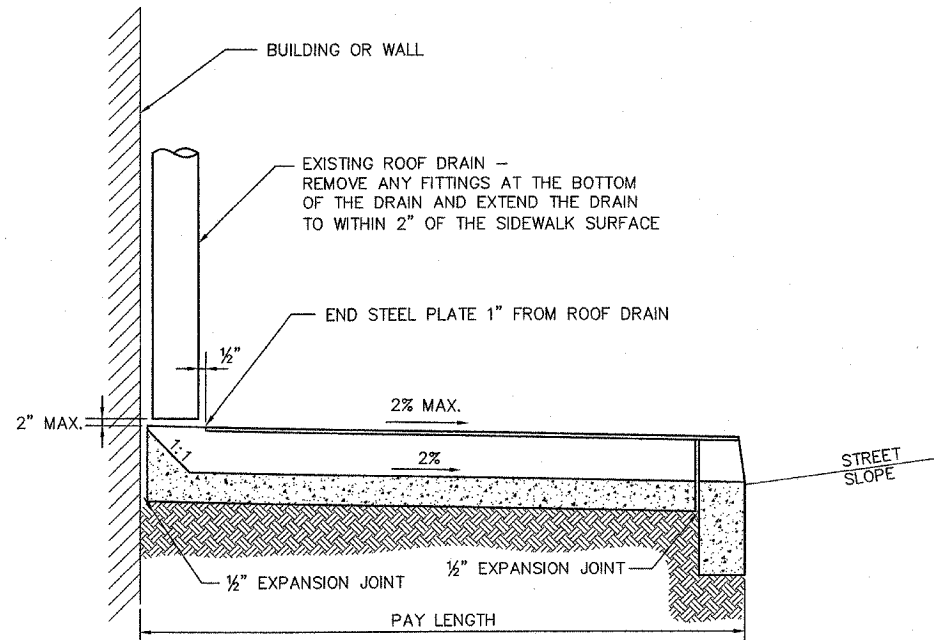


F.A. RTE.	SECTION	COUNTY	TOTAL SHEETS	SHEET NO.
01-00193-00-SW		ST. CLAIR	14	9
STA.		TO STA.		
FED. ROAD DIST. NO.		ILLINOIS	FED. AID PROJECT	
CONSTRUCTION DETAILS & SCHEDULES				
CONTRACT NO. 97230				

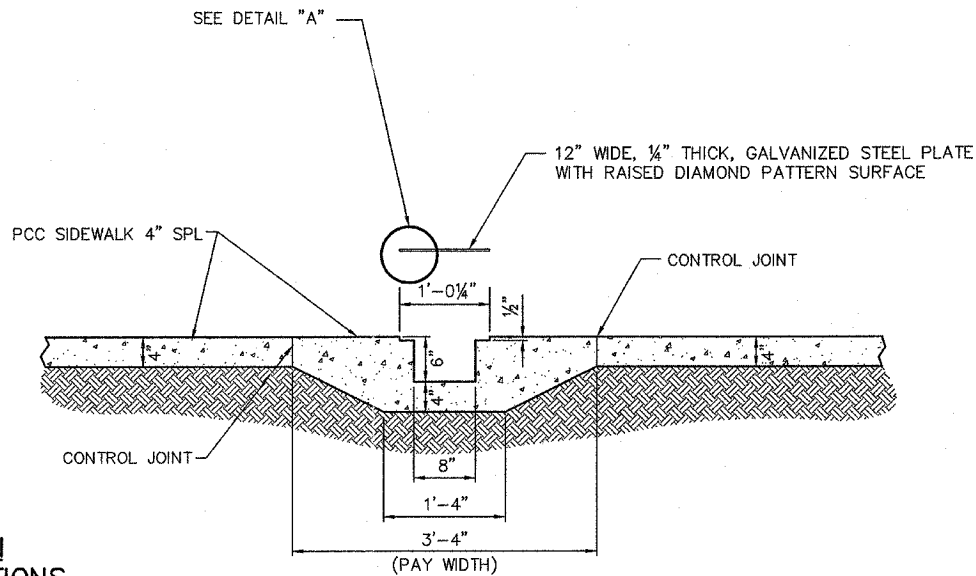
DATE	BY
DATE	BY
DATE	BY



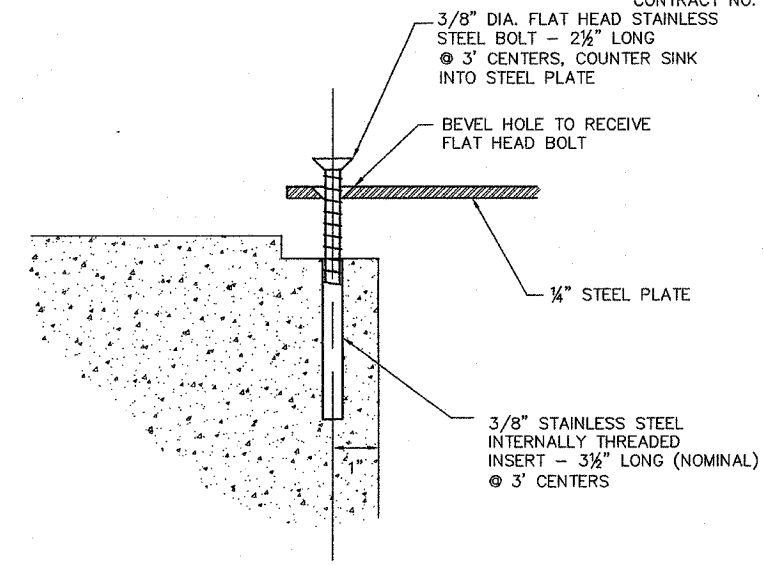
1/4" STEEL PLATE TO EXTEND TO FACE OF CURB

TYPICAL ROOF DRAIN CHANNEL & COVER
(NOT TO SCALE)

ROOF DRAIN CHANNEL LOCATIONS
10+57 LT 13+97 LT
10+81 RT 15+65 LT
11+02 LT



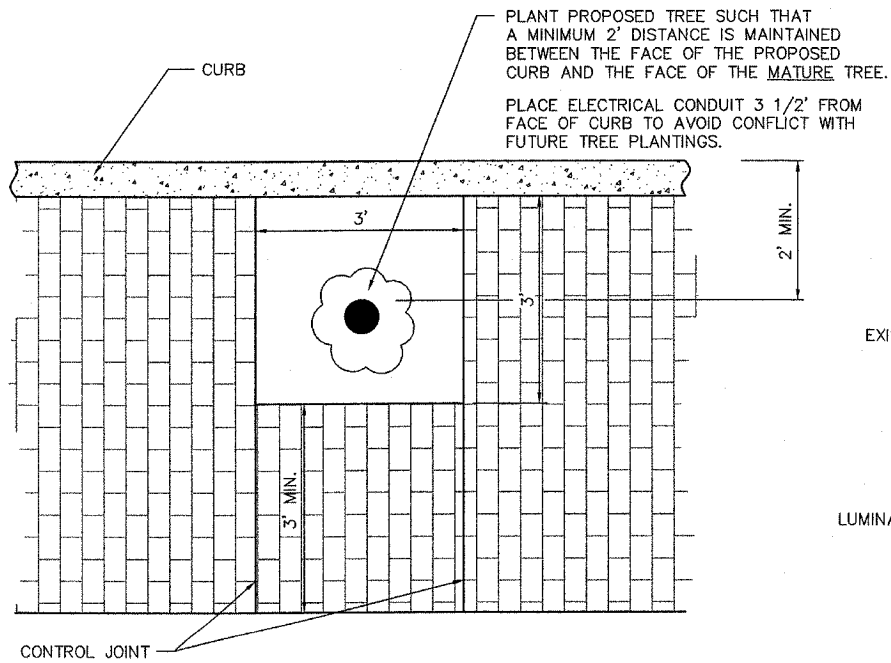
TYPICAL ROOF DRAIN CHANNEL & COVER
(NOT TO SCALE)



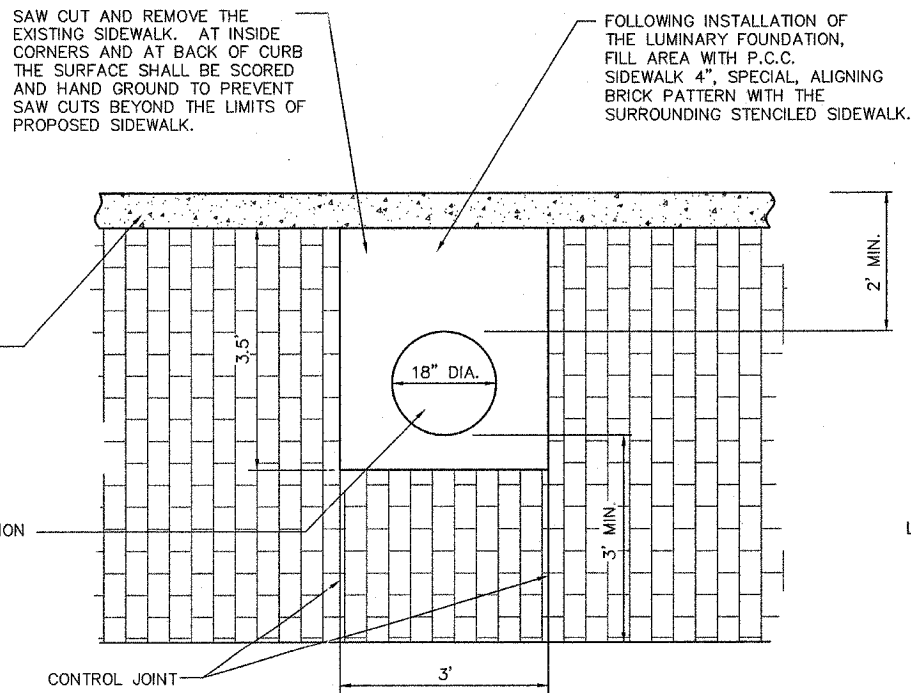
EMBED STAINLESS STEEL INTERNALLY THREADED INSERT WITH A CAPSULE OR ADHESIVE CARTRIDGE TYPE EPOXY SYSTEM. THE CONTRACTOR SHALL INSTALL THESE INSERTS IN PRE-DRILLED HOLES ACCORDING TO THE MANUFACTURER'S RECOMMENDATIONS AND PROCEDURES. THE CAPSULE OR THE ADHESIVE CARTRIDGE SHALL BE SEALED WITH PREMEASURED AMOUNTS OF THE ADHESIVE CHEMICAL.

DETAIL "A"
(NOT TO SCALE)

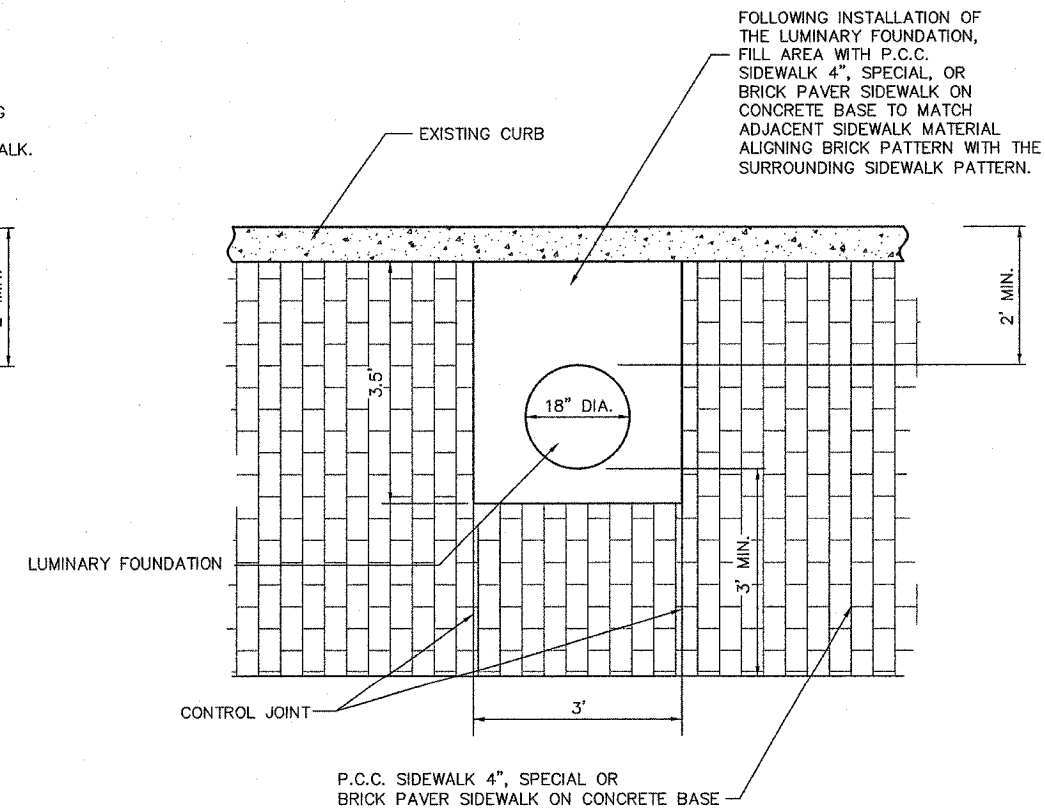
DATE	BY
DATE	BY
DATE	BY



TYPICAL TREE BLOCK OUT & TREE CUT OUT DETAIL
(NOT TO SCALE)



LUMINARY CUT OUT DETAIL
(NOT TO SCALE)



LUMINARY BLOCK OUT DETAIL
(NOT TO SCALE)