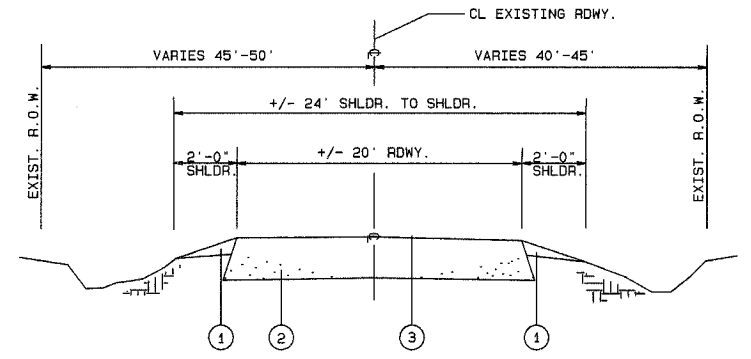
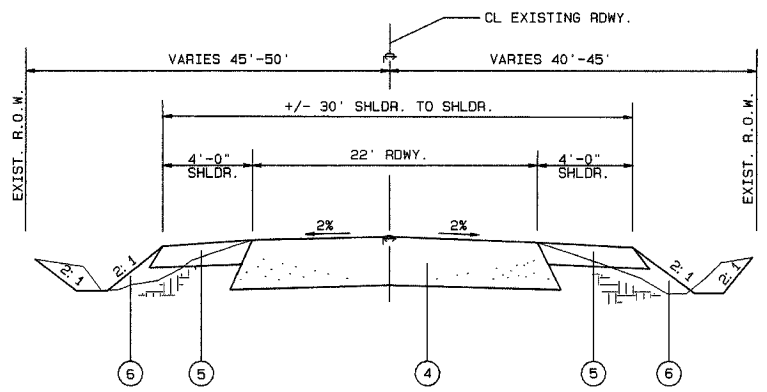


CONTRACT NO. 97249

DATE: 11/15/05
 REVISION: 1
 PROJECT NUMBER: DAVID M. MARTIN
 DRAWN BY: DAVID M. MARTIN
 CHECKED BY: DAVID M. MARTIN
 DESIGNED BY: DAVID M. MARTIN
 APPROVED BY: DAVID M. MARTIN
 GREENE COUNTY HIGHWAY DEPARTMENT
 ACCOUNT: BRPP BRIDGE
 DATE: JANUARY 31, 2005
 DESIGNED BY: DAVID M. MARTIN
 CHECKED BY: DAVID M. MARTIN
 APPROVED BY: DAVID M. MARTIN
 FAS 738 OVER HURRICANE CREEK
 SECTION 01-00072-00-BR
 SHEET 2 OF 28



EXISTING TYPICAL SECTION



PROPOSED TYPICAL SECTION

STA. 140+75.00 TO STA. 143+14.64
 STA. 143+22.47 TO STA. 143+47.92
 STA. 145+97.00 TO STA. 149+00.00

ROUTE	FAS 738
COUNTY	GREENE
SECTION	01-00072-00-BR
CONTRACT	97249

DESCRIPTION: FAS 738 OVER HURRICANE CREEK, 6 MILES WEST OF IL RTE 67 IN WHITE HALL, IL
 20 YR. ESAL'S: LOW

MIXTURE USE	SURFACE	BINDER CSE.	SHOULDER
AC/PG	PG 64-22	PG 64-22	PG 58-22
RAP % (MAX)	15%	15%	30%
DESIGN AIR VOIDS	4.0% @ Ndes=50	4.0% @ Ndes=50	2.0% @ Ndes=30
MIX COMPOSITION	IL 9.5		
(GRADATION MIXTURE)			
FRICITION AGG	MIX C	BASE COURSE	SHOULDER

LEGEND

- ① EXISTING AGGREGATE SHOULDERS
- ② EXISTING AGGREGATE BASE COURSE
- ③ EXISTING A3 BITUMINOUS SURFACE TREATMENT
- ④ PROPOSED CONCRETE BITUMINOUS PAVEMENT (FULL DEPTH), SUPERPAVE 14**
- ⑤ PROPOSED BITUMINOUS SHOULDER SUPERPAVE 8"
- ⑥ PROPOSED EARTHWORK

NOTE: **PROPOSED FULL DEPTH BITUMINOUS PAVEMENT SHALL BE CONSTRUCTED WITH THREE (3) 4" BINDER COURSE LIFTS AND ONE (1) 2" SURFACE COURSE LIFT. ALL EXCEPTIONS TO THIS CONSTRUCTION MUST BE APPROVED BY THE ENGINEER PRIOR TO CONSTRUCTION.

GENERAL NOTES

THE REMOVAL OF THE EXISTING OVERLAY, GRAVEL, OR CRUSHED STONE BASE COURSE WHICH MAY BE NECESSARY FOR THE CONSTRUCTION OF THE NEW BRIDGE SHALL BE REMOVED AS EARTH EXCAVATION AND NO ADDITIONAL COMPENSATION WILL BE ALLOWED FOR ADDITIONAL LABOR OR EQUIPMENT REQUIRED.

ALL WASTE OR UNDESIRABLE MATERIAL AS IDENTIFIED BY THE ENGINEER SHALL BE DISPOSED OF OUTSIDE THE LIMITS OF THE RIGHT OF WAY AT THE CONTRACTOR'S EXPENSE. ALL WASTE SITES SHALL BE PRE-APPROVED BY THE ENGINEER PRIOR TO ANY DISPOSAL MATERIAL LEAVING THE JOBSITE.

ALL EXISTING PRIVATELY OWNED UTILITIES REQUIRING ADJUSTMENT WILL BE MADE BY THE UTILITY COMPANY INVOLVED. WHERE NO PROVISIONS HAVE BEEN MADE FOR ADJUSTMENTS ON THE PLANS, NO ADDITIONAL COMPENSATION WILL BE ALLOWED DUE TO DELAYS OR INCONVENIENCES CAUSED BY THE SAID UTILITY ADJUSTMENTS.

THE PROFILE GRADE ELEVATIONS SHOWN ON THE PLAN AND PROFILE SHEETS AND IN THE CROSS SECTIONS ARE TO THE TOP OF THE FINISHED SURFACE.

THE LOCATION OF UNDERGROUND UTILITIES SHOWN ON THE PLANS REPRESENTS THE BEST KNOWLEDGE OF THE COUNTY. IT SHALL BE THE CONTRACTOR'S RESPONSIBILITY AS DETAILED IN SECTION 563 OF THE STANDARD SPECIFICATIONS, TO VERIFY LOCATIONS OF UNDERGROUND INSTALLATIONS BEFORE STARTING CONSTRUCTION OPERATIONS. THE CONTRACTOR SHALL INDEMNIFY THE COUNTY, ITS OFFICERS AND EMPLOYEES AGAINST ALL CLAIMS DUE TO DAMAGE TO CORPORATE OR PRIVATE PROPERTY RESULTING FROM HIS CONSTRUCTION OPERATIONS AS DESCRIBED IN ARTICLES 107.20 AND 107.26 OF THE STANDARD SPECIFICATIONS.

THE CONTRACTOR MAY BE REQUIRED TO CONDUCT SOME OF HIS GRADING AND TRENCHING OPERATIONS AROUND TRANSMISSION POLES AND UNDER TRANSMISSION LINES. THE ADDED COST OF SO DOING SHALL BE CONSIDERED INCLUDED IN EARTH EXCAVATION.

WHERE SECTION OR SUBSECTION MONUMENTS ARE ENCOUNTERED, THE ENGINEER SHALL BE NOTIFIED BEFORE SUCH MONUMENTS ARE REMOVED. THE CONTRACTOR SHALL PROTECT AND PRESERVE PROPERTY MARKERS UNTIL THE OWNER, AN AUTHORIZED SURVEYOR, OR AGENT, HAS WITNESSED OR OTHERWISE REFERENCED THEIR LOCATION.

ALL ELEVATIONS SHOWN REFER TO AN ASSUMED DATUM.

EARTHWORK SCHEDULE

LOCATION	EARTH EXC.	EMBANKMENT	FURNISHED EXC.	EARTHWORK BALANCE WASTE (+) SHORTAGE (-)
STA 140+75 TO				
STA 143+47.92	268	6.1	0	261.9
BRIDGE	0	0	0	
STA 145+97 TO				
STA 149+00	283	12.5	0	270.4
TOTALS	551 CY	18.6 CY	0 CY	532.3

PAVEMENT MARKING SCHEDULE

LOCATION STATION TO STATION	TYPE & COLOR OF CENTERLINE	QUANTITY	COMMENTS
STA. 140+75 TO STA. 149+00	NO PASS E.B.&W.B.	1650 FT.	4" SOLID YELLOW
STA. 140+75 TO STA. 149+00	E.O.P.	1650 FT.	4" SOLID WHITE
STA. 140+00	RR XING	12.6 SQ FT	LETTERS & SYMBOLS
STA. 140+00	RR XING	22 FT	24" SOLID WHITE
STA. 140+00	RR XING	43 FT	16" SOLID WHITE "X"
STA. 142+70	RR XING	11 FT	24" SOLID WHITE STOP BAR
STA. 143+50	RR XING	11 FT	24" SOLID WHITE STOP BAR
STA. 146+15	RR XING	12.6 SQ FT	LETTERS & SYMBOLS
STA. 146+15	RR XING	22 FT	24" SOLID WHITE
STA. 146+15	RR XING	43 FT	16" SOLID WHITE "X"
TOTAL			

SUMMARY OF QUANTITIES

ITEM NUMBER	ITEM	UNIT	QUANTITY
			K031-2A
20200100	Earth Excavation	Cu. Yd.	551
25001000	Seeding Class 2 (Special)	Acre	0.2
40200800	Aggregate Surface Course, Type B	Ton	1800
40300200	Bituminous Materials (Prime Coat)	Ton	33
40300400	Bituminous Materials (Cover and Seal Coats)	Ton	208
40300600	Seal Coat Aggregate	Ton	2080
48202600	Bituminous Shoulders Superpave 8"	Sq. Yd.	505
50101500	Removal of Existing Superstructure	Each	1
50102400	Concrete Removal	Cu. Yd.	8.6
50200100	Structure Excavation	Cu. Yd.	48
50300150	Neoprene Expansion Joint 2"	Foot	78
50300155	Neoprene Expansion Joint 2 1/2"	Foot	39
50300225	Concrete Structures	Cu. Yd.	12.9
50300255	Concrete Superstructure	Cu. Yd.	198.4
50300260	Bridge Deck Grooving	Sq. Yd.	765
50300300	Protective Coat	Sq. Yd.	819
50300310	Elastomeric Bearing Assembly Type I	Each	20
50300320	Elastomeric Bearing Assembly Type II	Each	10
50500105	Furnishing and Erecting Structural Steel	L. Sum	1
50800205	Reinforcement Bars, Epoxy Coated	Pound	53660
50900205	Steel Railing, Type S1	Foot	492
51500100	Name Plates	Each	1
63000000	Steel Plate Beam Guard Rail, Type A	Foot	412.5
63100075	Traffic Barrier Terminal, Type 5A	Each	2
63100167	Traffic Barrier Terminal, Type 1 Special (Tangent)	Each	6
70101830	Traffic Control and Protection Standard BLR 21	L. Sum	1
70102550	Traffic Control and Protection for Temporary Detour	Each	1
78000100	Thermoplastic Pavement Marking Letters and Symbols	Sq. Ft.	25.2
78000200	Thermoplastic Pavement Marking Line 4"	Foot	2304
78000610	Thermoplastic Pavement Marking Line 16"	Foot	85
78000650	Thermoplastic Pavement Marking Line 24"	Foot	65
78008210	Polyurea Pavement Marking Type I - Line 4"	Foot	996
78201000	Terminal Marker Direct Applied	Each	6
X4073151	Bituminous Concrete Pavement (Full Depth), Superpave, 14"	Sq. Yd.	1389
Z0048665	Railroad Protective Liability Insurance	L. Sum	1

* See Special Provisions

GENERAL NOTES, SUMMARY OF QUANTITIES, TYPICAL SECTIONS & DETAILS
 FAS 738 OVER HURRICANE CREEK
 SECTION 01-00072-00-BR
 GREENE COUNTY