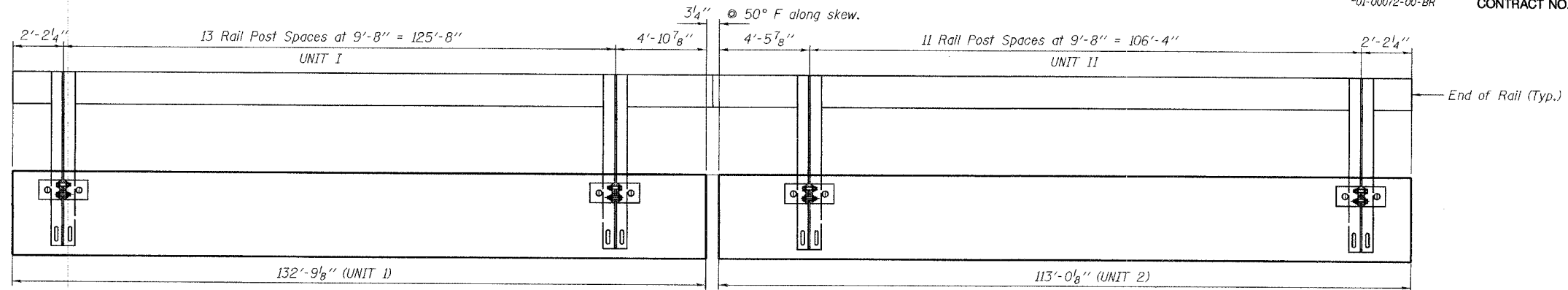
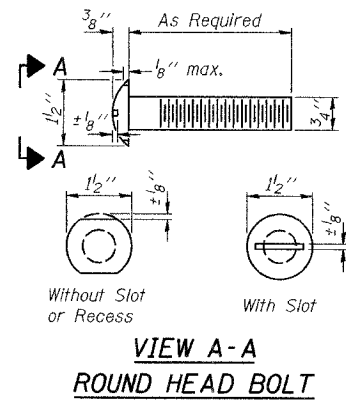


STATE OF ILLINOIS  
DEPARTMENT OF TRANSPORTATION

ROUTE NO.	SECTION	COUNTY	SHEET	SHEET	SHEET NO. 10 20 SHEETS
F.A.S. 738	#	Greene	28	14	
FED. ROAD DIST. NO. 7	ILLINOIS	FED. AID PROJECT			
*01-00072-00-BR		CONTRACT NO. 97249			



**NOTES**

Hollow structural sections shall conform to the requirements of ASTM designation A 500 Grade B Structural Steel Tubing and shall meet the longitudinal CVN requirements of 15 ft-lbs at 0° F.

All other steel shapes and plates shall conform to the requirements of AASHTO M 270 Grade 36 except posts and angles shall conform to AASHTO M 270, Grade 50.

Bolts, cap screws, and nuts shall conform to the requirements of ASTM designation A 307 except for high strength bolts, nuts and washers noted which shall conform to AASHTO M 164.

All bolts, nuts, cap screws, washers and lock washers shall be galvanized according to AASHTO M 232.

All posts, railing, rail splices, anchor devices and angles shall be galvanized after shop fabrication according to AASHTO M 111 and ASTM A 385. Galvanized rail shall not be painted.

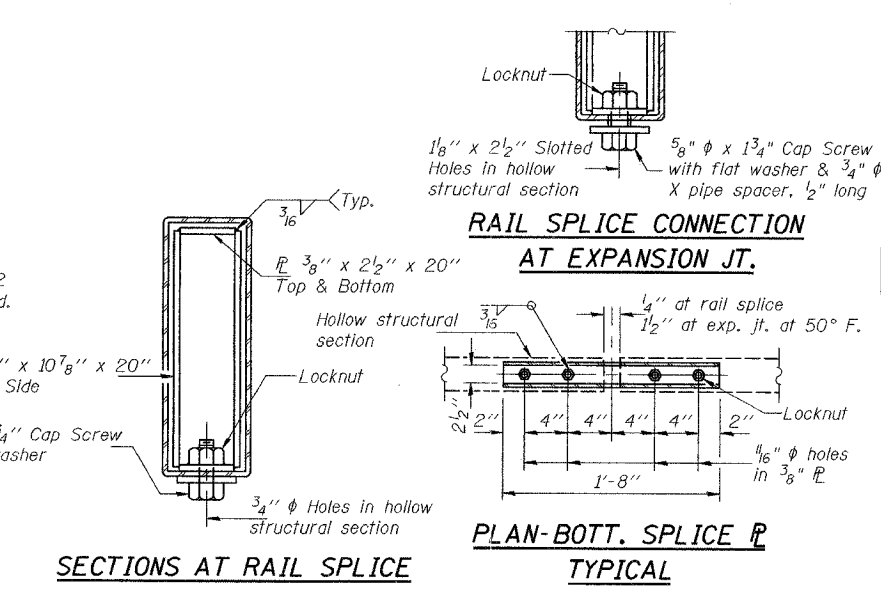
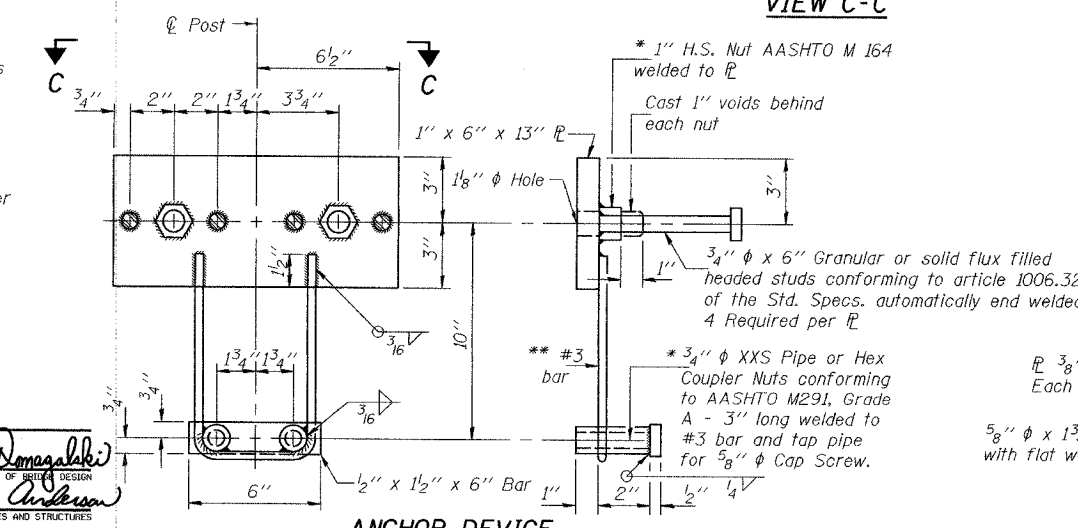
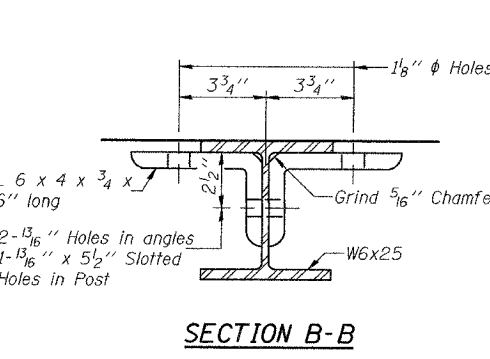
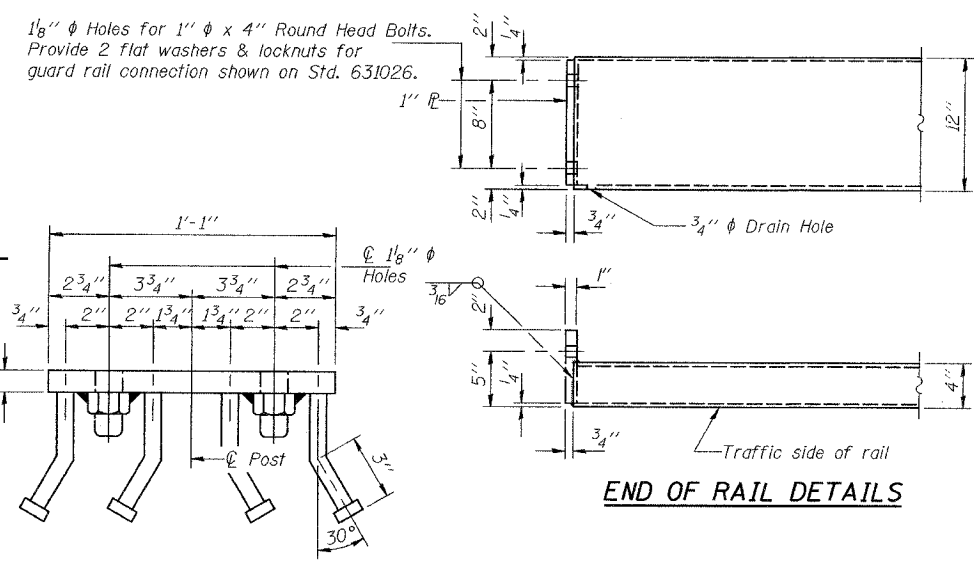
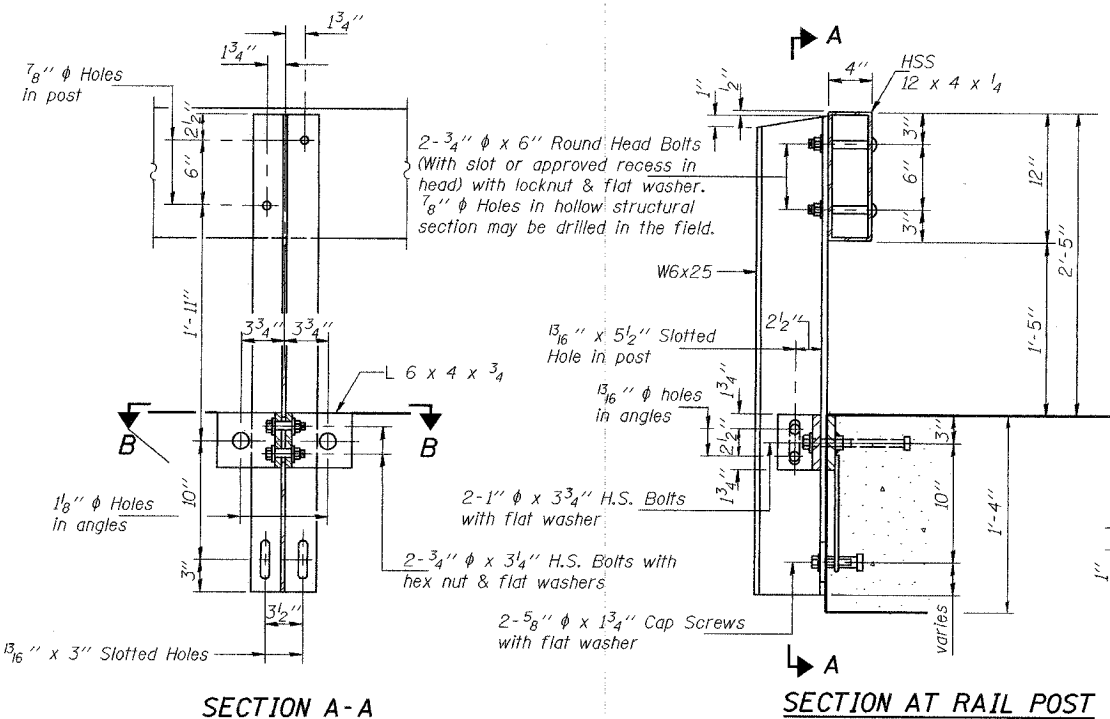
Railing shall be according to Section 509 of the Standard Specifications, except as noted, and will be paid for at the contract unit price per foot for STEEL RAILING, TYPE S-1.

All field drilled holes shall be coated with an approved zinc rich paint before erection.

The lower portion of the post flange in contact with concrete shall receive two coats of asphalt paint conforming to Section 1060.07 Type II or place 1/2 inch fabric bearing pad between the post and concrete.

The 3/4 inch high strength bolts used to connect the 6 x 4 x 3/4 angles to the post shall be tightened according to Article 505.04(F)(2) of the Standard Specifications. The 1 inch high strength bolts connecting the angles to the concrete shall be tightened to a snug fit and given an additional 1/8 turn. The 5/8 inch cap screws in bottom of posts shall be tightened to a snug fit only.

For multi-span bridges, sufficient 1/4 inch x 6 inch x 1'-2 inch galvanized steel shims shall be provided to align rail between adjacent spans. Cost included with STEEL RAILING, TYPE S-1.



**BILL OF MATERIAL**

Item	Unit	Quantity
Steel Railing Type S-1	Foot	492

**TYPE S-1  
STEEL RAILING  
F.A.S. 738 OVER  
HURRICANE CREEK  
SECTION 01-00072-00-BR  
GREENE COUNTY  
STA. 144+72.46  
STR. NO. 031-3005**

DESIGNED	ABG	DATE	January 21, 2005
CHECKED	ZBU	EXAMINED	Thomas J. Domagala
DRAWN	SMS	PASSED	Ralph E. Anderson
CHECKED	JFS		

\* Threaded areas shall be plugged or blocked off during pouring of the deck.