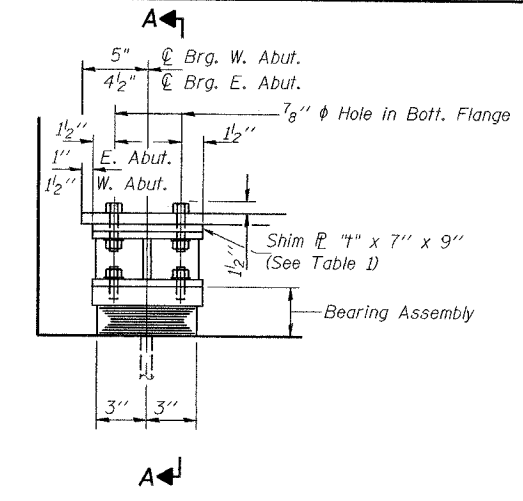
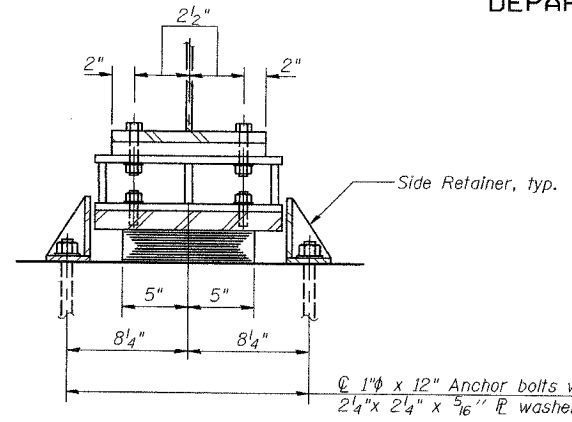


STATE OF ILLINOIS
DEPARTMENT OF TRANSPORTATION

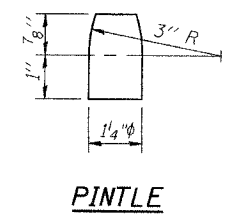
ROUTE NO.	SECTION	COUNTY	SHEET	SHEET NO. 11
F.A.S. 738	*	Greene	28 15	20 SHEETS
FED. ROAD DIST. NO. 7	ILLINOIS	FED. AID PROJECT	CONTRACT NO. 97249	
*01-00072-00-BR				



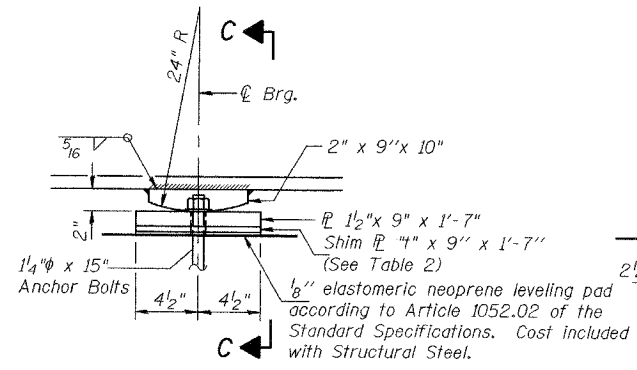
ELEVATION AT ABUTMENTS



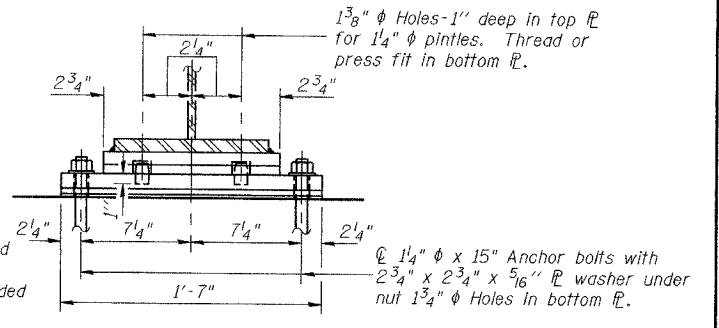
SECTION A-A



PINTLE



ELEVATION AT PIERS 1 & 5



SECTION C-C

TYPE I ELASTOMERIC EXP. BRG.

(10 Required)

**TABLE 1
SHIM PLATE THICKNESS "4"**

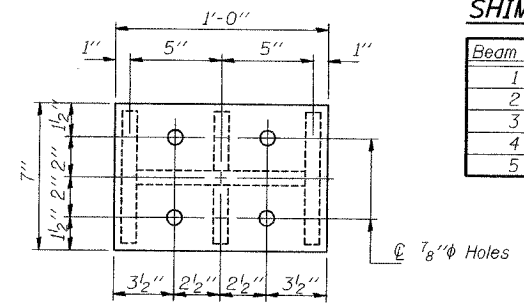
Beam No.	W. Abutment	E. Abutment
1	-	-
2	1/8"	1/8"
3	1"	1"
4	1/4"	3/8"
5	1/4"	3/8"

FIXED BEARING

(10 Required)

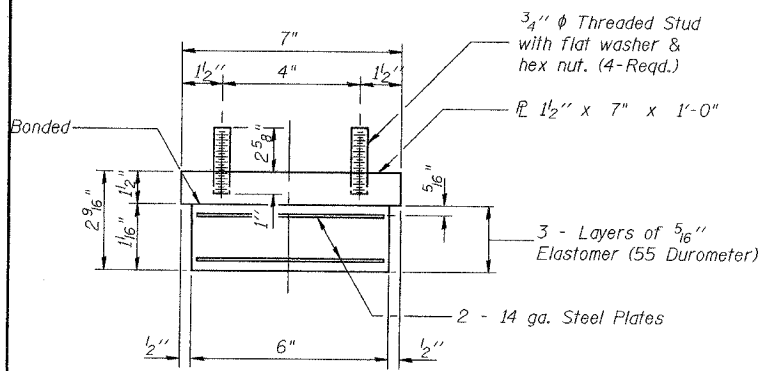
**TABLE 2
SHIM PLATE THICKNESS "4"**

Beam No.	Pier 1	Pier 5
1	2 1/2"	-
2	2 5/8"	1 1/2"
3	3 1/2"	1"
4	2 3/4"	1 1/4"
5	2 3/4"	1 1/4"



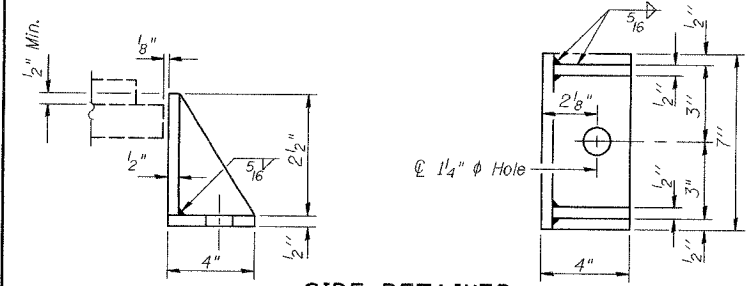
PLAN TOP AND BOTTOM PLATE

Notes:
New steel extensions, side retainers, shim plates, connection bolts, and anchor bolts are included with Furnishing and Erecting Structural Steel.
See Sheet 20 of 20 for Anchor Bolt Installation.
Prior to ordering any material, the Contractor shall verify in the field all bearing height and shim thickness dimensions.



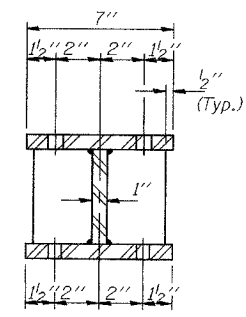
BEARING ASSEMBLY

Note: Shim plates shall not be placed under Bearing Assembly.

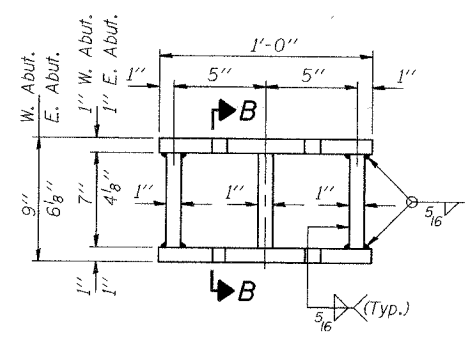


SIDE RETAINER

Equivalent rolled angle with stiffeners will be allowed in lieu of welded plates. Weight included with Structural Steel.



SECTION B-B



STEEL EXTENSION DETAIL

BILL OF MATERIAL

ITEM	UNIT	TOTAL
Elastomeric Bearing Assembly Type I	Each	10

DESIGNED	JFS
CHECKED	JKK
DRAWN	SMS
CHECKED	JFS

January 21, 2005
EXAMINED *Thomas J. Domagalick*
PASSED *Ralph E. Anderson*
ENGINEER OF BRIDGE DESIGN
ENGINEER OF BRIDGES AND STRUCTURES

BEARINGS
F.A.S. 738 OVER
HURRICANE CREEK
SECTION 01-00072-00-BR
GREENE COUNTY
STA. 144+72.46
STR. NO. 031-3005

I-2-E2 10-31-02