

STATE OF ILLINOIS
DEPARTMENT OF TRANSPORTATION

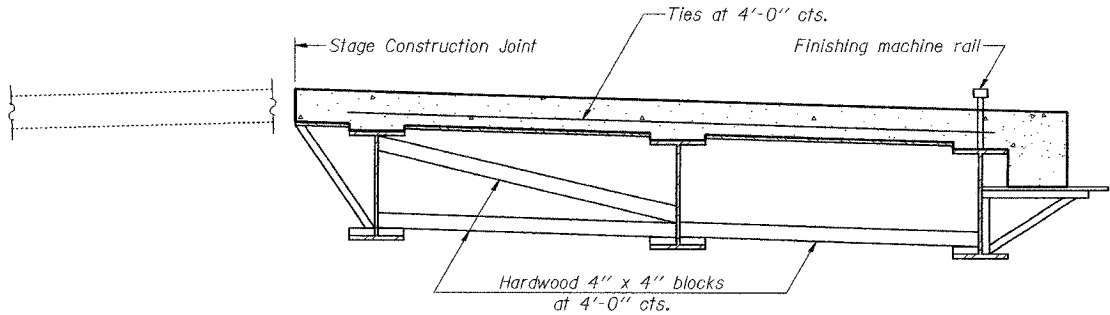
ROUTE NO. F.A.S. 738	SECTION *	COUNTY Greene	SHEET NO. 28	SHEET TOTAL 23	SHEET NO. 19 20 SHEETS
FED. ROAD DIST. NO. 7		ILLINOIS	FED. AID PROJECT-		
*01-00072-00-BR		CONTRACT NO. 97249			

When cantilever forming brackets are used, the work shall be done according to Article 503.06, except as modified below and in the details shown on this sheet.

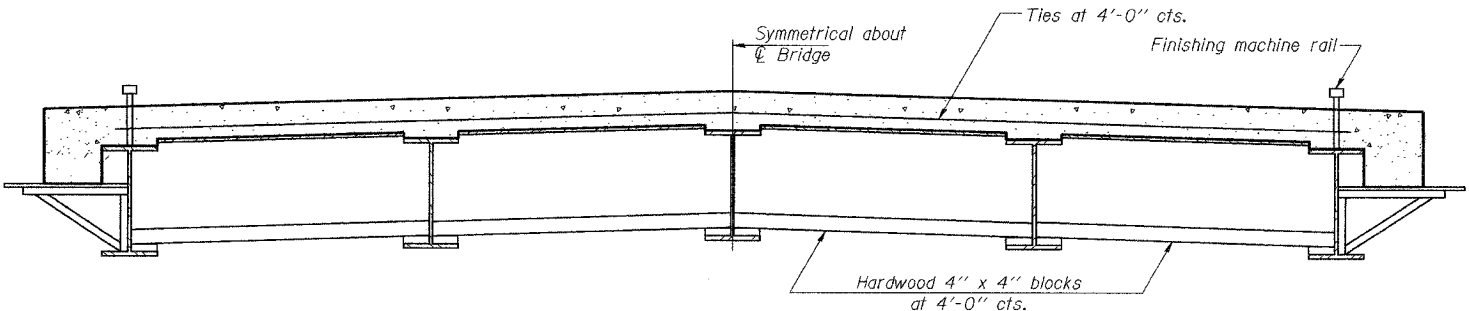
The finishing machine rails shall be placed on the top flange of the exterior beams.

The beams or girders, supporting cantilever forming brackets, shall be tied together at 4 foot intervals.

For Standard construction, or Stage Construction the Hardwood bracing materials shall be placed as shown between webs of beams in each bay.



**FORM BRACES FOR
STAGE CONSTRUCTION**



**FORM BRACES FOR
STANDARD CONSTRUCTION**

DESIGNED	ABG
CHECKED	ZBU
DRAWN	SMS
CHECKED	JFS

January 21, 2005
EXAMINED *Thomas J. Domagalick*
PASSED *Ralph E. Anderson*
ENGINEER OF BRIDGES AND STRUCTURES

CANTILEVER FORMING BRACKET
F.A.S. 738 OVER
HURRICANE CREEK
SECTION 01-00072-00-BR
GREENE COUNTY
STA. 144+72.46
STR. NO. 031-3005