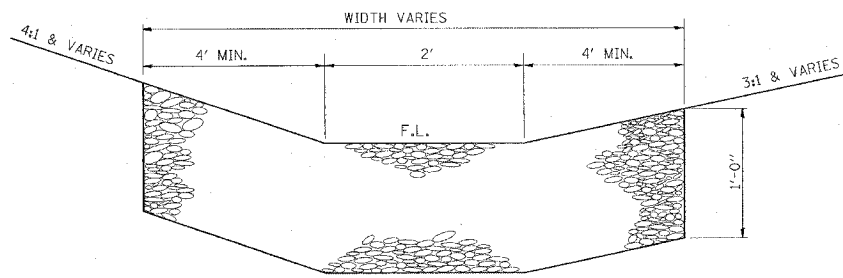


TYPICAL DETAIL OF STONE RIPRAP DITCH LINING



NOTES

THIS WORK INCLUDES THE EARTH EXCAVATION REQUIRED TO PLACE THE RIPRAP AS SHOWN. THE MATERIAL RESULTING FROM THE EARTH EXCAVATION SHALL BE PLACED IN THE ROADWAY EMBANKMENT, OR WASTED AS DIRECTED BY THE ENGINEER. THE EARTHWORK SHALL BE CONSIDERED INCLUDED IN THE COST OF THE DITCH.

THE RIPRAP DITCH SHALL BE CONSTRUCTED AT THE LOCATIONS SHOWN IN THE PLANS OR AS DIRECTED BY THE ENGINEER. CONSTRUCTION OF THE STONE RIPRAP DITCH SHALL CONFORM TO THE REQUIREMENTS FOR CLASS A4 RIPRAP AS INDICATED IN SECTION 281 OF STANDARD SPECIFICATIONS.

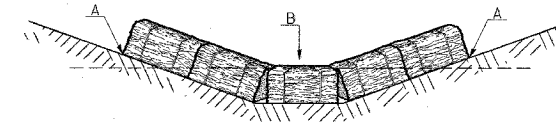
THIS WORK SHALL BE PAID FOR AT THE CONTRACT UNIT PRICE PER TON FOR **STONE RIPRAP, CLASS A4**, WHICH PRICE SHALL INCLUDE ALL MATERIAL, LABOR AND EQUIPMENT TO COMPLETE THE WORK IN PLACE AS SHOWN.

BEDDING MATERIAL AND FILTER FABRIC AS SPECIFIED IN SECTION 281 OF THE STANDARD SPECIFICATIONS WILL NOT BE REQUIRED.

THE WIDTH OF THE RIPRAP DITCH WILL BE AS SPECIFIED IN THE RIPRAP SCHEDULE OR AS DIRECTED BY THE ENGINEER.

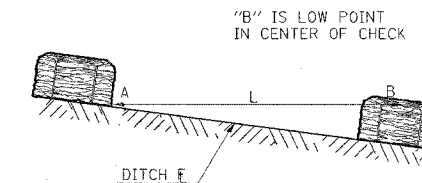
TEMPORARY DITCH CHECKS

PLACEMENT OF TEMPORARY STRAW BALE DITCH CHECK IN DRAINAGEWAY



POINTS A SHOULD BE HIGHER THAN POINT B

SPACING BETWEEN TEMPORARY DITCH CHECKS



L = THE DISTANCE SUCH THAT POINTS A AND B ARE OF EQUAL ELEVATION

F.A.P. RTE	SECTION	COUNTY	TOTAL SHEETS	SHEET NO
869	(103)I	SALINE	64	28
STA.		TO STA.		
FED. ROAD DIST. NO. -		ILLINOIS	FED. AID PROJECT	

CONTRACT NO. 98896

REVISIONS	
DRAWN	9-01-99
REVISED	10-3-01

STD 9-108

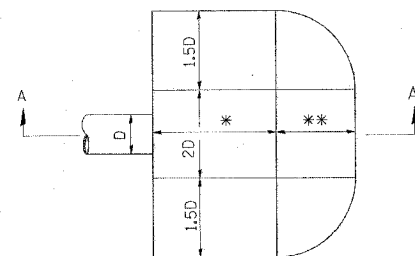
ENERGY DISSIPATOR

EARTH EXCAVATION FOR ENERGY DISSIPATOR

THIS WORK INVOLVES THE EXCAVATION OF EARTH AS SHOWN IN THE SKETCH TO THE LENGTH, WIDTH, AND DEPTH AS SPECIFIED. THE EARTH EXCAVATION WILL BE UTILIZED IN THE ROADWAY EMBANKMENT OR WASTED AS DIRECTED BY THE ENGINEER. THE EXCAVATION SHALL BE PERFORMED AT THE SAME TIME AS THE CULVERT OR DITCH IS CONSTRUCTED TO SERVE AS A TEMPORARY SEDIMENT TRAP.

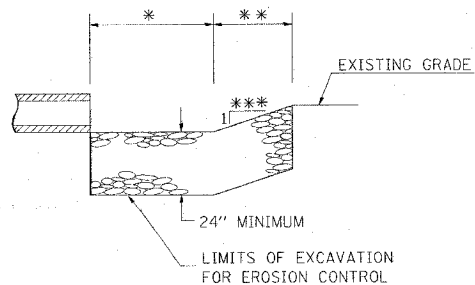
EARTHWORK WILL BE CONSIDERED INCLUDED IN THE COST OF THE RIPRAP.

ENERGY DISSIPATOR IS TO BE CONSTRUCTED AT THE LOCATION INDICATED ON THE PLAN AND PROFILE SHEETS.



D= INSIDE DIAMETER OF PIPE CULVERT OR CLEAR HEIGHT OF BOX CULVERT

PLAN



SECTION A-A

STATION	*	**	***
1039+58.4 LT.	3D	1/2D	3:1
1039+58.4 RT.	1 3/4 D	2 1/2 D	2:1
1045+10.3 RT.	3D	-	-

RIPRAP FOR ENERGY DISSIPATOR

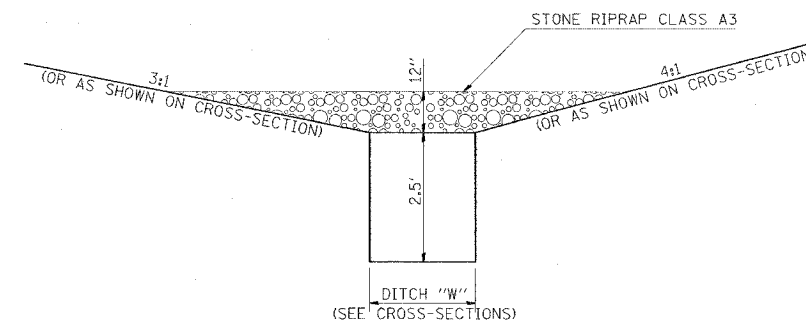
RIPRAP FOR ENERGY DISSIPATOR SHALL BE CONSTRUCTED IN ACCORDANCE WITH SECTION 281 OF THE STANDARD SPECIFICATIONS EXCEPT AS REVISED HEREIN.

THE LENGTH, WIDTH, AND DEPTH FOR RIPRAP PLACEMENT SHALL BE AS SPECIFIED IN THESE DETAILS UNLESS OTHERWISE SPECIFIED IN THE PLANS.

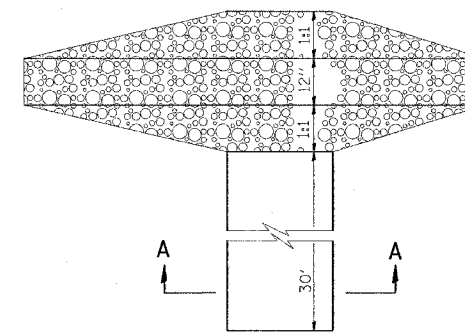
THE RIPRAP FOR THE ENERGY DISSIPATOR SHALL BE PAID FOR AT THE CONTRACT UNIT PRICE PER TON FOR **STONE RIPRAP, CLASS A4**.

BEDDING MATERIAL AS SPECIFIED IN SECTION 281 OF THE STANDARD SPECIFICATIONS WILL NOT BE REQUIRED.

DETAIL OF TEMPORARY SEDIMENT BASIN



SECTION A-A



PLAN

NOTES

- STONE RIPRAP CLASS A3 USED AS SHOWN WILL BE PAID FOR AS AGGREGATE (EROSION CONTROL), TON

DETAILS: STONE RIPRAP DITCH LINING; ENERGY DISSIPATOR; TEMPORARY DITCH CHECKS; TEMPORARY SEDIMENT BASIN