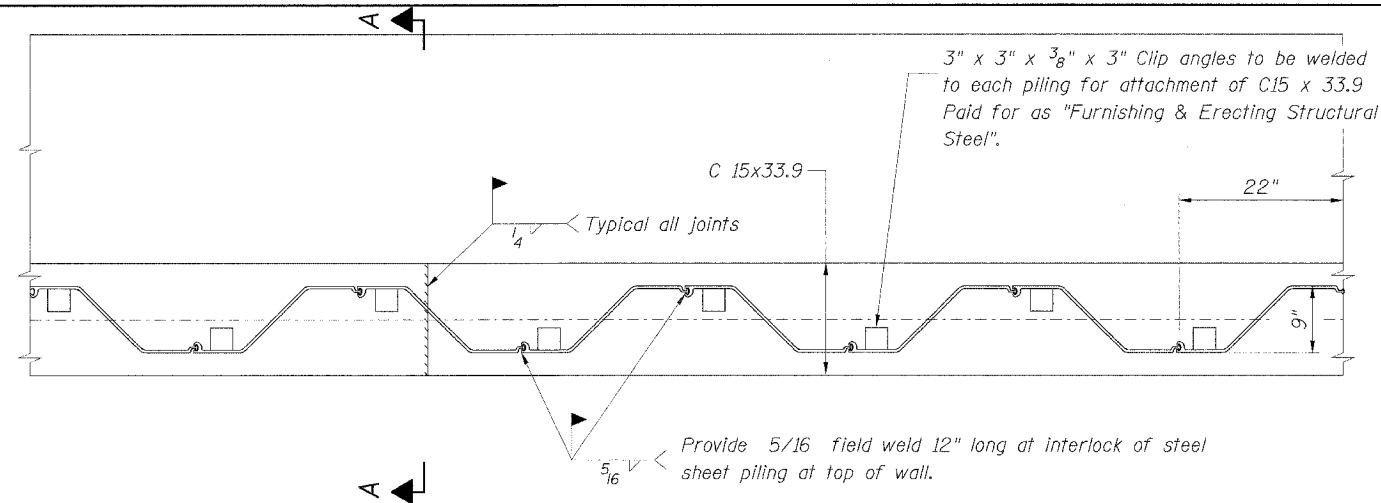
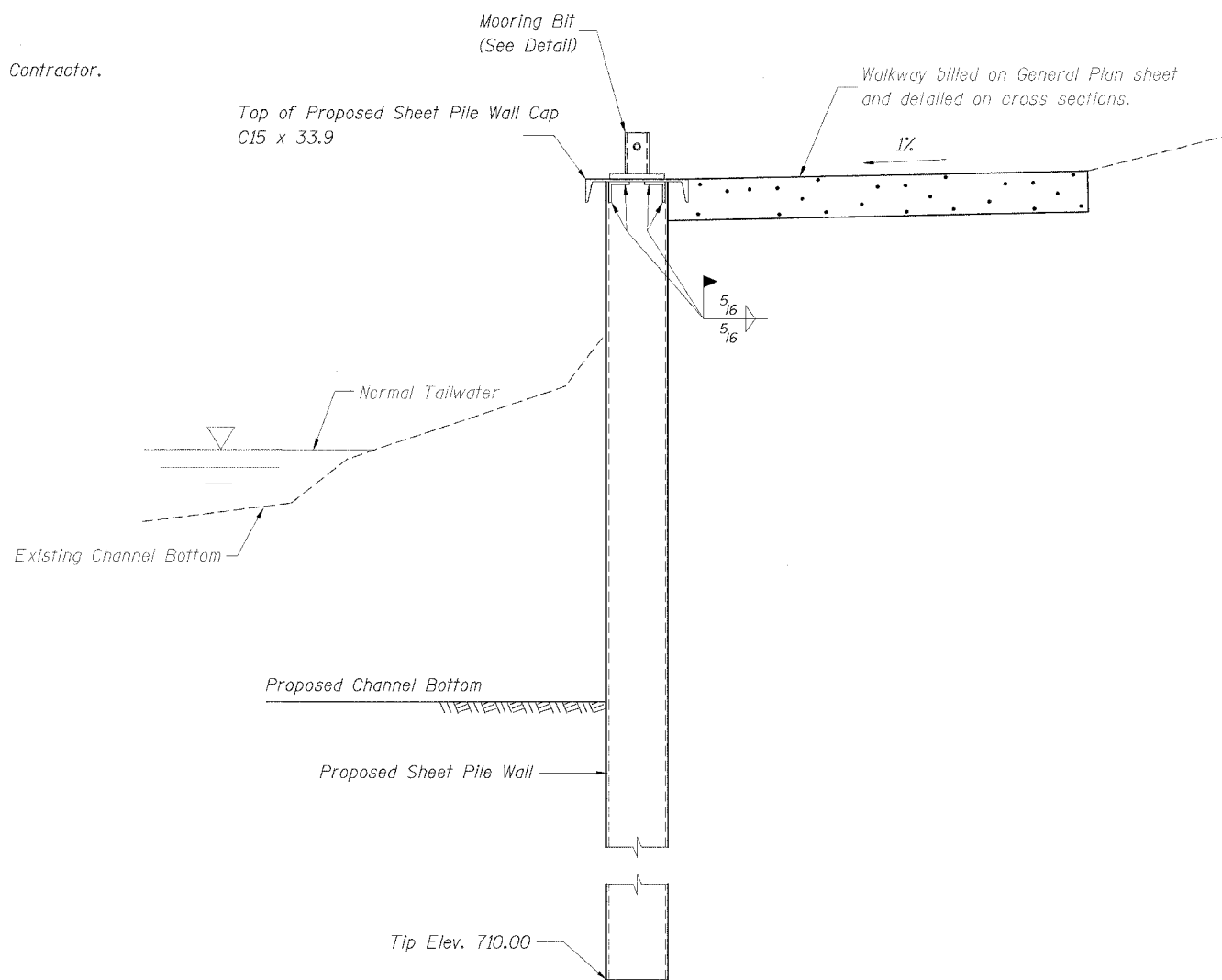


MOORING BIT DETAIL

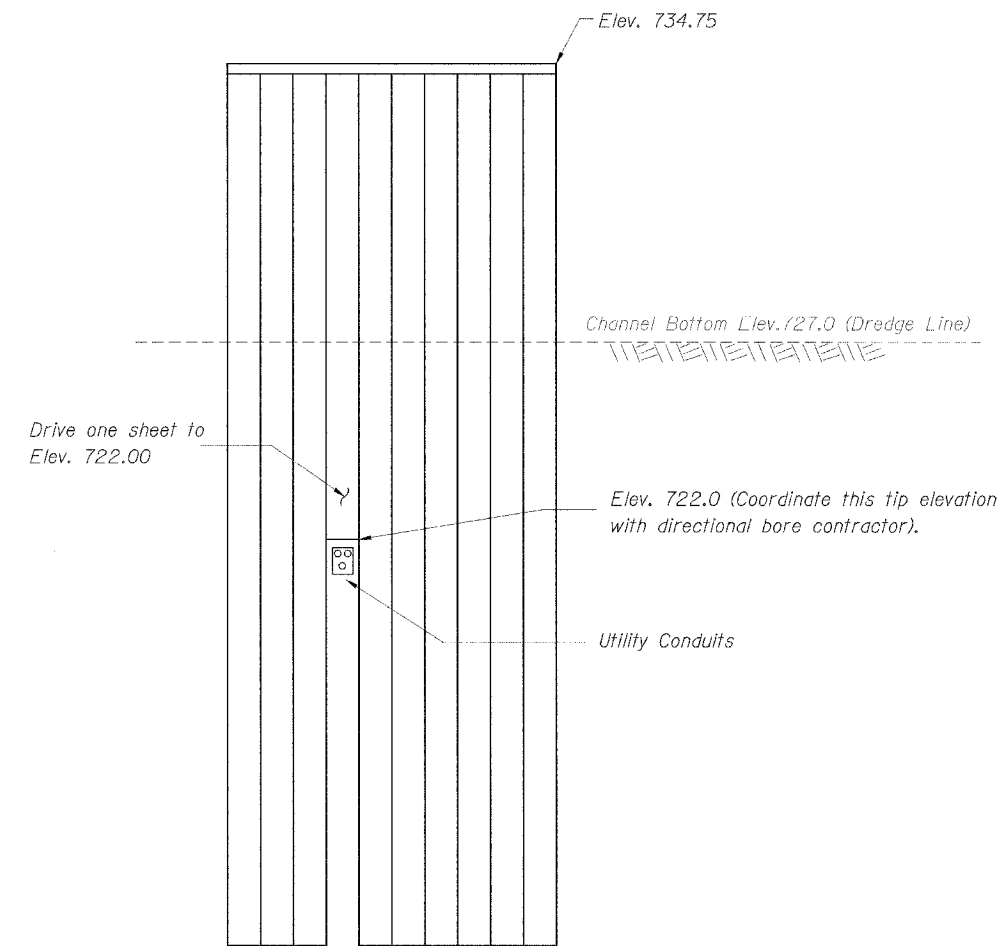
(To be furnished by the Department and installed by Contractor. Location shown on sheet 5).



PLAN



SECTION A-A



DETAIL "A"

Designed By Timin Checked By JJE
 Drawn By JJE Checked By Timin