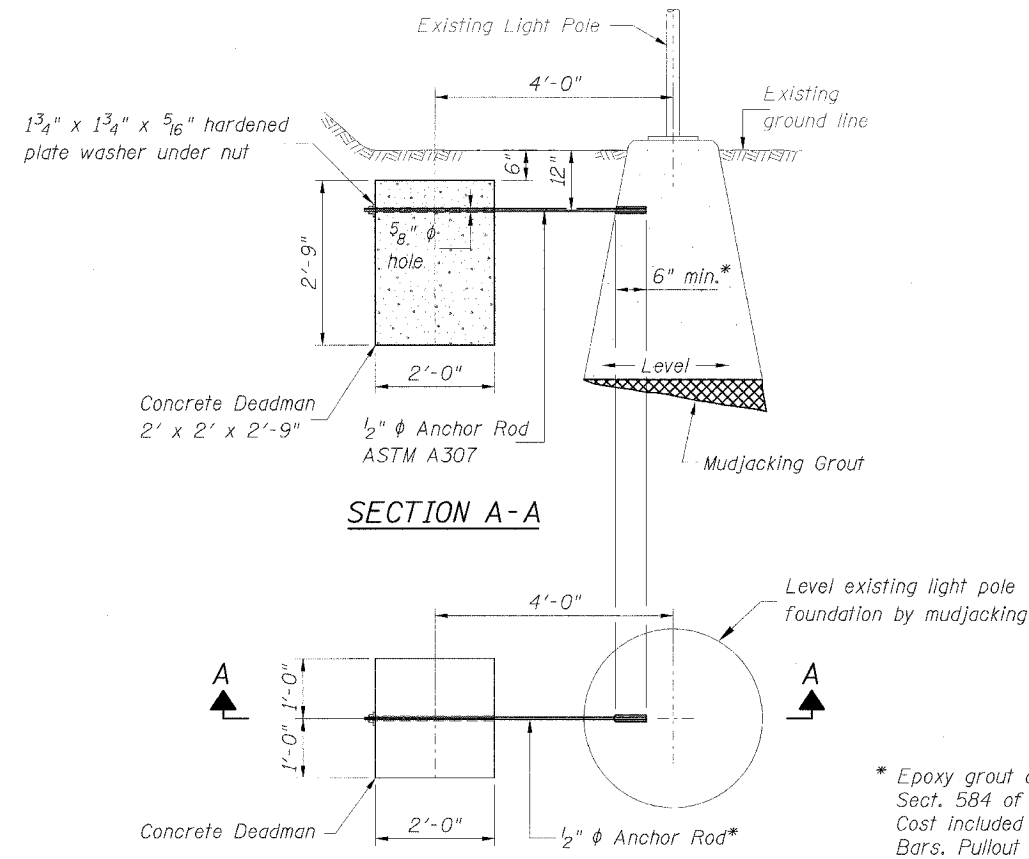


NOTES:

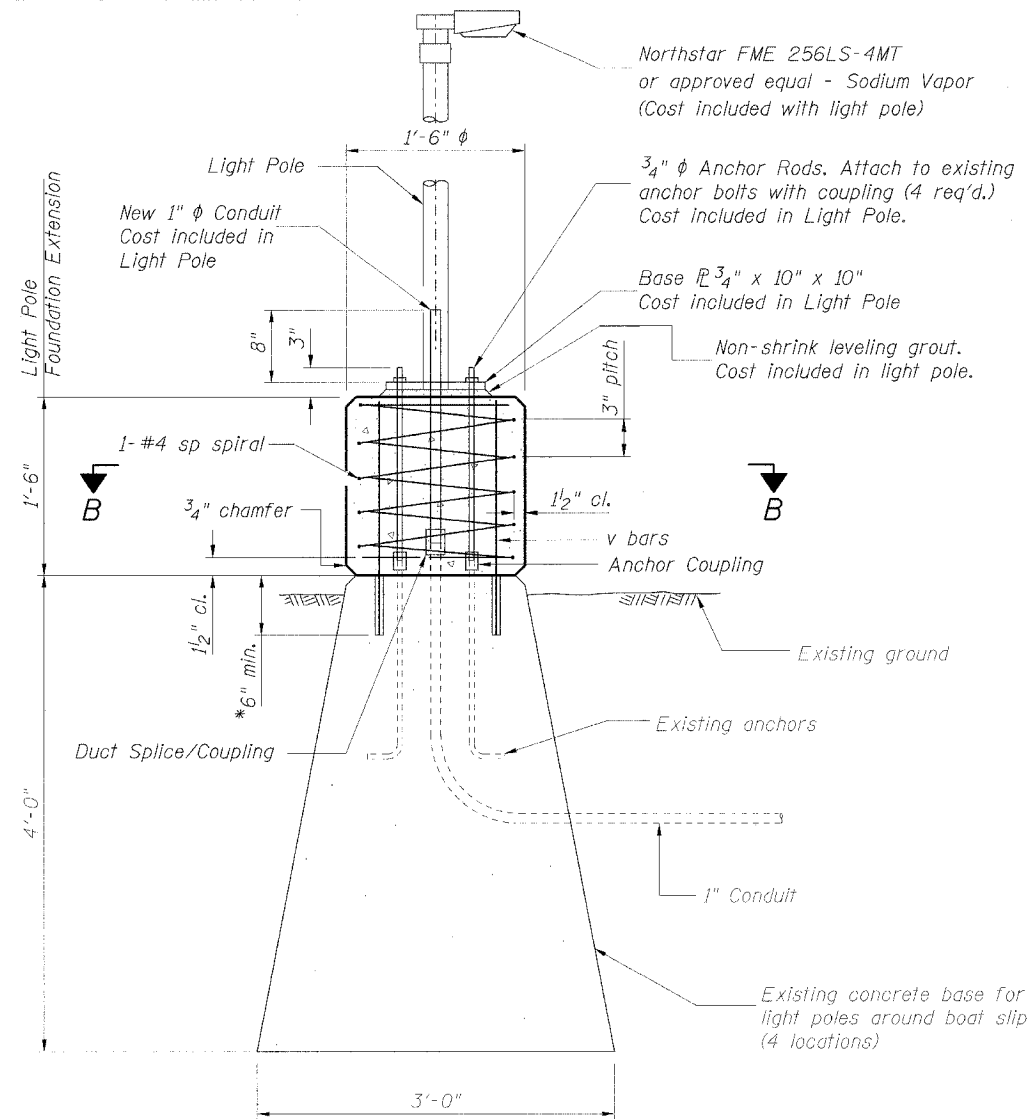
The light pole foundation of the pole near the south west corner of the boat lock needs to be leveled. Refer to sheet 4 for location. See leveling details this sheet.



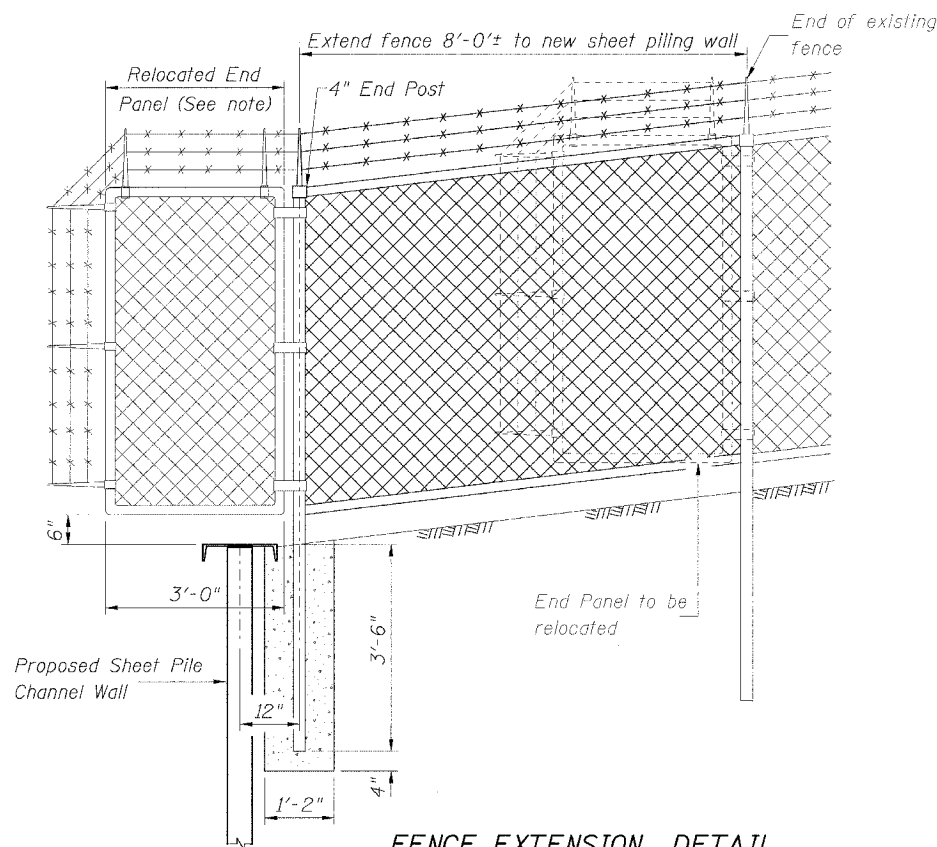
SECTION A-A

LIGHT POLE LEVELING DETAIL
(Paid for as "Existing Light Pole Foundation Adjustment")

* Epoxy grout according to Sect. 584 of the Std. Spec's.. Cost included in Reinforcement Bars. Pullout load = 4000 lbs.

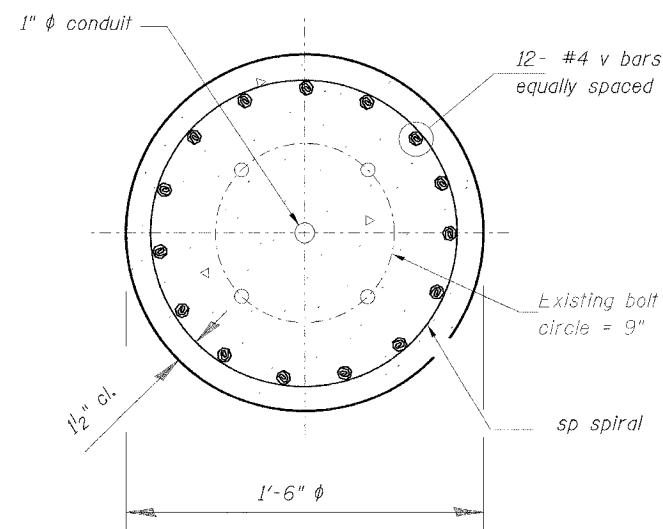


FOUNDATION DETAIL

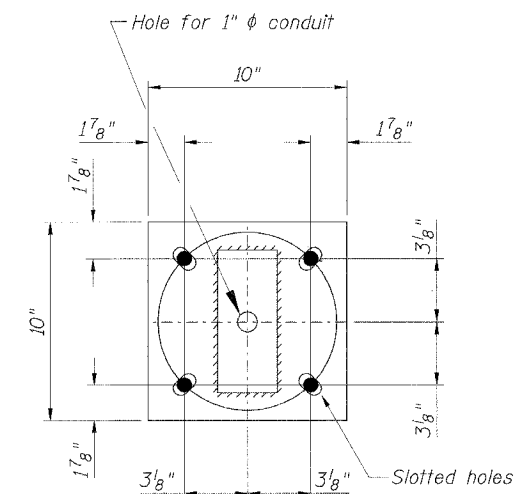


FENCE EXTENSION DETAIL
(For location of Fence, see sheet 4)

Note:
The cost to relocate fence end panel to be included with Chain Link Fence



SECTION B-B



BASE P DETAIL

(To be designed by manufacturer)

BILL OF MATERIAL

Bar	No.	Size	Length	Shape	
sp	4	#4	1'-3"	⌘	
v	48	#4	1'-11"	—	
Concrete Structures				Cu. Yd.	0.4
Reinf. Bars, Epoxy Coated Pound					60
Chain Link Fence, 6'				Foot	8
Light Pole, Steel, 20 Ft.					
Mounting Height				Each	4
Removal of Existing Lighting Unit, No Salvage				Each	4
Existing Light Pole Foundation Adjustment				Each	1

**Length is height of spiral.

Designed by Tim checked by JWF
 Drawn by JWF checked by Tim
 H:\Projects\Projects\01\to\summary\08\Lighting details.dwg
 12/4/07 PM
 05/03/2008