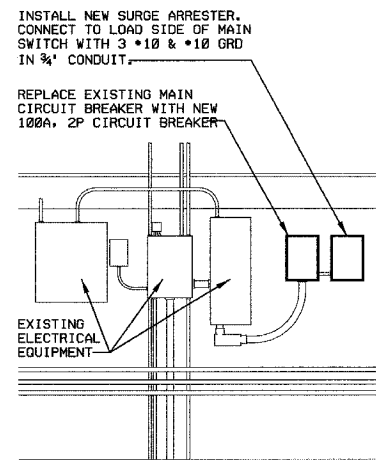


**PARTIAL SITE PLAN - BOILER HOUSE**

NOT TO SCALE

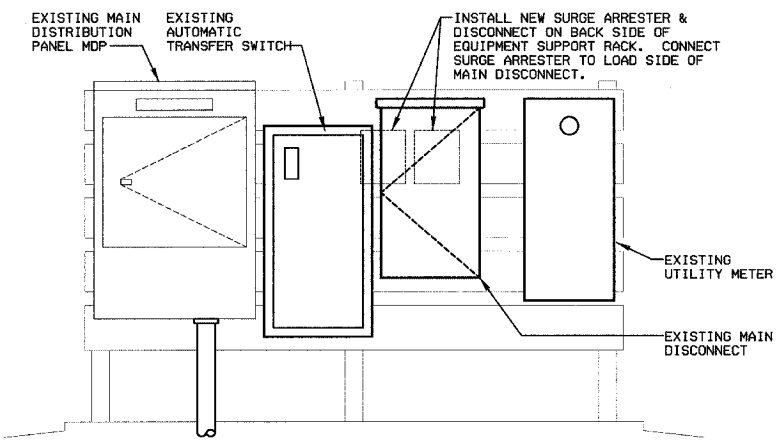
A  
E-2



**BOILER HOUSE - PANEL ELEVATION**

NOT TO SCALE

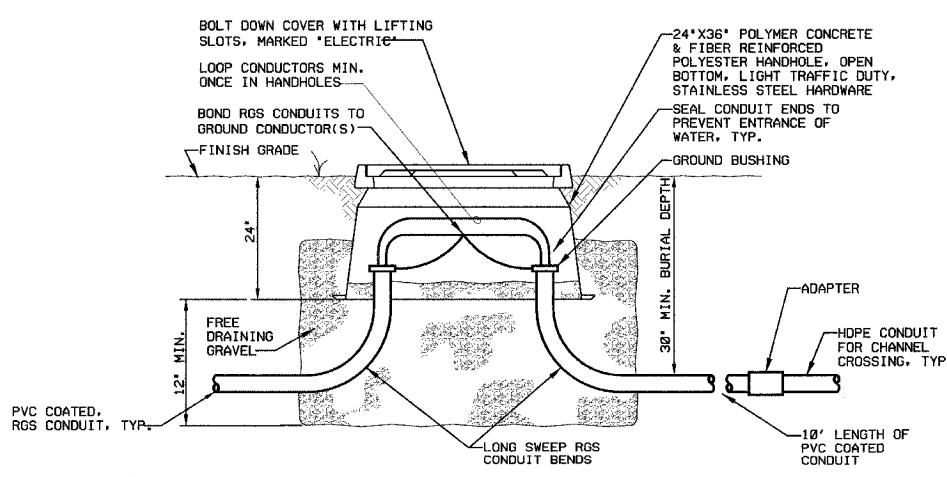
D  
E-2



**MAIN SERVICE - ELEVATIONS**

NOT TO SCALE

B  
E-2

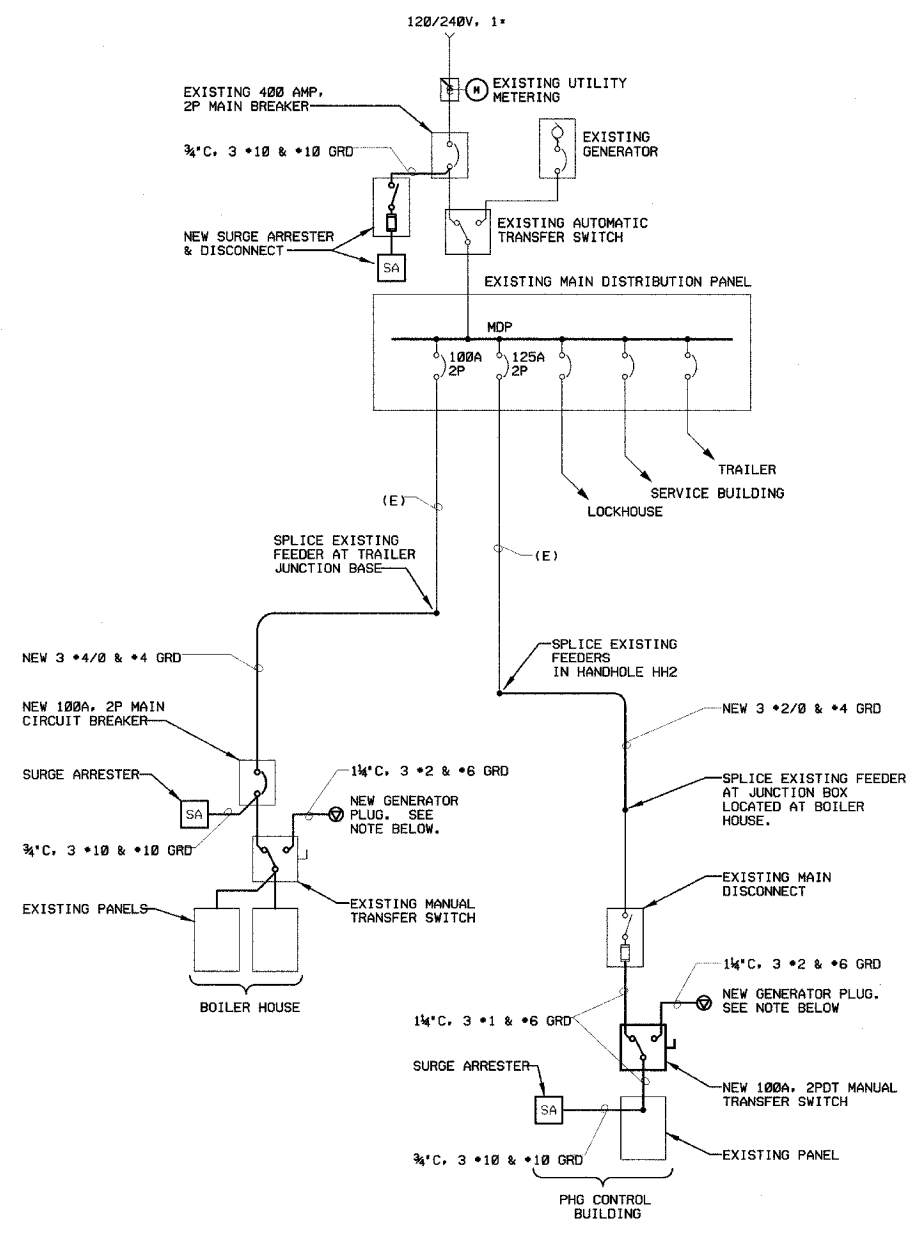


**HANDHOLE DETAIL**

NOT TO SCALE

E  
E-2

1. TYPICAL FOR HANDHOLES HH 3 & 4. SIMILAR FOR HH 5, 6 & 7 EXCEPT MIN. SIZE SHALL BE 12"X12"X24" DEEP
2. SPLICES IN HANDHOLES SHALL BE KEPT TO A MINIMUM. ALL SPLICES IN HANDHOLES SHALL BE LISTED AS SUITABLE FOR WET LOCATIONS.

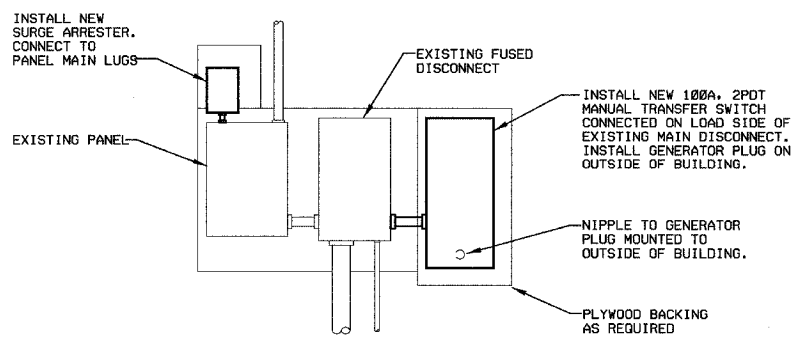


**ONE LINE DIAGRAM**

NOT TO SCALE

F  
E-2

NOTE: NEW GENERATOR PLUGS SHALL BE 100 AMP, NON-FUSED, REVERSE SERVICE PIN AND SLEEVE OUTLET WITH MECHANICAL INTERLOCK. PROVIDE MATCHING PLUG FOR USE BY OWNER.



**PHG CONTROL BUILDING - PANEL ELEVATION**

NOT TO SCALE

C  
E-2

**Cochran & Wilken, Inc.**  
Consulting Engineers & Scientists  
3201 South 51st Street Road, Springfield, IL 62703-3145  
Ph. (217) 581-2100

DESIGNED BY: RS  
 CHECKED BY: RS  
 DRAWN BY: LT  
 CHECKED BY: RS