



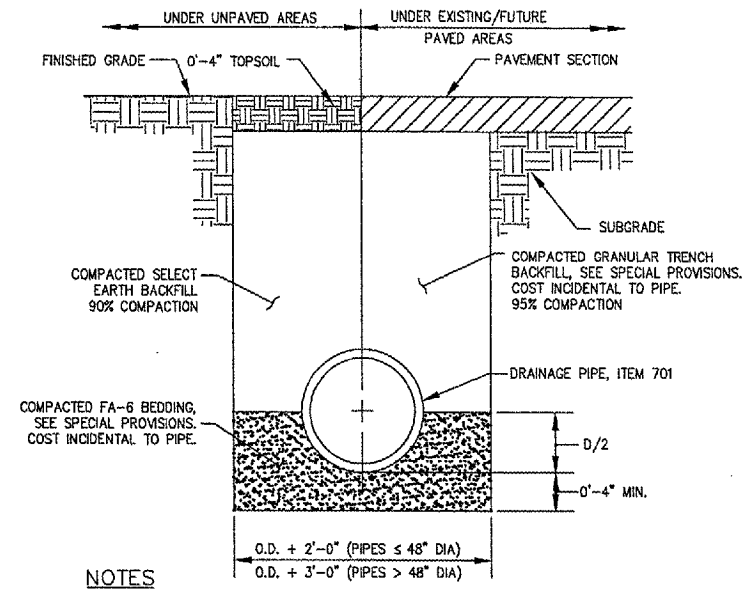
HANSON PROFESSIONAL SERVICES INC.
 815 Commerce Drive, Suite 200
 Oak Brook, Illinois 60523
 Telephone: 630.990.3800
 Fax: 630.990.3801



3580 North McAre Road
 Waukegan, Illinois 60087
 Phone: 847.244.0055
 Fax: 847.244.3813

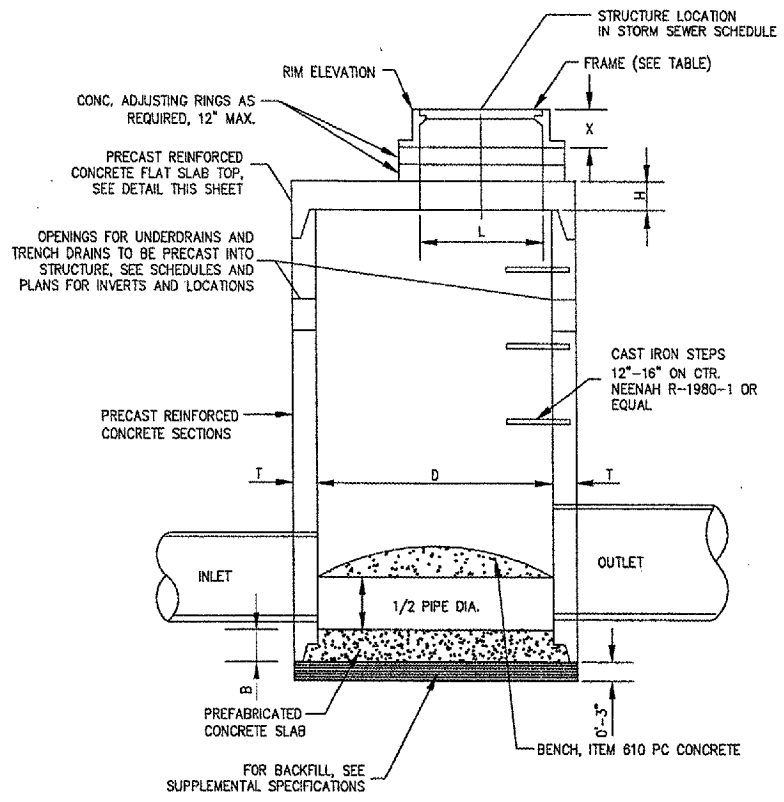
REPAIR SELECTED PAVEMENT AREAS, REHABILITATE HANGAR TAXILANES AND SERVICE ROAD, AND CONSTRUCT NEW HANGAR PAVEMENTS

A.I.P. PROJ.: 3-17-0105-B30
 IL. PROJ.: UGN-3449

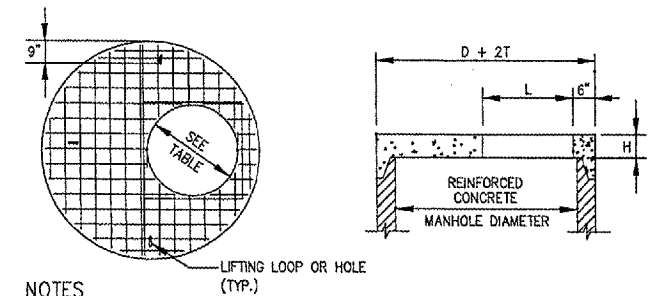


- NOTES**
1. UNSUITABLE MATERIAL ENCOUNTERED DURING PLACEMENT OF BEDDING SHALL BE REMOVED AND REPLACED.
 2. WITHIN 3 FEET OF EXISTING AND FUTURE PAVED AREA, GRANULAR BACKFILL IS TO BE USED INSTEAD OF EARTH BACKFILL.

PIPE TRENCH

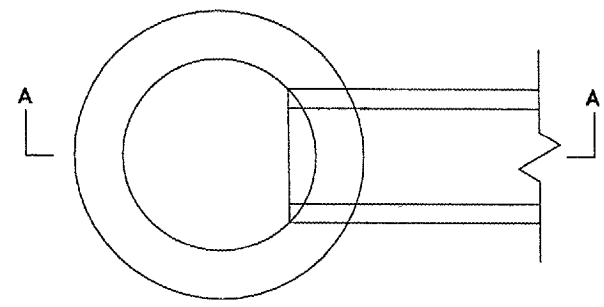


MANHOLE WITH FLAT SLAB TOP
 (IDOT STANDARDS 602406-MODIFIED)

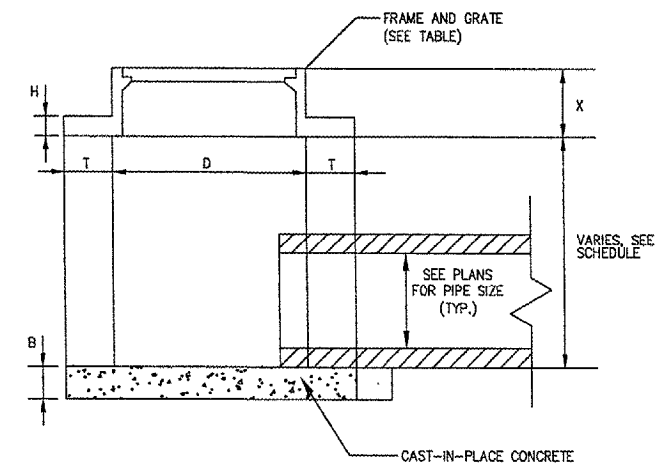


- NOTES**
1. ADDITIONAL TOP AND BOTTOM BARS PLACED ADJACENT TO ACCESS HOLE.
 2. MINIMUM 1" COVER ON STEEL BARS.
 3. THREE LIFTING LOOPS OR HOLES.
 4. MINIMUM STEEL REINFORCEMENT IN EACH DIRECTION TO BE WWF 1.06 SQ. IN./FT OR EQUIVALENT, IN ACCORDANCE WITH AASHTO M 199 AND IDOT STANDARDS.

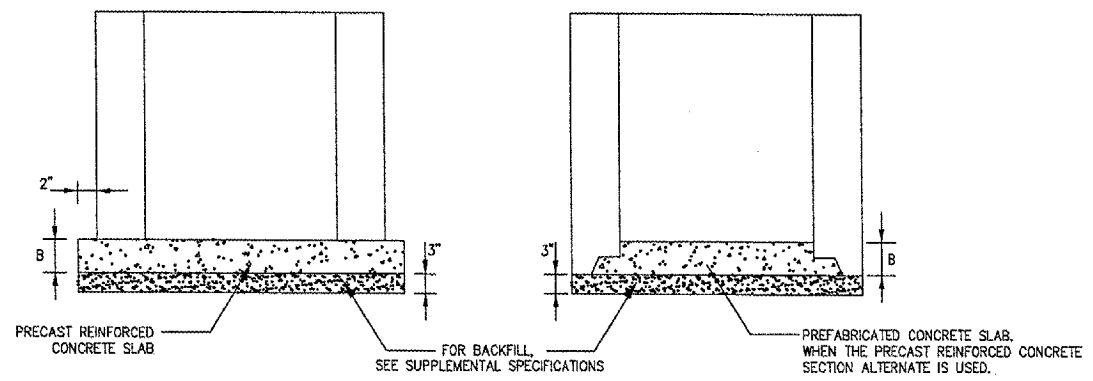
PRECAST REINFORCED CONCRETE FLAT SLAB TOP
 (DOT STANDARD 602601)



PLAN



SECTION A-A



- NOTES**
1. SEE DRAINAGE AND UNDERDRAIN SCHEDULE FOR LOCATION, SIZE AND NUMBER OF PIPE CONNECTIONS.
 2. INLETS TO BE PRECAST REINFORCED CONCRETE SECTIONS (T = 3").

INLET TYPE A
 (IDOT STANDARD 602301)

STRUCTURE NUMBER	STRUCTURE TYPE	INSIDE DIA. "D" (IN.)	WALL THICKNESS "T" (IN.)	TOP THICKNESS "H" (IN.)	BOTTOM THICKNESS "B" (IN.)	FRAME HEIGHT "X" (IN.)	HOLE OPENING "L" (IN.)	FRAME TYPE (EAST JORDAN)	COVER/GRATE (EAST JORDAN)
I-1	INLET	24	3	---	4	6	24	1020	TYPE M1
MH-4	MANHOLE	48	5	6	6	8.5	36	1585	TYPE M
MH-5	MANHOLE	48	5	6	6	8.5	36	1585	TYPE M
MH-6	MANHOLE	48	5	8	6	8.5	36	1585	TYPE M
MH-7	MANHOLE	60	5	8	8	8.5	36	1585	TYPE M
MH-8	MANHOLE	48	5	6	6	8.5	36	1585	TYPE M
MH-9	MANHOLE	48	5	6	6	8.5	36	1585	TYPE M
MH-10	MANHOLE	48	5	6	6	8.5	36	1585	TYPE M
MH-11	MANHOLE	60	5	8	8	8.5	36	1585	TYPE M
MH-16	MANHOLE	60	5	8	8	8.5	36	1585	TYPE M
MH-17	MANHOLE	60	5	8	8	8.5	36	1585	TYPE M
MH-18	MANHOLE	60	5	8	8	8.5	36	1585	TYPE M
MH-19	MANHOLE	60	5	8	8	8.5	36	1585	TYPE M

No.	Drawing Issue Description	Date	By

Date: MAY 06, 2005
 Sheet Title: DRAINAGE DETAILS

DRAINAGE DETAILS

831-04TXD
 Project Number

AAP	02/28/05
Layout By	Date
AAP	02/28/05
Designed By	Date
TMM	05/05/05
Reviewed By	Date
AAP	
Drawn By	