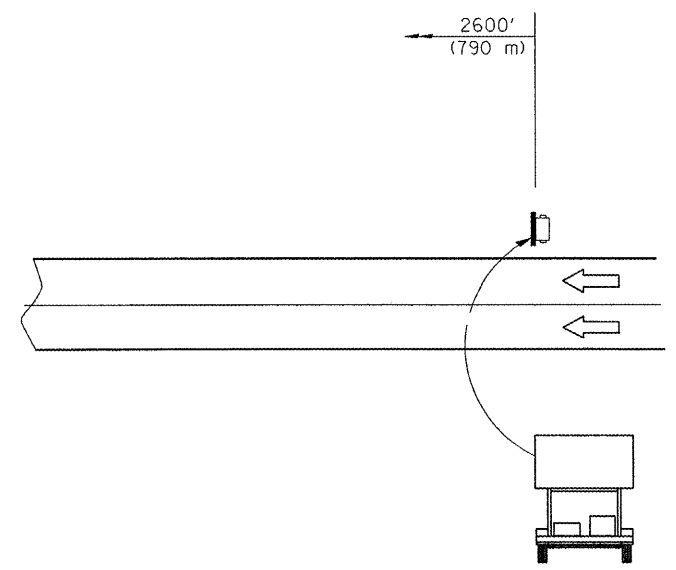






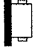
EXIT RAMP CLOSURE



MESSAGE BOARD

ROAD CONSTRUCTION
AHEAD ON RAMP
USE CAUTION

SYMBOLS

-  WORK AREA
-  SIGN
-  TYPE III BARRICADE
-  DRUM WITH STEADY BURNING LIGHT
-  PORTABLE CHANGEABLE MESSAGE SIGN

* NOTE: THIS DETAIL TO BE USED IN CONJUNCTION WITH TRAFFIC CONTROL AND PROTECTION, STANDARD, 701451

FILE NAME =	USER NAME = patelj	DESIGNED - YOGESH PATEL	REVISED -
c:\pr_work\p\idat\patelj\d0257844\0346	77-Sign Truss-shd-details.DGN	DRAWN - YOGESH PATEL	REVISED -
	PLOT SCALE = 100.0129' / IN.	CHECKED -	REVISED -
	PLOT DATE = Mar 14, 2011 - 01:52:17 PM	DATE -	REVISED -

**STATE OF ILLINOIS
DEPARTMENT OF TRANSPORTATION**

TRAFFIC CONTROL

SCALE: SHEET NO. 1 OF 1 SHEETS STA. TO STA.

F.A.I. RTE.	SECTION	COUNTY	TOTAL SHEETS	SHEET NO.
I-80	D-3 OVD SIGN STR REPL 12-04	BUREAU	17	6
ILLINOIS			CONTRACT NO. 46177	