

TYPICAL TRUSS UNIT

For Section B-B and Section C-C, see Base Sheet OSC-A-3.

Note:
There are twice as many horizontal diagonals as there are vertical diagonals.

TRUSS UNIT TABLE

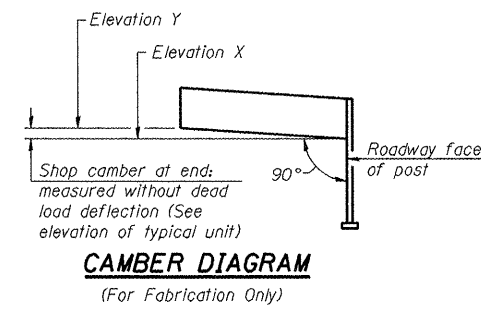
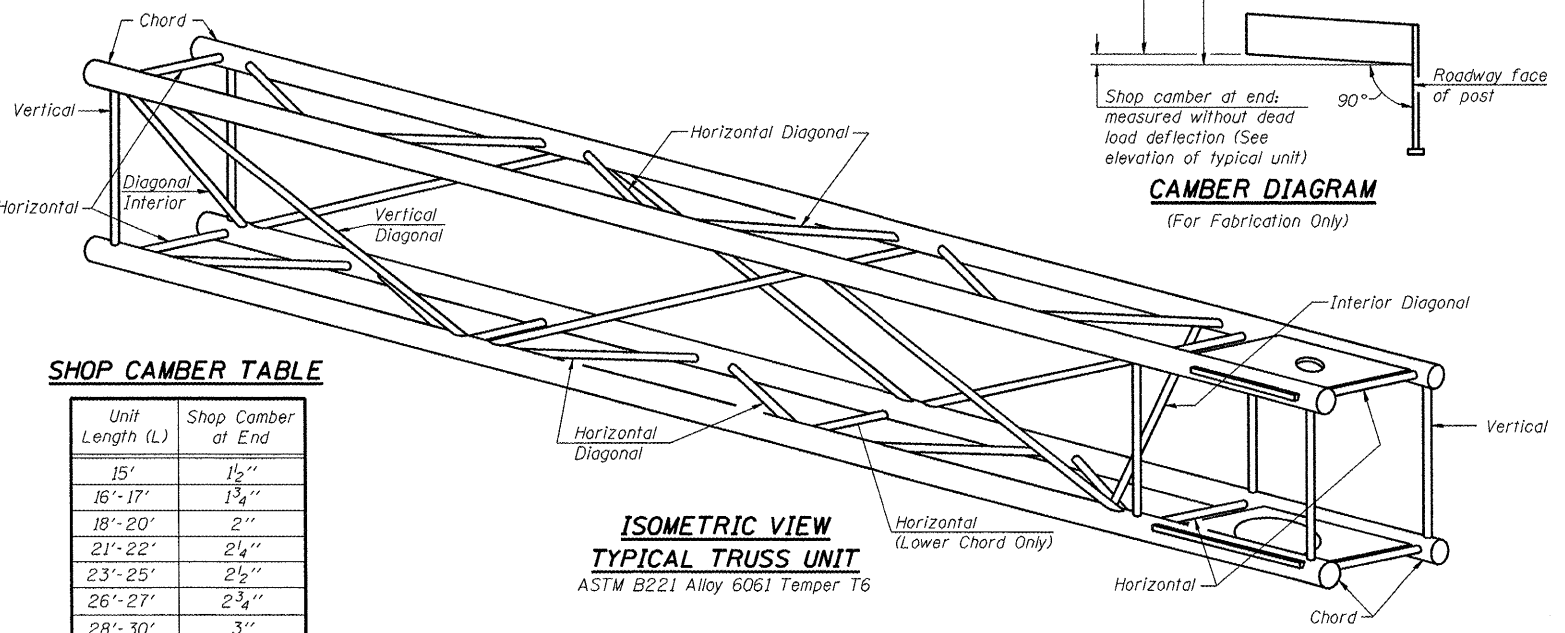
Truss Type	Dimension "a"	Dimension "b"	Dimension "s"	Limits for Panel Spacing (P)*	Up. & Low. Chord			Verticals: Horizontals; Vertical, Horizontal, and Interior Diagonals		
					O.D.	Wall	O.D.	O.D.	Wall	O.D.
I-C-A	24"	54"	16"	36" min. to 48" max.	5"	5/16"	2 1/2"	5/16"	5/16"	
II-C-A	36"	66"	21"	42" min. to 54" max.	6 1/2"	5/16"	3 1/4"	5/16"	5/16"	
III-C-A (35' Max.)	36"	84"	21"	48" min. to 66" max.	7"	3/8"	3 1/2"	3/8"	3/8"	
III-C-A (>35' to 40')	36"	84"	21"	48" min. to 66" max.	8"	3/8"	3 1/2"	3/8"	3/8"	

*P = (L - s - 3") / # Panels

Structure Number	Station	Truss Type	Design Length (L)	Number of Panels Per Unit	Panel Length (P)*
3C0061080R050.9	839+25 EB	II-C-A	30.0'	7.0	4.0'
3C0061080L051.7	886+45 WB	II-C-A	30.0'	7.0	4.0'

SHOP CAMBER TABLE

Unit Length (L)	Shop Camber at End
15'	1 1/2"
16'-17'	1 3/4"
18'-20'	2"
21'-22'	2 1/4"
23'-25'	2 1/2"
26'-27'	2 3/4"
28'-30'	3"
31'-32'	3 1/4"
33'-35'	3 1/2"
36'-37'	4"
38'-40'	4 1/2"



OSC-A-2

7-1-10

FILE NAME: c:\pw_work\pwwdot\pwwdot\pwwdot\osc-a-2.dgn	USER NAME: pwwdot	DESIGNED: YOGESH PATEL	REVISED: -
PLOT SCALE: 100.0000 1/16"	PLOT DATE: Mar 14, 2011 01:54:20 PM	DRAWN: YOGESH PATEL	REVISED: -
		CHECKED: -	REVISED: -
		DATE: -	REVISED: -

STATE OF ILLINOIS
DEPARTMENT OF TRANSPORTATION

CANTILEVER SIGN STRUCTURES - TRUSS DETAILS		F.A.I. RTE. 1-80	SECTION D-3 OVD SIGN STR REPL 12-04	COUNTY BUREAU	TOTAL SHEETS 17	SHEET NO. 8
SCALE: _____	SHEET NO. 1 OF 1 SHEETS	STA. _____	TO STA. _____	CONTRACT NO. 46177		