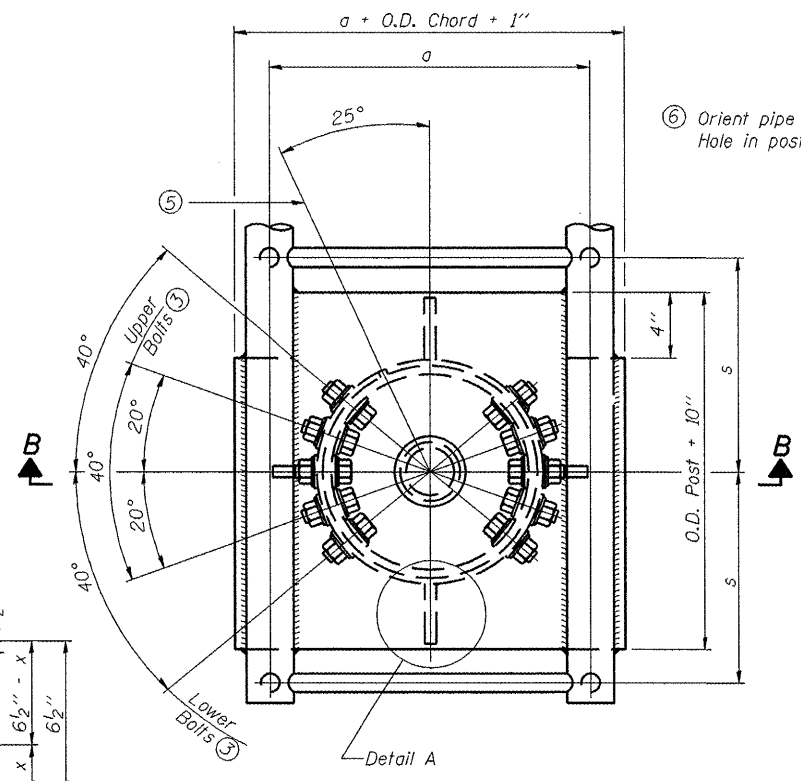


④ Collar I.D. shall be manufactured to correspond to O.D. of actual galvanized post and stainless steel sleeve plus 1/8" (± 1/16"). Maximum gap between post and collar at any location equals 1/8" before tightening bolts.

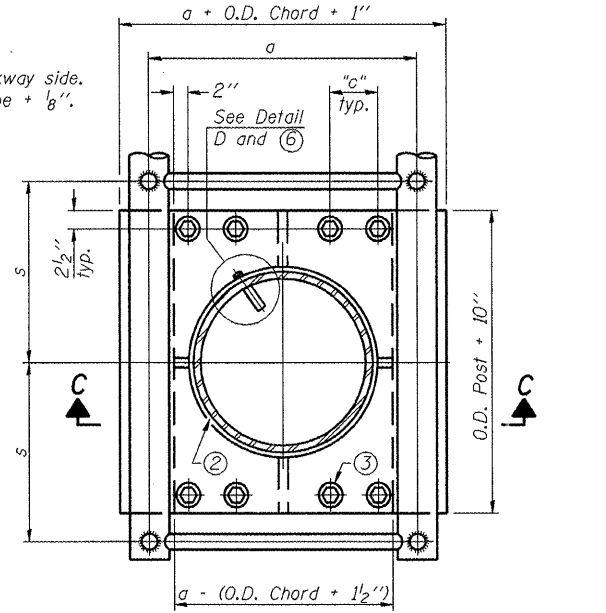
SECTION B-B

Bolts, washers (including contoured washers), and locknuts shall be stainless steel.

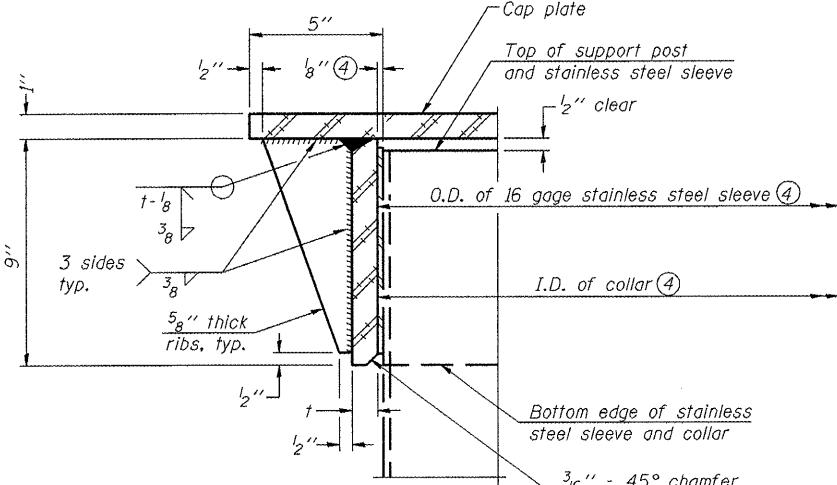


PLAN VIEW - TOP OF COLUMN

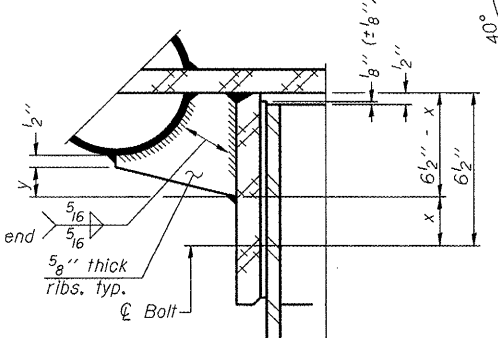
⑤ Optional full penetration weld in collar. (Two locations maximum....(180° apart)....X-ray or UT 100%)



SECTION THRU POST ABOVE LOWER CHORDS

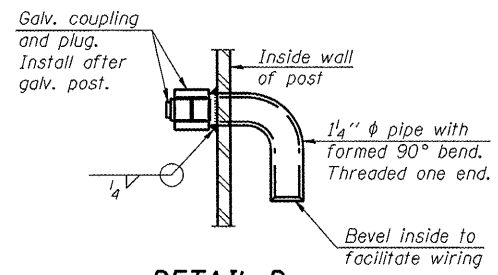


DETAIL A
(Two locations)

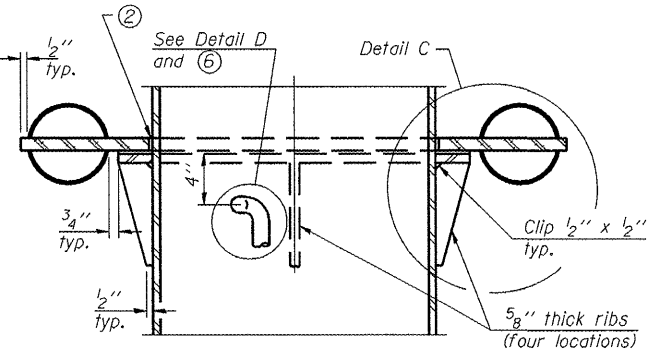


DETAIL B

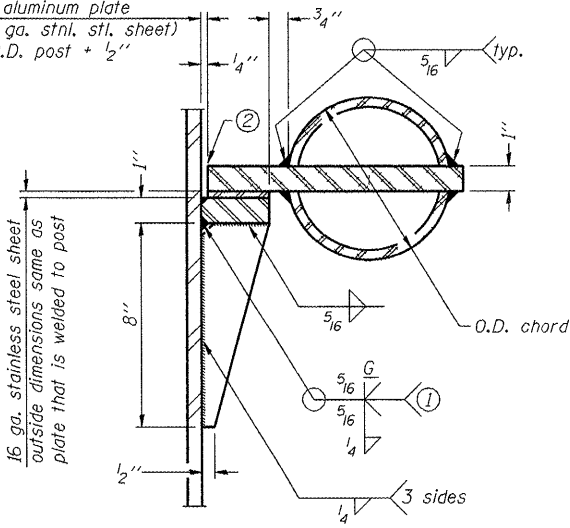
Two locations
(For details not shown, see Detail C)



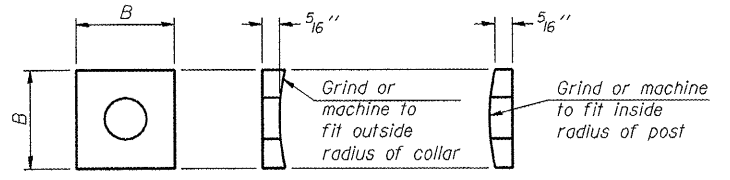
DETAIL D



SECTION C-C



DETAIL C



CONTOURED WASHERS

Bolt Size	Contoured Washers	
	Hole Dia.	B
7/8"	1"	2 1/2"
1"	1 1/8"	3"
1 1/4"	1 3/8"	3 1/4"

DETAIL OF STAINLESS STEEL SLEEVE

Weld to post after galvanizing. (Prepare post surface to insure tight, uniform fit and allow welding.) Welds to be 1/2" long at 6" cts. along top edge and at 1/4" opening.

Truss Type	Post Size	Upper & Lower Connection Bolt Diameter ③	Lower Juncture Bolt Spacing Dimension "c" ③	Opening in Cap Plate "HH"	Collar Thickness (t)	Side Ribs	
						x	y
I-C-A	16" φ (83#/')	7/8"	3 1/4"	8"	5/8"	1 3/4"	2 1/4"
II-C-A	24" φ (125#/')	1"	3 1/2"	12"	7/8"	2"	1 1/4"
III-C-A (35' max.)	24" φ (125#/')	1 1/4"	3 1/2"	12"	7/8"	2"	1"
III-C-A (>35' to 40')	24" φ (171#/')	1 1/4"	3 1/2"	12"	7/8"	2"	1"

- ① Grind top if required to fully seat aluminum plate and stainless steel sheet.
- ② After tightening lower connection bolts, fill gap with non-hardening, silicone caulk suitable for exterior exposure and acceptable to the Engineer. Cost is included in Overhead Sign Structure Cantilever.
- ③ Upper and lower connection bolts in collar and bolts at lower chord connection shall be high strength with matching locknuts. Connection bolts shall have 2 stainless steel flat washers each.

OSC-A-3

7-1-10

FILE NAME =	USER NAME = pateluj
ca:\pw\work\p\dot\pateluj\08257844\0346	77-Sign Truss-shd-details.DGN
PLOT SCALE = 100,000% / IN.	CHECKED -
PLOT DATE = Mar 14, 2011 - 01:55:39 PM	DATE -

DESIGNED - YOGESH PATEL	REVISED -
DRAWN - YOGESH PATEL	REVISED -
CHECKED -	REVISED -
DATE -	REVISED -

**STATE OF ILLINOIS
DEPARTMENT OF TRANSPORTATION**

**CANTILEVER SIGN STRUCTURES - JUNCTURE DETAILS
ALUMINUM TRUSS & STEEL POST**

SCALE: _____ SHEET NO. 1 OF 1 SHEETS STA. _____ TO STA. _____

F.A.I. RTE.	SECTION	COUNTY	TOTAL SHEETS	SHEET NO.
I-80	D-3 OVD SIGN STR REPL 12-04	BUREAU	17	10
ILLINOIS			CONTRACT NO. 46177	