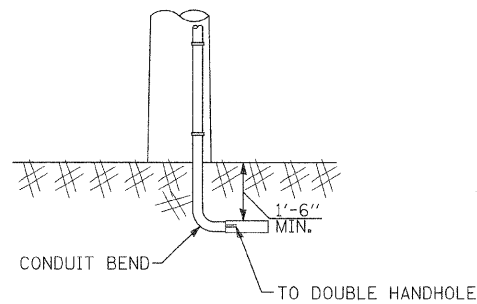
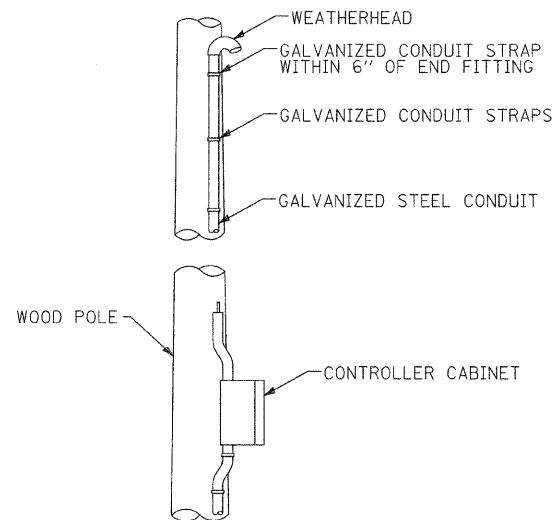
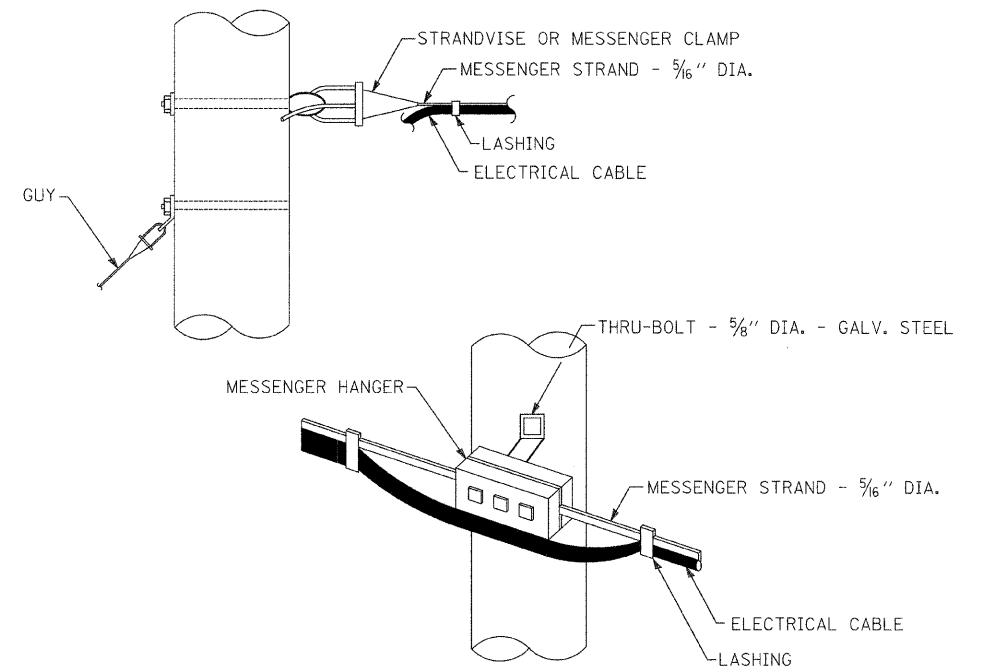


THE TRAFFIC SIGNAL CONTROL EQUIPMENT FOR THIS PROJECT SHALL BE "ECONOLITE" TO MATCH THE EXISTING ADJACENT SYSTEM.

RESTORATION OF WORK AREA, RESTORATION OF THE TRAFFIC SIGNAL WORK AREA SHALL BE INCIDENTAL TO THE RELATED PAY ITEM SUCH AS FOUNDATION, CONDUIT, HANDHOLE, TRENCH AND BACKFILL, ETC., AND NO EXTRA COMPENSATION SHALL BE ALLOWED. ALL ROADWAY SURFACES SUCH AS SHOULDERS, MEDIANS, SIDEWALKS, PAVEMENT, ETC. SHALL BE REPLACED IN KIND. ALL DAMAGE TO MOWED LAWNS SHALL BE REPLACED WITH AN APPROVED SOD, AND ALL DAMAGE TO UNMOWED FIELDS SHALL BE SEEDING IN ACCORDANCE WITH STANDARD SPECIFICATIONS 252 AND 250 RESPECTIVELY.



RISER DETAIL



ATTACHMENT DETAIL

TEMPORARY INTERCONNECT PLAN LEGEND

	PROPOSED	EXISTING
CONTROLLER		
HANDHOLE		
DOUBLE HANDHOLE		
G.S. CONDUIT IN TRENCH OR PUSHED		
TEMPORARY WOOD POLE (CLASS 5 OR BETTER) 45 FOOT (13.7m) MINIMUM		
TEMPORARY MESSENGER WIRE AND CABLE		
SYSTEM	S	I
INTERSECTION	IP	I

NOTE:

- OTHER METHODS MAY BE USED WITH PRIOR APPROVAL BY DISTRICT 1, ILLINOIS DEPARTMENT OF TRANSPORTATION.
- PROVIDE ELECTRIC CABLE IN CONDUIT, NO. 12, 2/C, AND ELECTRIC CABLE IN CONDUIT, NO. 12, 9/C BETWEEN THE TEMPORARY CONTROLLER TO THE EXISTING CONTROLLER AT PARK AVENUE. ALL LABOR, EQUIPMENT, AND MATERIALS TO PERFORM THIS WORK, INCLUDING AERIAL AND ELECTRIC CABLE IN CONDUIT, RACEWAYS, AND DRILL EXISTING HANDHOLE SHALL BE INCIDENTAL TO THE PAY ITEM "TEMPORARY TRAFFIC SIGNAL INSTALLATION."
- EXISTING RIGHT OF WAY AS SHOWN IN THE PLANS IS BASED ON EXISTING RECORD DRAWINGS, AND IS NOT A RESULT OF GROUND SURVEY.



USER NAME = #USER#	DESIGNED - RWK	REVISED -
PLOT SCALE = #SCALE#	DRAWN - RWK	REVISED -
PLOT DATE = #DATE#	CHECKED - FML	REVISED -
	DATE - 04/2011	REVISED -

STATE OF ILLINOIS
DEPARTMENT OF TRANSPORTATION

TEMPORARY TRAFFIC SIGNAL INTERCONNECTION
U.S. ROUTE 6 OVER LITTLE CALUMET RIVER

SCALE: 1"=50' SHEET NO. 1 OF 1 SHEETS STA. 200+00 TO STA. 214+00

F.A.P. RTE.	SECTION	COUNTY	TOTAL SHEETS	SHEET NO.
351	539W-1-RS	COOK	52	24
			CONTRACT NO. 60K57	
ILLINOIS FED. AID PROJECT				