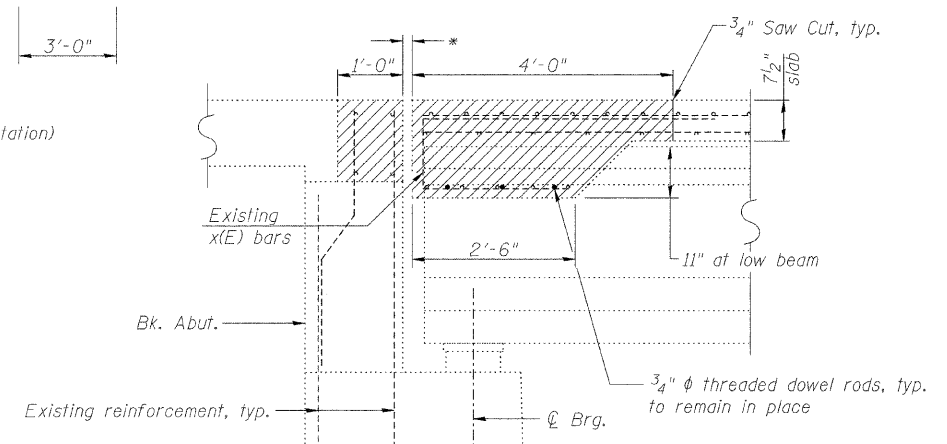


ABUTMENT PLAN
(East abutment shown, West abutment similar by rotation)



SECTION A-A

Notes:
Hatched areas indicate Concrete Removal limits. Perimeter of Concrete Removal areas shall be saw cut 3/4" prior to removal of concrete.
Removal of the existing joint system is included with Concrete Removal.
Existing x(E) bars to be cut flush with removal line. Cost included with Concrete Removal.

BILL OF MATERIAL
(2 Joints)

Item	Unit	Total
Concrete Removal	Cu. Yd.	47.5