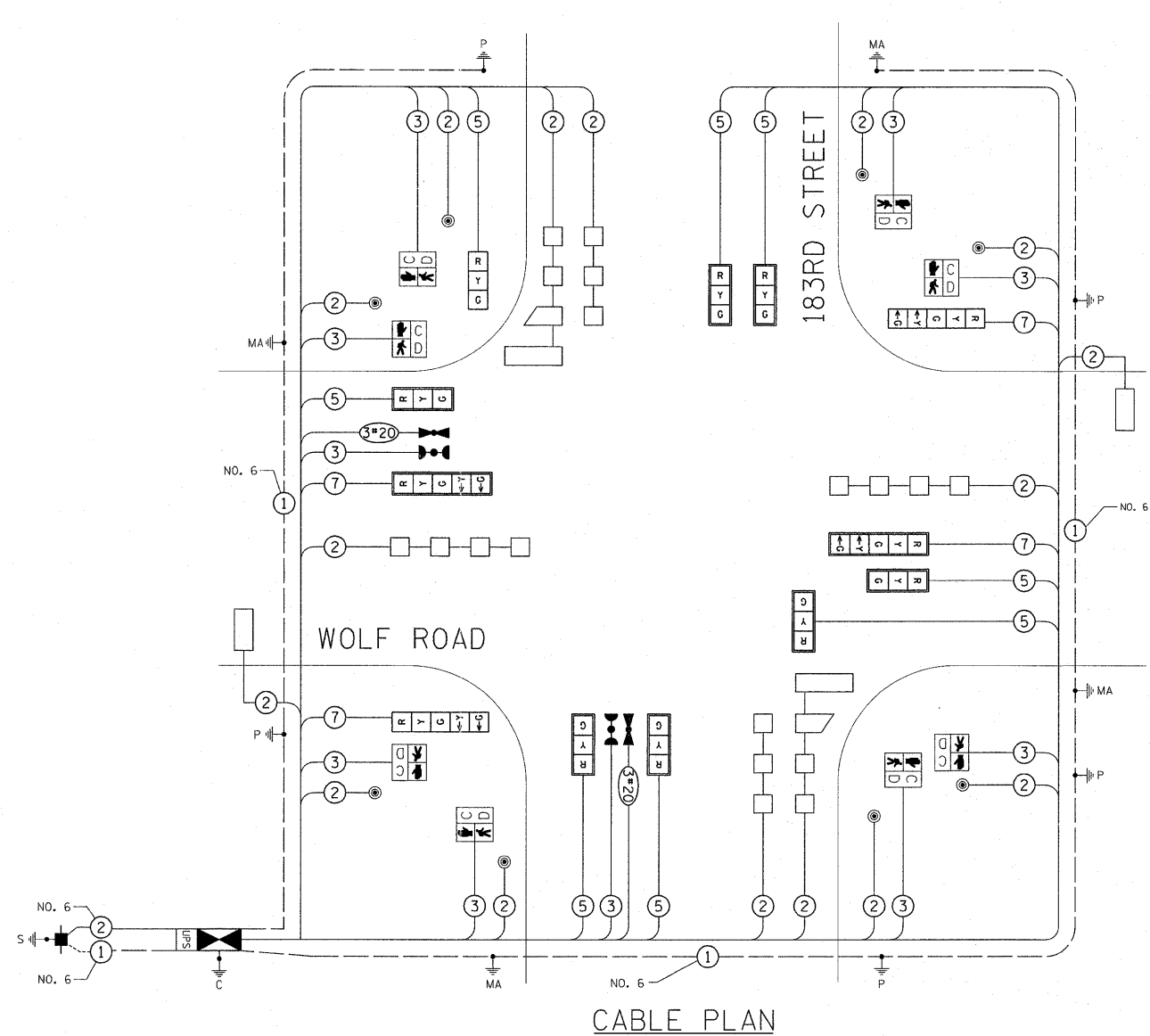


PROPOSED EMERGENCY VEHICLE PREEMPTOR			
EMERGENCY VEHICLE PREEMPTOR	3	4	
MOVEMENT	← →	↑ ↓	



RESTORATION OF WORK AREA, RESTORATION OF THE TRAFFIC SIGNAL WORK AREA SHALL BE INCIDENTAL TO THE RELATED PAY ITEM SUCH AS FOUNDATION, CONDUIT, HANDHOLE, TRENCH AND BACKFILL, ETC., AND NO EXTRA COMPENSATION SHALL BE ALLOWED. ALL ROADWAY SURFACES SUCH AS SHOULDERS, MEDIAN, SIDEWALKS, PAVEMENT, ETC. SHALL BE REPLACED IN KIND. ALL DAMAGE TO MOWED LAWNS SHALL BE REPLACED WITH AN APPROVED SOD, AND ALL DAMAGE TO UNMOWED FIELDS SHALL BE SEED IN ACCORDANCE WITH STANDARD SPECIFICATIONS 252 AND 250 RESPECTIVELY.

SCHEDULE OF QUANTITIES

QUANTITY	UNIT	ITEM	QUANTITY	UNIT	ITEM
25.5	SO FT	SIGN PANEL - TYPE 1	1	EACH	STEEL MAST ARM ASSEMBLY AND POLE, 48 FT.
562	FOOT	CONDUIT IN TRENCH, 2" DIA., GALVANIZED STEEL	20	FOOT	CONCRETE FOUNDATION, TYPE A
46	FOOT	CONDUIT IN TRENCH, 2 1/2" DIA., GALVANIZED STEEL	4	FOOT	CONCRETE FOUNDATION, TYPE C
129	FOOT	CONDUIT IN TRENCH, 3" DIA., GALVANIZED STEEL	51	FOOT	CONCRETE FOUNDATION, TYPE E 36-INCH DIAMETER
94	FOOT	CONDUIT IN TRENCH, 4" DIA., GALVANIZED STEEL	6	EACH	SIGNAL HEAD, L.E.D., 1-FACE, 3-SECTION, MAST ARM MOUNTED
183	FOOT	CONDUIT PUSHED, 2" DIA., GALVANIZED STEEL	2	EACH	SIGNAL HEAD, L.E.D., 1-FACE, 3-SECTION, BRACKET MOUNTED
289	FOOT	CONDUIT PUSHED, 4" DIA., GALVANIZED STEEL	2	EACH	SIGNAL HEAD, L.E.D., 1-FACE, 5-SECTION, MAST ARM MOUNTED
3	EACH	HANDHOLE	2	EACH	SIGNAL HEAD, L.E.D., 1-FACE, 5-SECTION, BRACKET MOUNTED
6	EACH	HEAVY-DUTY HANDHOLE	8	EACH	PEDESTRIAN SIGNAL HEAD, L.E.D., 1-FACE, BRACKET MOUNTED WITH COUNTDOWN TIMER
1	EACH	DOUBLE HANDHOLE	8	EACH	TRAFFIC SIGNAL BACKPLATE, LOUVERED, ALUMINUM
1044	FOOT	TRENCH AND BACKFILL FOR ELECTRICAL WORK	8	EACH	INDUCTIVE LOOP DETECTOR
1	EACH	FULL-ACTUATED CONTROLLER AND TYPE IV CABINET	8	EACH	DETECTOR LOOP, TYPE I
1545	FOOT	ELECTRIC CABLE IN CONDUIT, SIGNAL NO. 14 2C	1249	FOOT	DETECTOR LOOP, TYPE I
2015	FOOT	ELECTRIC CABLE IN CONDUIT, SIGNAL NO. 14 3C	* 2	EACH	LIGHT DETECTOR
1975	FOOT	ELECTRIC CABLE IN CONDUIT, SIGNAL NO. 14 5C	* 1	EACH	LIGHT DETECTOR AMPLIFIER
920	FOOT	ELECTRIC CABLE IN CONDUIT, SIGNAL NO. 14 7C	8	EACH	PEDESTRIAN PUSH-BUTTON
1795	FOOT	ELECTRIC CABLE IN CONDUIT, LEAD-IN, NO. 14 1-PAIR	1	EACH	SERVICE INSTALLATION, POLE MOUNT
65	FOOT	ELECTRIC CABLE IN CONDUIT, SERVICE, NO. 6 2C	1	EACH	UNINTERRUPTIBLE POWER SUPPLY
2	EACH	TRAFFIC SIGNAL POST, GALVANIZED STEEL 10 FT.	1775	FOOT	ELECTRIC CABLE IN CONDUIT, GROUNDING, NO. 6 1C
1	EACH	TRAFFIC SIGNAL POST, GALVANIZED STEEL 14 FT.	* 395	FOOT	ELECTRIC CABLE IN CONDUIT, NO. 20 3/C, TWISTED, SHIELDED
2	EACH	TRAFFIC SIGNAL POST, GALVANIZED STEEL 16 FT.	1	EACH	STEEL MAST ARM ASSEMBLY AND POLE WITH DUAL MAST ARMS, 30 FT. AND 46 FT.
1	EACH	STEEL MAST ARM ASSEMBLY AND POLE, 38 FT.			
1	EACH	STEEL MAST ARM ASSEMBLY AND POLE, 44 FT.			

I.D.O.T. TRAFFIC SIGNAL INSTALLATION ELECTRICAL SERVICE REQUIREMENTS					TOTAL WATTAGE
TYPE	NO. LAMPS	WATTAGE INCAND.	LED	% OPERATION	
SIGNAL (RED)	12		17	0.50	102.00
(YELLOW)	12		25	0.25	75.00
(GREEN)	12		15	0.25	45.00
ARROW	8		12	0.10	9.60
PED. SIGNAL	8		25.29	1.00	232.00
CONTROLLER	1		100	1.00	100.00
ILLUM. SIGN	-		25	0.05	-
FLASHER					0.05
ENERGY COSTS TO:					TOTAL = 563.60

ILLINOIS DEPARTMENT OF TRANSPORTATION
 DIVISION OF HIGHWAY/DISTRICT 1
 201 WEST CENTER COURT/SCHAUMBURG, ILLINOIS 60196-1096
 ENERGY SUPPLY CONTACT: KATHERINE SUGRUE
 PHONE: (708) 235-2337
 COMPANY: COMMONWEALTH EDISON

* 100% COST TO THE ORLAND FIRE PROTECTION DISTRICT

APEX
 CONSULTING ENGINEERS, LLC
 111 E. Wacker Drive, Suite 520
 Chicago, IL 60601