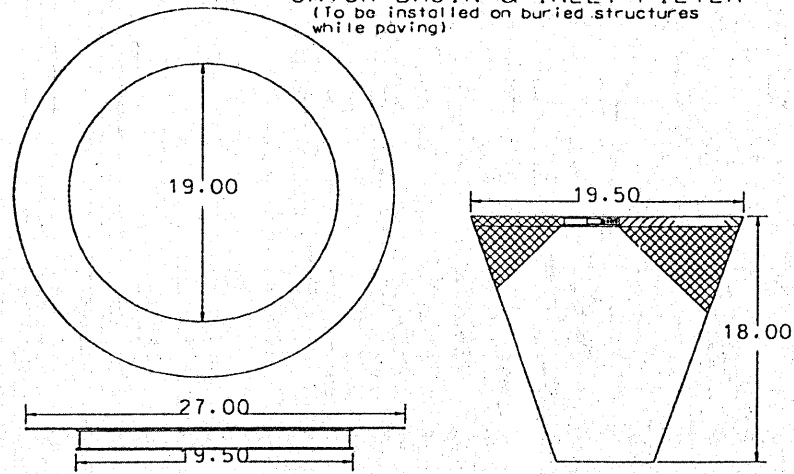


F.A.U. RTE.	SECTION	COUNTY	TOTAL SHEETS	SHEET NO.
2688	44 R-N	COOK/WILL	68	55
FED. ROAD DIST. NO. 1	ILLINOIS	CONTRACT NO. 60K66		

CATCH BASIN & INLET FILTER
 (To be installed on buried structures while paving)



NOTES:
 FRAME: Flange shall be fabricated from 1/8" flat stock. Base ring shall be fabricated from 1 1/2" x 1/2" x 1/8" channel.

REVISIONS		ILLINOIS DEPARTMENT OF TRANSPORTATION
NAME	DATE	
		INLET FILTER DETAILS
SCALE		DRAWN BY
DATE		