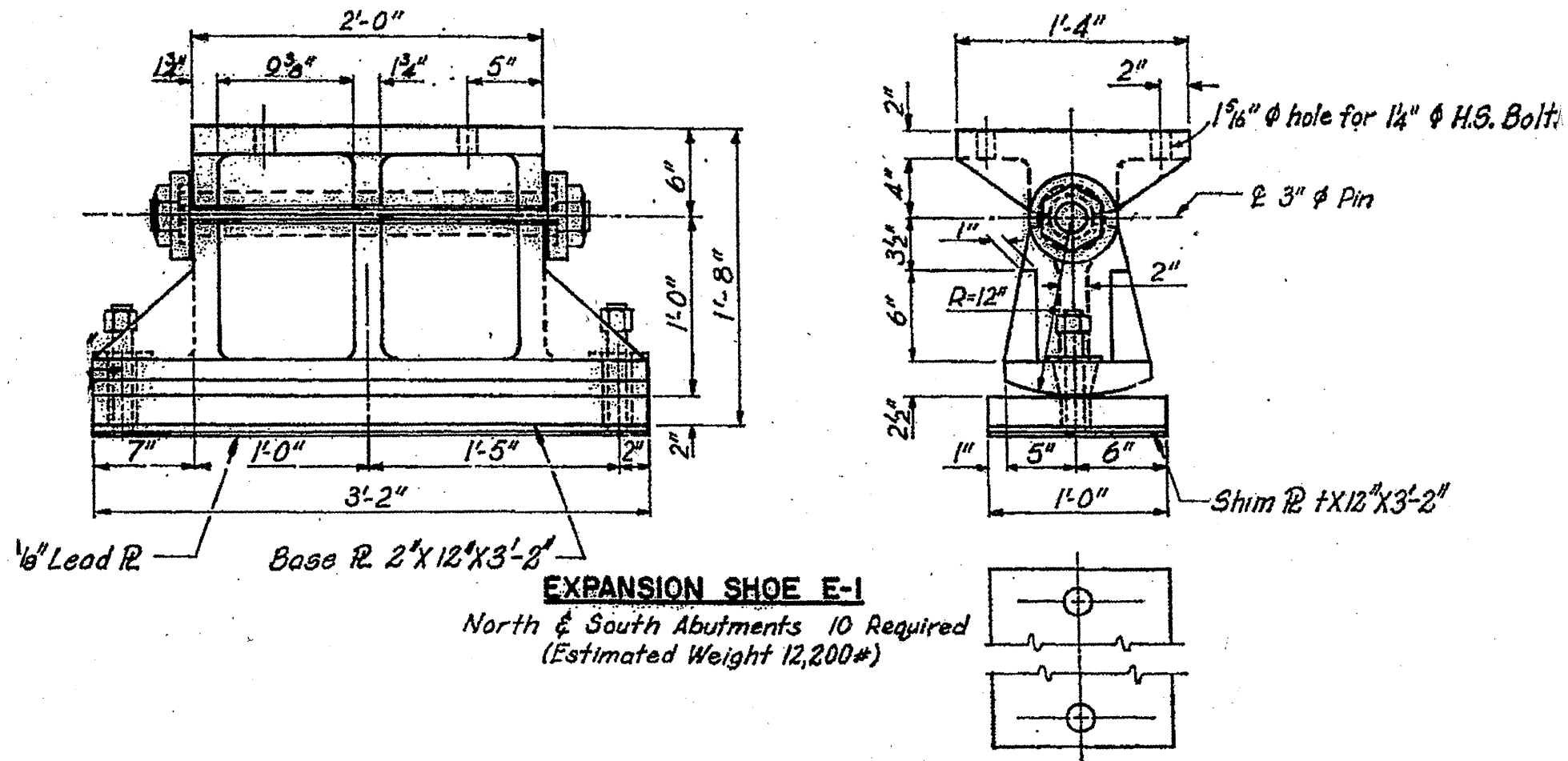


ROUTE	SECTION	COUNTY	TOTAL SHEETS	SHEET NUMBER
VARIOUS	2010-055 BP	COOK AND WILL	20	15

CONTRACT NO. 60L30



ILLINOIS DEPARTMENT OF
 TRANSPORTATION

EXISTING BRIDGE PLAN
 LOCATION 1: SN 016-0540