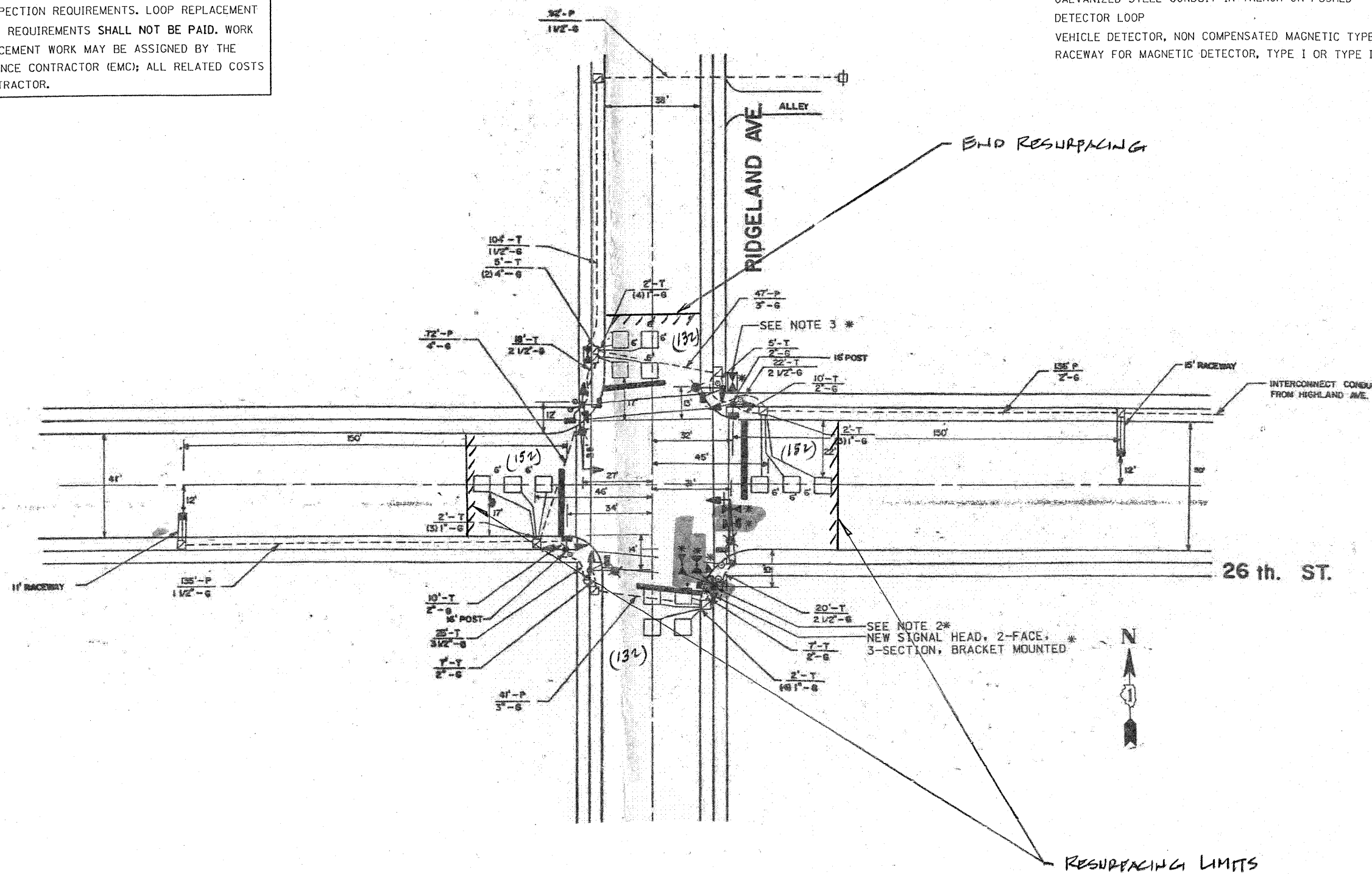


WORK SHALL MEET THE REQUIREMENTS OF THE SPECIAL PROVISION, "TRAFFIC SIGNAL SPECIFICATIONS FOR DETECTOR LOOP REPLACEMENT AND/OR INSTALLATION ON ROADWAY GRINDING, RESURFACING AND PATCHING OPERATIONS". SPECIAL ATTENTION MUST BE MADE TO THE SECTIONS "INSPECTION OF CONSTRUCTION" AND "DETECTOR LOOP REPLACEMENT" FOR INSTALLATION AND INSPECTION REQUIREMENTS. LOOP REPLACEMENT WORK THAT DOES NOT MEET THE CONTRACT REQUIREMENTS SHALL NOT BE PAID. WORK NECESSARY TO COMPLETE THE LOOP REPLACEMENT WORK MAY BE ASSIGNED BY THE ENGINEER TO IDOT'S ELECTRICAL MAINTENANCE CONTRACTOR (EMC); ALL RELATED COSTS WILL BE THE RESPONSIBILITY OF THE CONTRACTOR.

**TRAFFIC SIGNAL LEGEND**

	PROPOSED	EXISTING
SIGNAL HEAD WITH BACKPLATE	⊕	⊕
SIGNAL HEAD	⊖	⊖
GALVANIZED STEEL CONDUIT IN TRENCH OR PUSHED	---	---
DETECTOR LOOP	□	□
VEHICLE DETECTOR, NON COMPENSATED MAGNETIC TYPE		⊓
RACEWAY FOR MAGNETIC DETECTOR, TYPE I OR TYPE II		⊓



**THIS PLAN IS FOR THE SOLE PURPOSE OF DETECTOR LOOP REPLACEMENTS ONLY**

**REPLACE ALL DETECTOR LOOPS AS SHOWN (WITHIN THE RESURFACING LIMITS)**

CODE	QUANTITY	UNIT	ITEM
86600600	568	FOOT	DETECTOR LOOP, REPLACEMENT

FILE NAME =	USER NAME = nguyensm	DESIGNED -	REVISED -
ct:\pw_work\pwidot\nguyensm\0112618\F1eser.dgn		DRAWN -	REVISED -
		CHECKED -	REVISED -
		DATE -	REVISED -

**STATE OF ILLINOIS  
DEPARTMENT OF TRANSPORTATION**

**DISTRICT ONE - DETECTOR LOOP REPLACEMENT  
RIDGELAND AV. @ 26TH STREET**

F.A.U. RTE.	SECTION	COUNTY	TOTAL SHEETS	SHEET NO.
2783	2010-106-RS	COOK	19	8
FED. ROAD DIST. NO.			ILLINOIS FED. AID PROJECT	
			CONTRACT NO. 60M32	