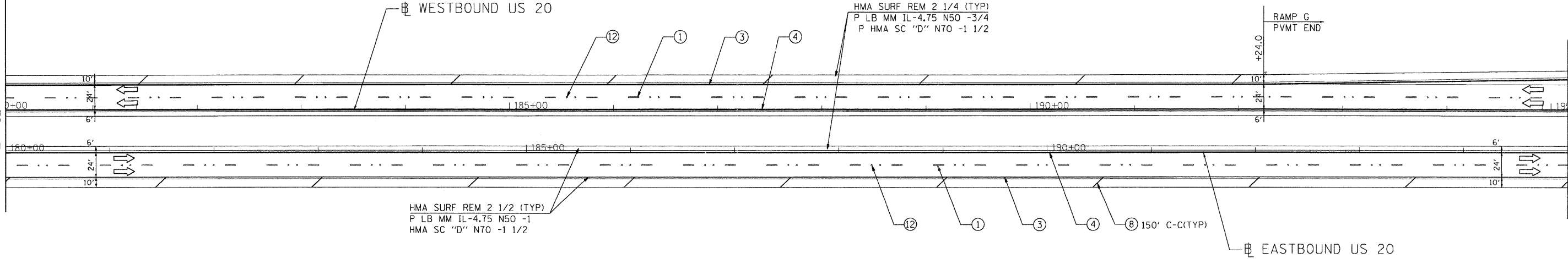


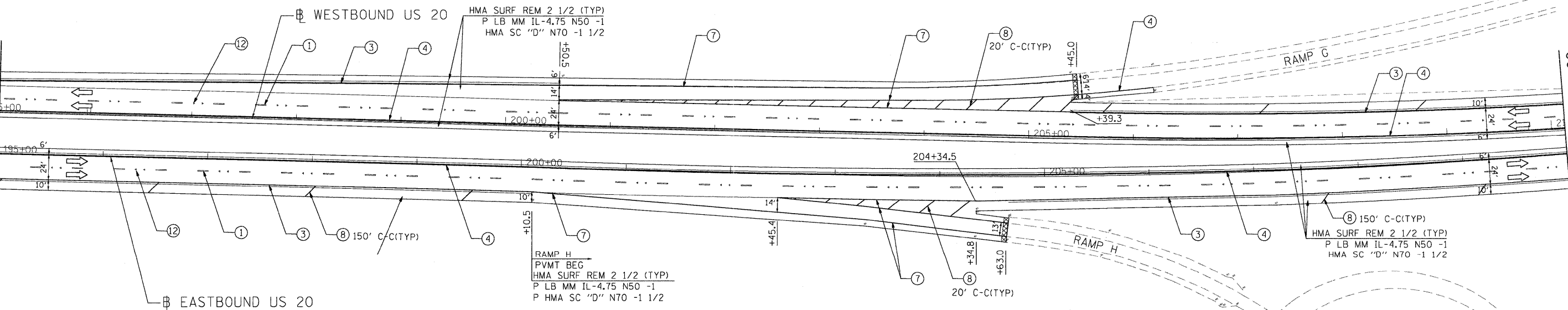
HMA SURFACE REMOVAL -3" (MAINLINE)
 RESURFACE WITH:
 POLYMERIZED LEVELING BINDER (MACHINE METHOD), IL-4.75, N50 -1"
 POLYMERIZED HMA SURFACE COURSE, STONE MATRIX ASPHALT, N80 -2"

MATCHLINE STA. 180+00
 SEE SHEET 12



MATCHLINE STA. 195+00

MATCHLINE STA. 195+00



MATCHLINE STA. 210+00
 SEE SHEET 14

FILE NAME = p:\2009\me0906\var-ver-phl\acadd\wo21.us20\shs\0160M46-06-Prp05.dgn
 USER NAME = MILLENNIA PROFESSIONAL SERVICES



200 22ND Street, Suite 216, Lombard, IL 60148
 630.785.8110 voice, 630.839.2566 fax
 www.mps-ill.com

MILLENNIA PROFESSIONAL SERVICES

DESIGNED -	CJD	REVISED -	
DRAWN -	CJD	REVISED -	
CHECKED -	TVN	REVISED -	
DATE -	4/1/2011	REVISED -	

STATE OF ILLINOIS
 DEPARTMENT OF TRANSPORTATION

US ROUTE 20 (LAKE STREET)
 RANDALL RD TO SHALES PARKWAY

ROADWAY & PAVEMENT
 MARKING PLAN

F.A.P. RTE.	SECTION	COUNTY	TOTAL SHEETS	SHEET NO.
345	BR-1-RS-4	KANE/COOK	124	13
CONTRACT NO. 60M46				

SCALE: SHEET NO. OF SHEETS STA. TO STA.

FED. ROAD DIST. NO. 1 ILLINOIS FED. AID PROJECT