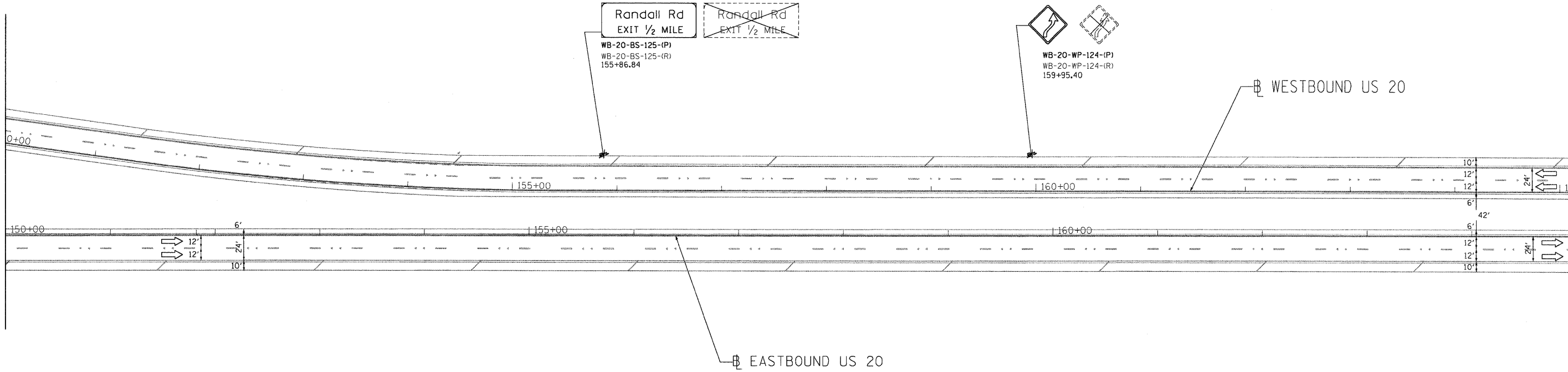


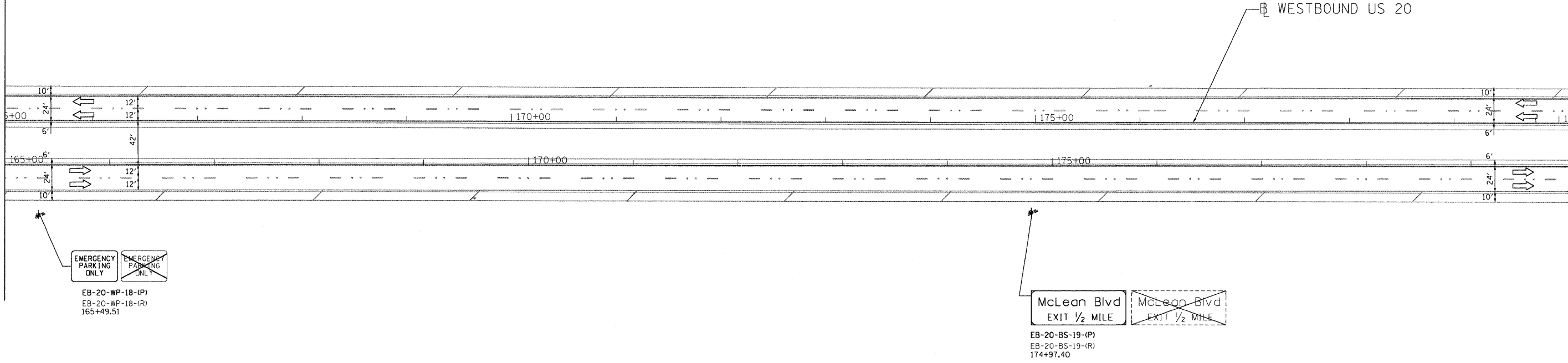
MATCHLINE STA. 150+00  
SEE SHEET 28

MATCHLINE STA. 165+00



MATCHLINE STA. 165+00

MATCHLINE STA. 180+00  
SEE SHEET 30



FILE NAME : P:\2009\ME09086\_Ver-Vor-P\IT\CADD\M021.US20\Shets\DI60M46-29-Sign04.dgn  
 USER NAME : Millennium\_Professional Services



200 21ND Street, Suite 216, Lombard, IL 60148  
 630.765.0110 voice, 630.839.2566 fax  
 www.mps-ll.com  
**MILLENNIA PROFESSIONAL SERVICES**

DESIGNED	CJD	REVISED	-
DRAWN	CJD	REVISED	-
CHECKED	TVN	REVISED	-
DATE	4/4/2011	REVISED	-

**STATE OF ILLINOIS**  
**DEPARTMENT OF TRANSPORTATION**

**US ROUTE 20 (LAKE STREET)**  
**RANDALL RD TO SHALES PARKWAY**

**SIGNING PLAN**

SCALE: SHEET NO. OF SHEETS STA. TO STA.

F.A.P. RTE.	SECTION	COUNTY	TOTAL SHEETS	SHEET NO.
345	8R-1-RS-4	KANE/COOK	124	29
CONTRACT NO. 60M46				
FED. ROAD DIST. NO. 1 ILLINOIS FED. AID PROJECT				

P:\2009\ME09086\_Ver-Vor-P\IT\CADD\M021.US20\Shets\DI60M46-29-Sign04.dgn