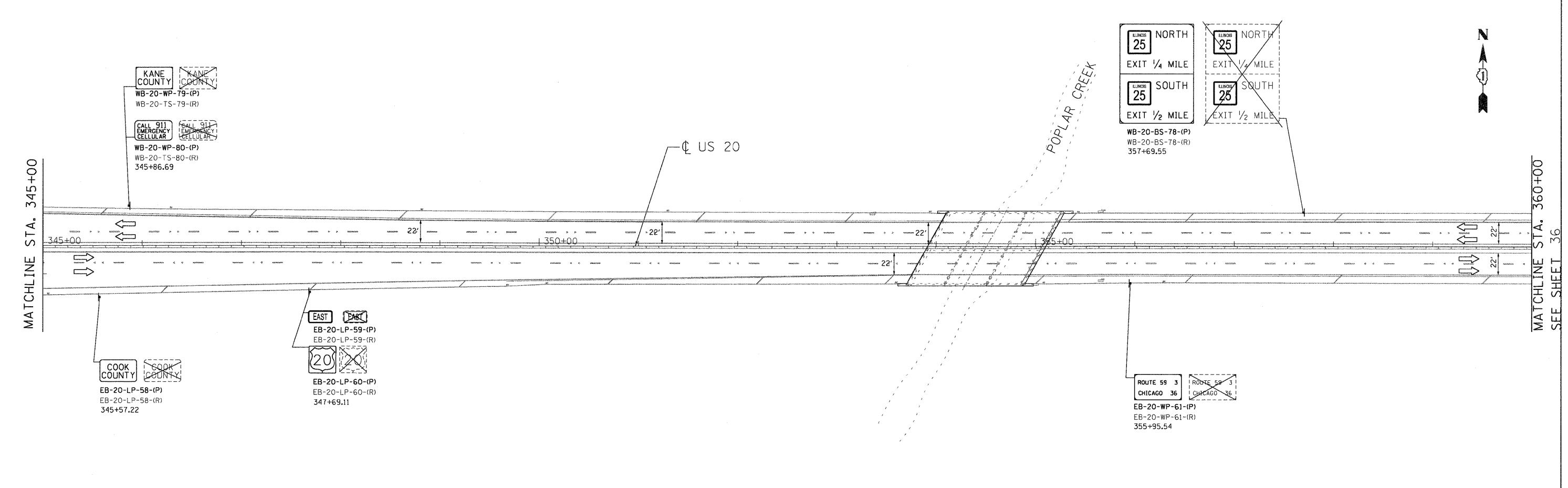
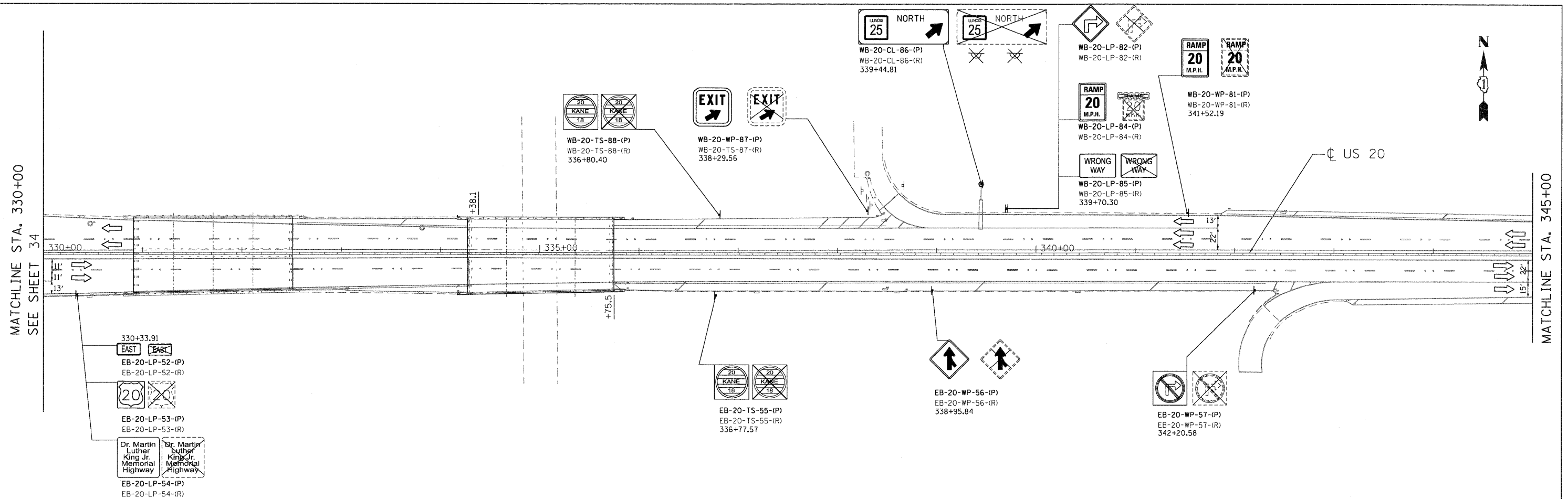


FILE NAME : F:\2009\MEP\906E_Ver_Ver_Plan\CADD\M02LUS20\Shets\0160M46-36-Sign10.dgn
 USER NAME : Millennium Professional Services



MILLENNIA PROFESSIONAL SERVICES
 200 22ND Street, Suite 216, Lombard, IL 60148
 630.795.8110 voice, 630.839.2566 fax
 www.mps-ll.com

DESIGNED -	CJD	REVISED -	
DRAWN -	CJD	REVISED -	
CHECKED -	TVN	REVISED -	
DATE -	4/4/2011	REVISED -	

**STATE OF ILLINOIS
 DEPARTMENT OF TRANSPORTATION**

**US ROUTE 20 (LAKE STREET)
 RANDALL RD TO SHALES PARKWAY**

SIGNING PLAN

SCALE: SHEET NO. OF SHEETS STA. TO STA.

F.A.P. RTE.	SECTION	COUNTY	TOTAL SHEETS	SHEET NO.
345	BR-1-RS-4	KANE/COOK	124	35
CONTRACT NO. 60M46				
FED. ROAD DIST. NO. 1 ILLINOIS FED. AID PROJECT				

F:\2009\MEP\906E_Ver_Ver_Plan\CADD\M02LUS20\Shets\0160M46-36-Sign10.dgn