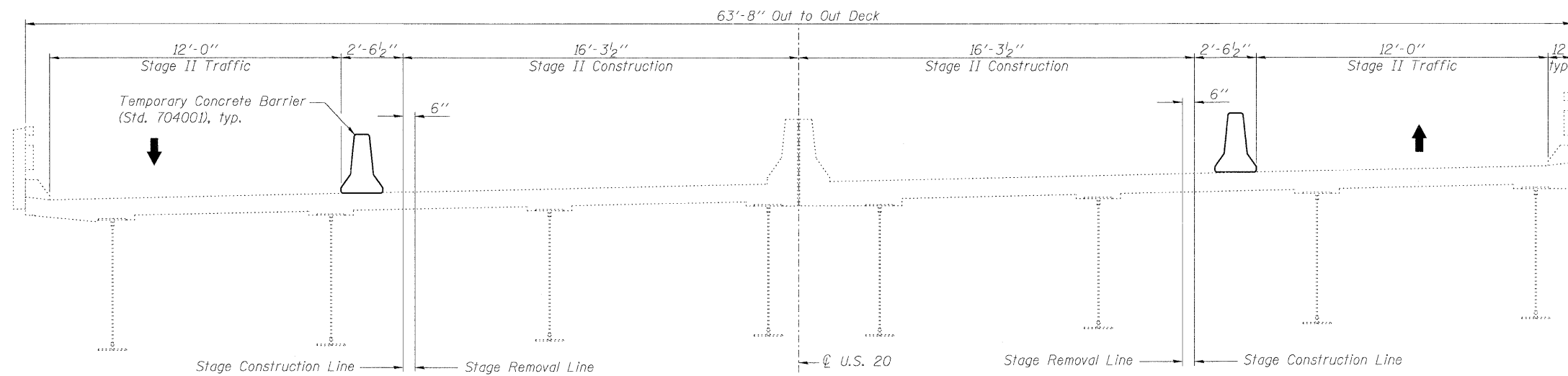


**STAGE I CONSTRUCTION & REMOVAL**  
(Looking East)



**STAGE II CONSTRUCTION & REMOVAL**  
(Looking East)

USER NAME =	DESIGNED - TBP	REVISED -
FILE NAME =	CHECKED - ADB	REVISED -
PLOT SCALE =	DRAWN - AJF	REVISED -
PLOT DATE =	CHECKED - MTH	REVISED -

F.A.P. RTE.	SECTION	COUNTY	TOTAL SHEETS	SHEET NO.
345	BR-1-RS-4	KANE	124	74
CONTRACT NO. 60M46				
ILLINOIS FED. AID PROJECT				