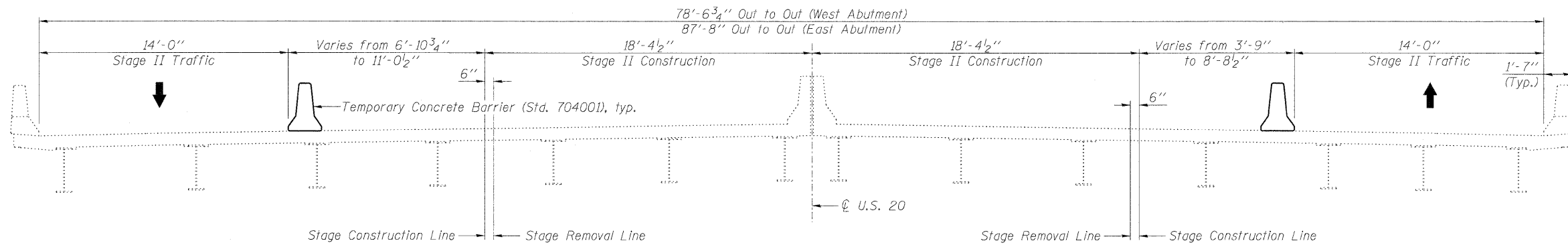


STAGE I REMOVAL & CONSTRUCTION

(Looking East)



STAGE II REMOVAL & CONSTRUCTION

(Looking East)



USER NAME =	DESIGNED - TBP	REVISED -
FILE NAME =	CHECKED - ADB	REVISED -
PLOT SCALE =	DRAWN - AJF	REVISED -
PLOT DATE =	CHECKED - MTH	REVISED -

**STATE OF ILLINOIS
DEPARTMENT OF TRANSPORTATION**

**STAGE CONSTRUCTION DETAILS
STRUCTURE NO. 045-0005**

SHEET NO. 2 OF 4 SHEETS

F.A.P. RTE.	SECTION	COUNTY	TOTAL SHEETS	SHEET NO.
345	BR-1-RS-4	KANE	124	81
CONTRACT NO. 60M46				ILLINOIS FED. AID PROJECT