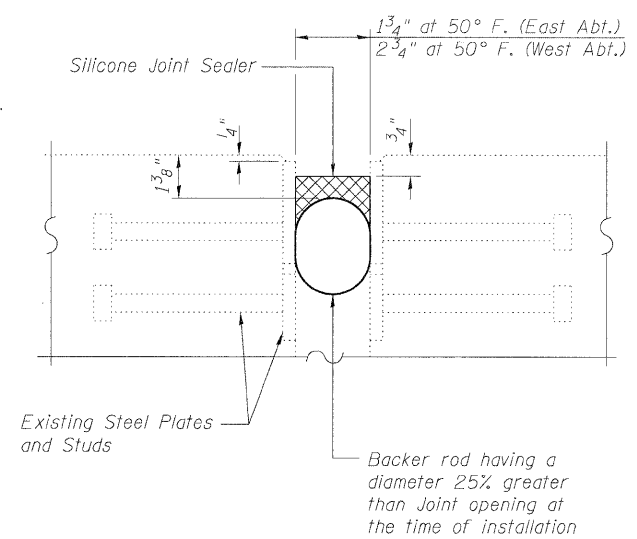
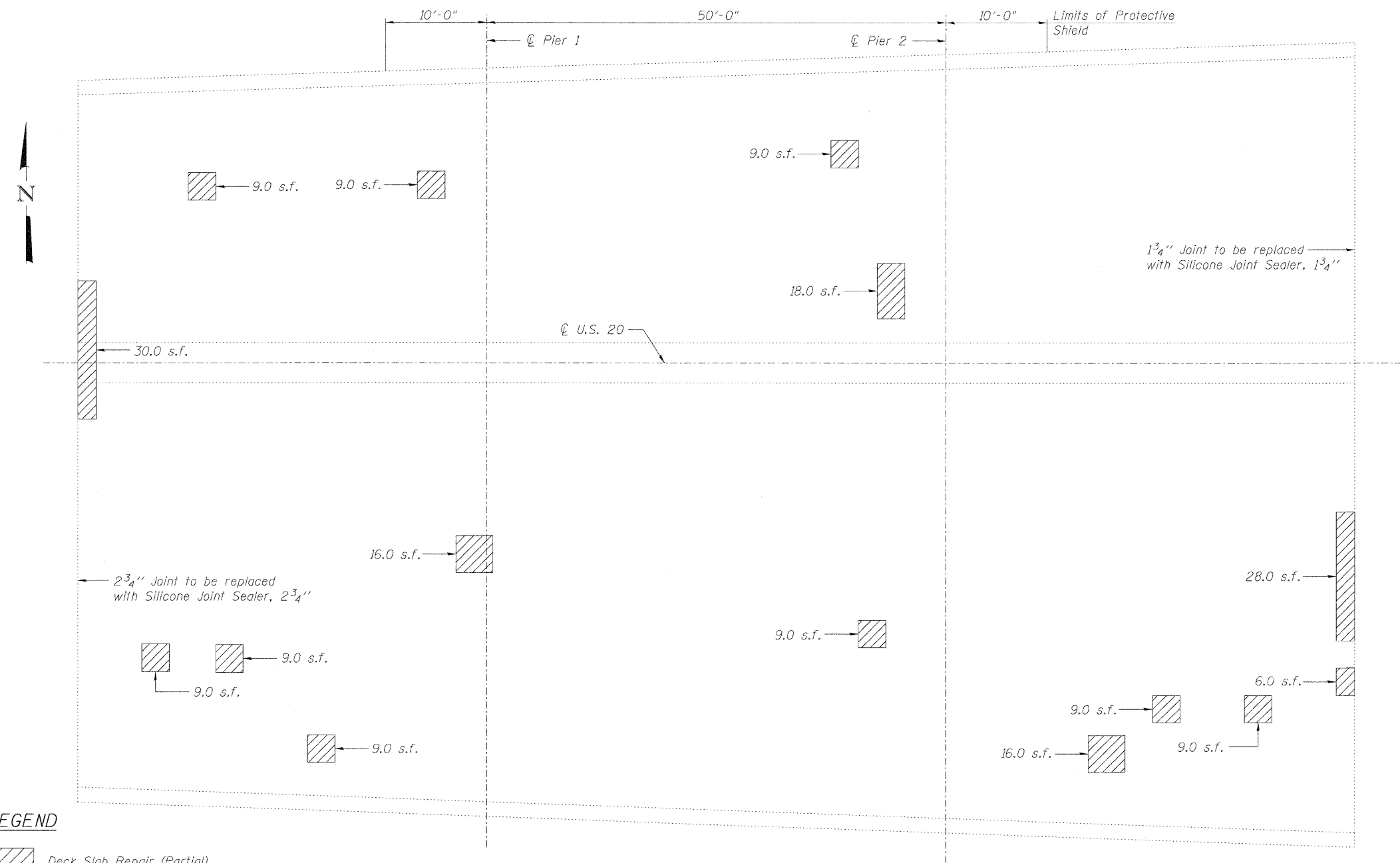


Notes:
 Repair of the existing deck slab shall include but may not be limited to the areas shown. The actual area to be repaired will be determined by the Engineer at the time of construction.
 Cost of existing joint removal is included in the cost of Silicone Joint Sealer.
 Cost of concrete overlay removal for deck slab repair is included with the cost of Deck Slab Repair.
 Limits of Protective Shield shall extend longitudinally as shown below and transversely from North to South fascia beams.

SILICONE JOINT SEALER END TREATMENT



PROPOSED JOINT DETAIL @ ABUTMENTS

BILL OF MATERIAL

ITEM	UNIT	TOTAL
Deck Slab Repair (Partial)	Sq. Yd.	21.7
Silicone Joint Sealer, 1 3/4"	Foot	87
Silicone Joint Sealer, 2 3/4"	Foot	78
Protective Shield	Sq. Yd.	600

LEGEND

▨ Deck Slab Repair (Partial)
 s.f. Square Feet

PLAN