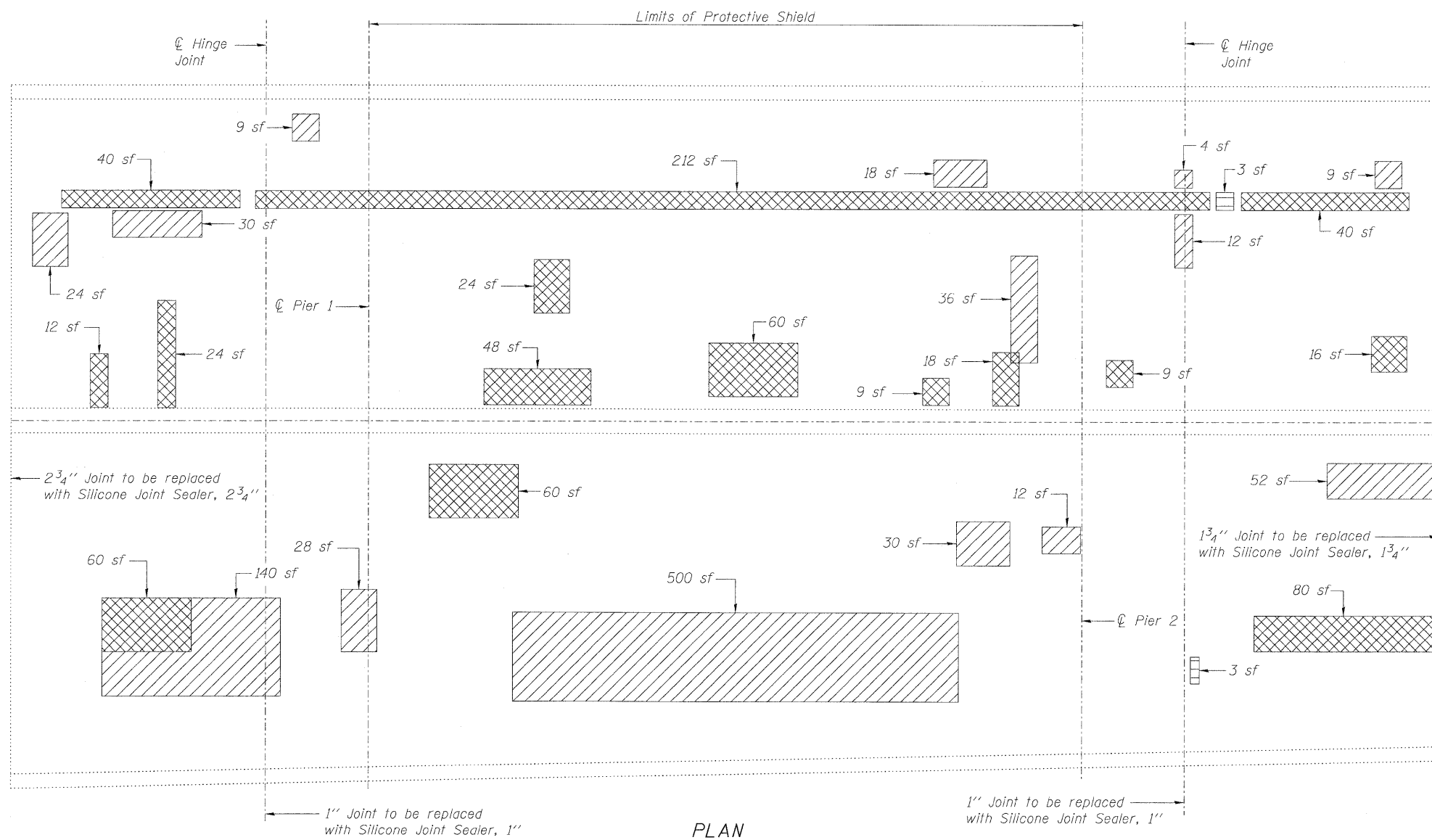
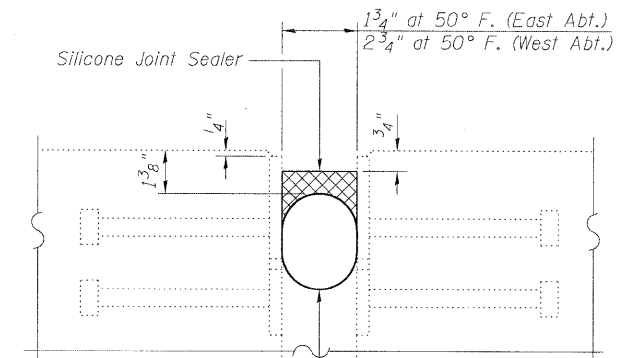


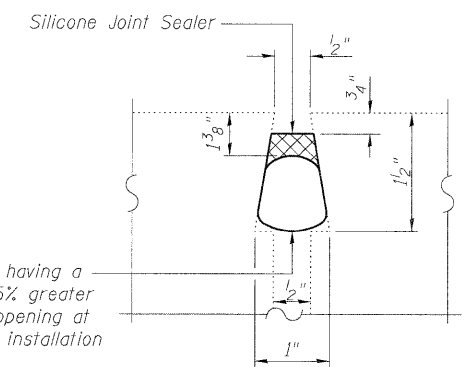
**SILICONE JOINT SEALER END TREATMENT**



**PLAN**



**PROPOSED JOINT DETAIL @ ABUTMENTS**



**PROPOSED JOINT DETAIL @ HINGES**

**BILL OF MATERIAL**

ITEM	UNIT	TOTAL
Deck Slab Repair (Full Depth, Type I)	Sq. Yd.	0.7
Deck Slab Repair (Full Depth, Type II)	Sq. Yd.	79.1
Deck Slab Repair (Partial)	Sq. Yd.	100.4
Silicone Joint Sealer, 1"	Foot	76
Silicone Joint Sealer, 1 3/4"	Foot	76
Silicone Joint Sealer, 2 3/4"	Foot	155
Protective Shield	Sq. Yd.	658

**LEGEND**

- Deck Slab Repair (Full Depth, Type I)
- Deck Slab Repair (Full Depth, Type II)
- Deck Slab Repair (Partial)
- sf Square Feet

**Notes:**

Repair of the existing deck slab shall include but may not be limited to the areas shown. The actual area to be repaired will be determined by the Engineer at the time of construction.  
 Limits of Protective Shield shall extend longitudinally from Pier 1 to Pier 2 and transversely from North to South fascia beams.  
 Cost of existing joint removal is included in the cost of Silicone Joint Sealer.  
 Cost of concrete overlay removal for deck slab repair is included with the cost of Deck Slab Repair.



USER NAME =	DESIGNED - TBP	REVISED -
FILE NAME =	CHECKED - ADB	REVISED -
PLOT SCALE =	DRAWN - AJF	REVISED -
PLOT DATE =	CHECKED - MTH	REVISED -

**STATE OF ILLINOIS  
DEPARTMENT OF TRANSPORTATION**

**SUPERSTRUCTURE REPAIR  
STRUCTURE NO. 045-0006**

SHEET NO. 3 OF 3 SHEETS

F.A.P. RTE. 345	SECTION BR-1-RS-4	COUNTY KANE	TOTAL SHEETS 124	SHEET NO. 86
				CONTRACT NO. 60M46
ILLINOIS FED. AID PROJECT				