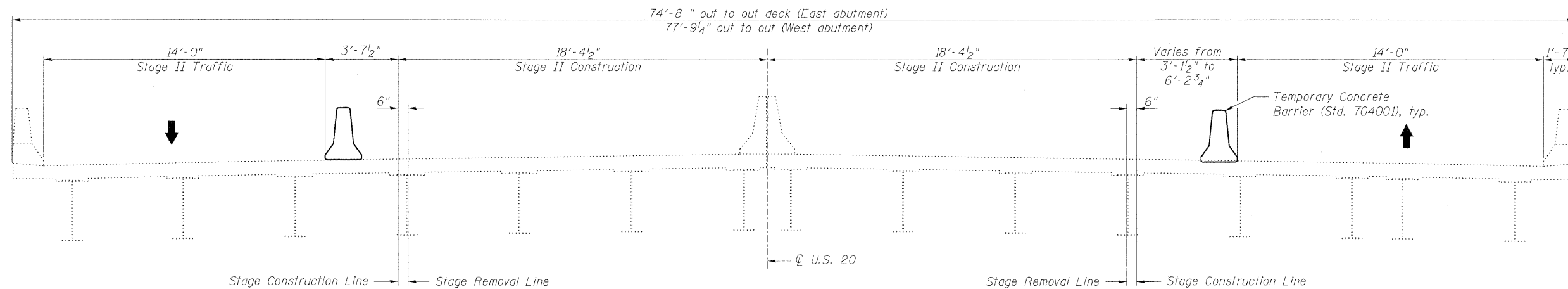


STAGE I REMOVAL & CONSTRUCTION
(Looking East)



STAGE II REMOVAL & CONSTRUCTION
(Looking East)