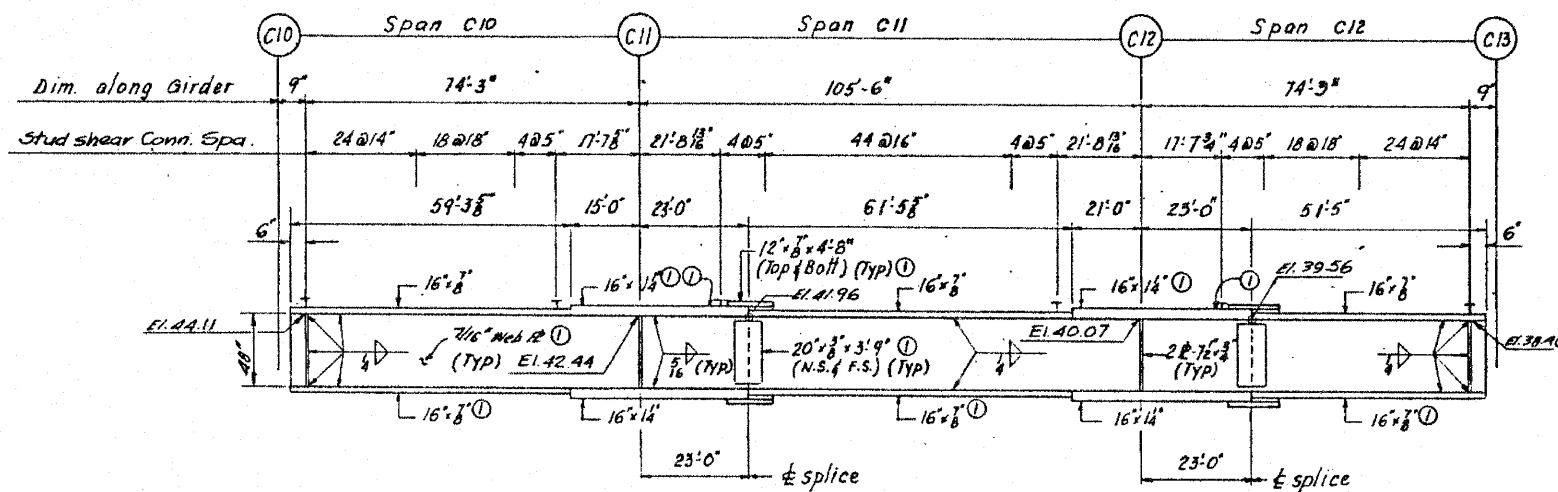
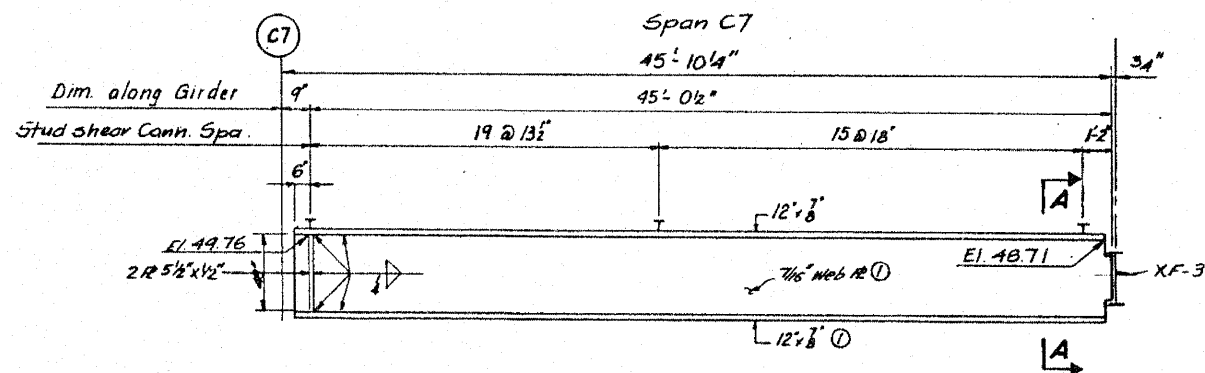


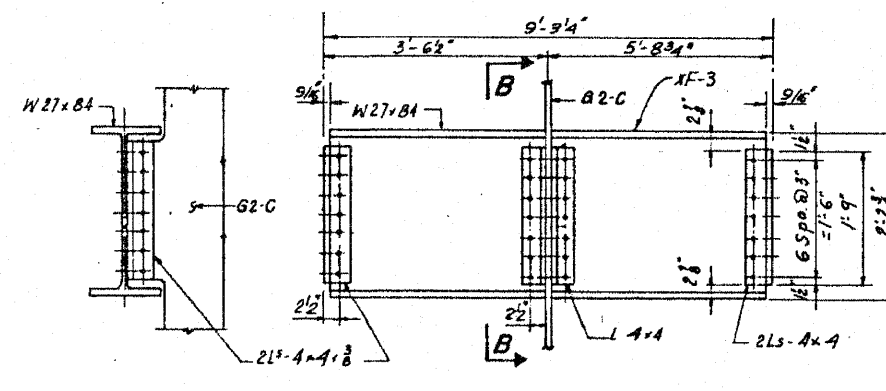
GIRDER G3-C ELEVATION



GIRDER G1-C ELEVATION



GIRDER G2-C ELEVATION



SECTION B-B

SECTION A-A

N.T.R. - denotes Notch Toughness requirements.

Ⓢ - denotes N.T.R.

FILE NAME =	USER NAME = rgal1	DESIGNED - AMR	REVISED -	STATE OF ILLINOIS DEPARTMENT OF TRANSPORTATION	GIRDER ELEVATIONS - LOCATION 1		F.A.I. RTE.	SECTION	COUNTY	TOTAL SHEETS	SHEET NO.
	PLOT SCALE = 1/8000" = 1" IN.	DRAWN - AMR	REVISED -		94	2010-127-BP	COOK	160	26		
	PLOT DATE = 3/26/2011	CHECKED - JMH	REVISED -		STRUCTURE NO. 016-1113		CONTRACT NO. 60N01				
	DATE - MARCH, 2011	REVISED -		SCALE: NTS	SHEET NO. 20 OF 40 SHEETS	STA. TO STA.	ILLINOIS FED. AID PROJECT				