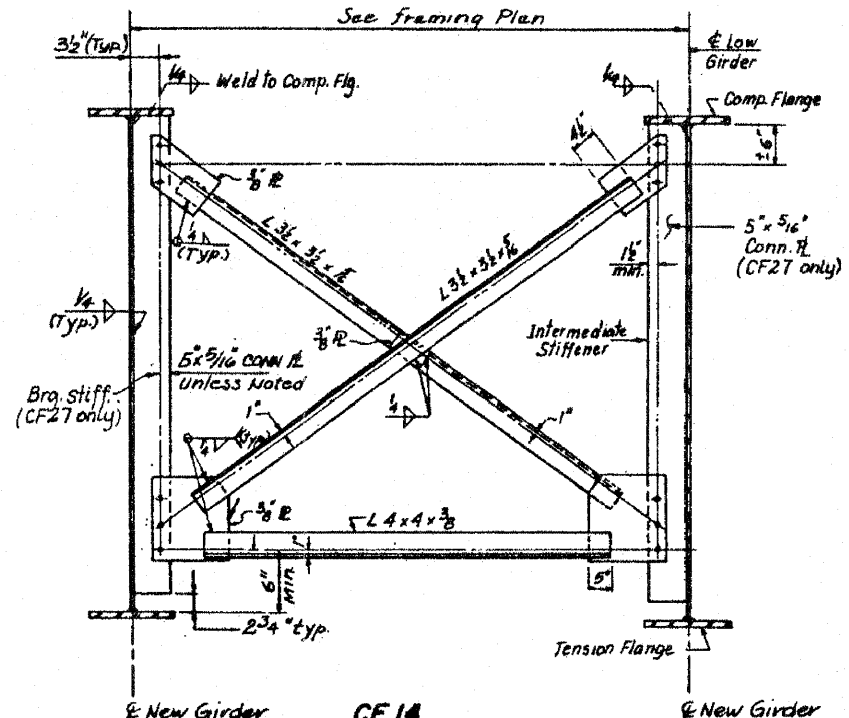
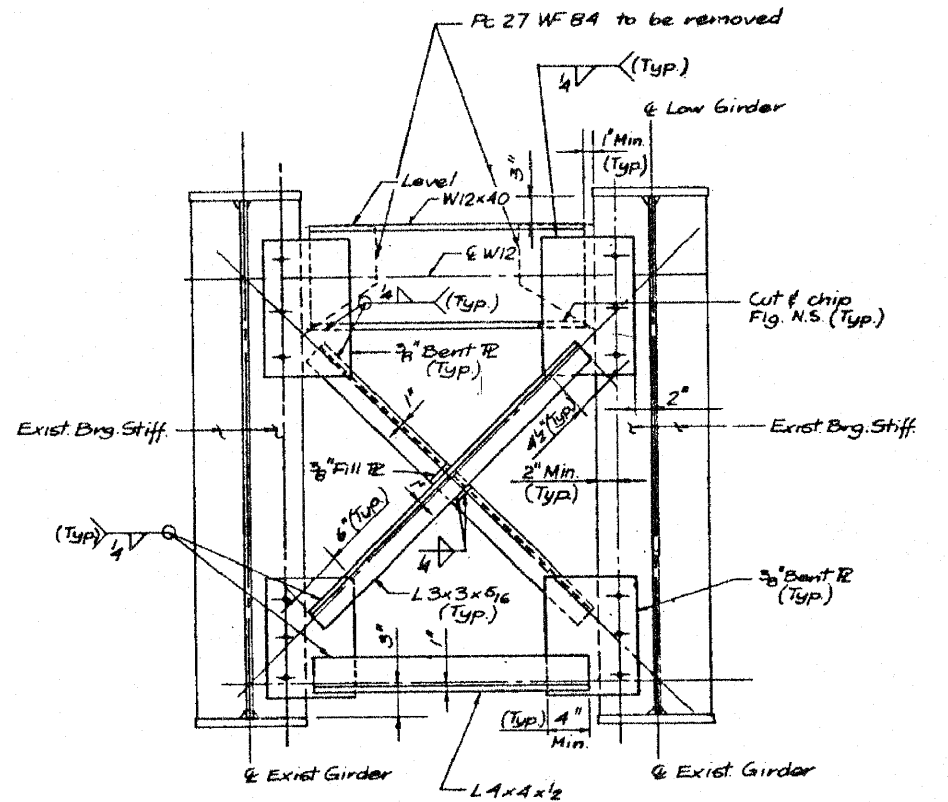


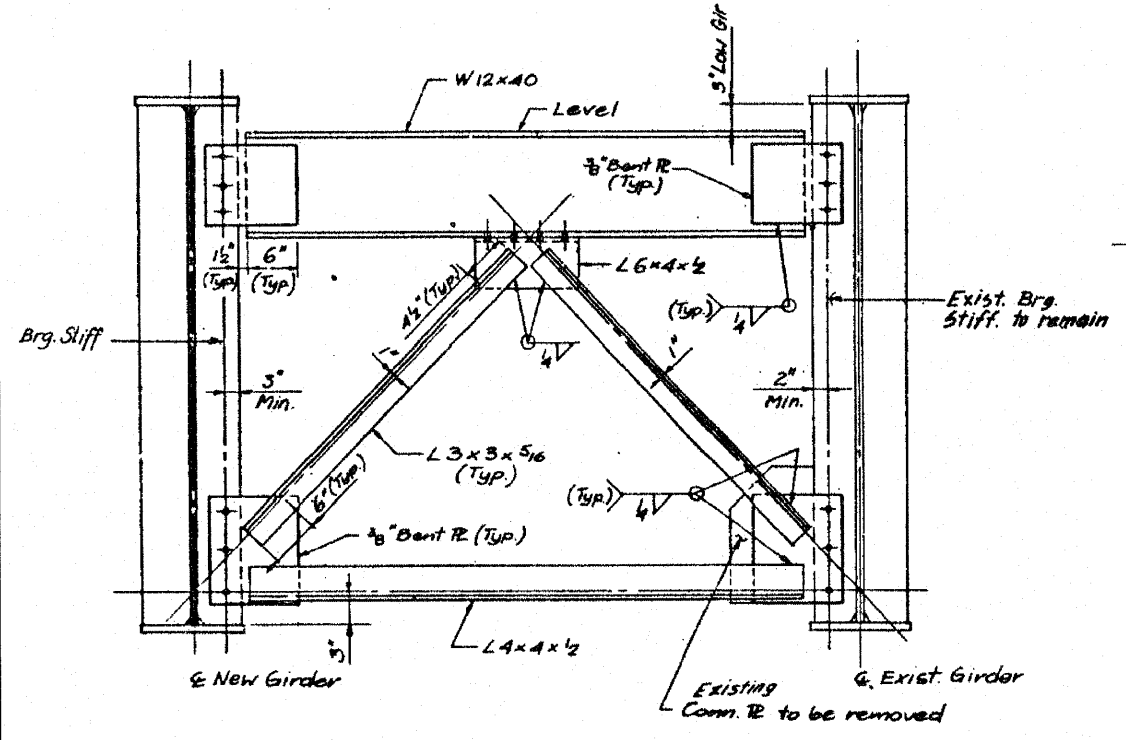
CF 11
END CROSS FRAME
 (60" Web Girder)
 Looking toward & Pier



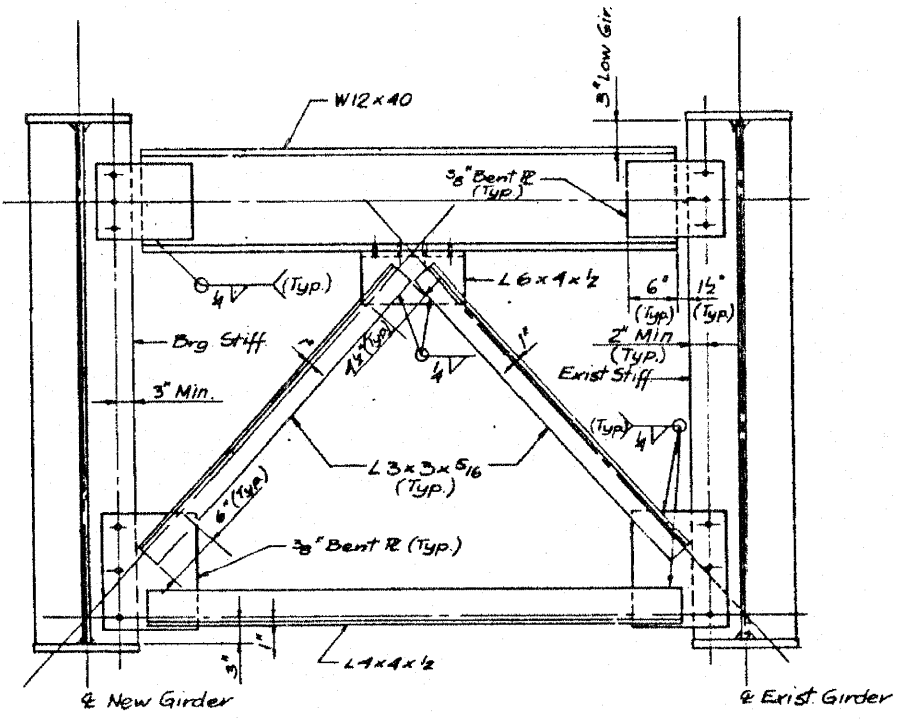
CF 14
CF 27
INTERIOR CROSS FRAME
 (60" Web Girder)



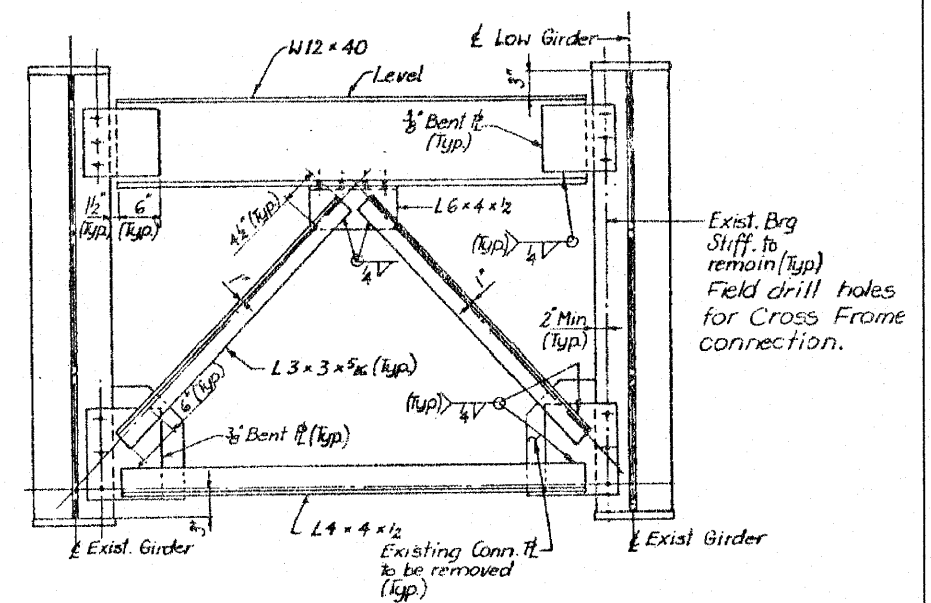
CF 16
END CROSS FRAME
 LOOKING TOWARD & PIER



CF 18
CF 19
END CROSS FRAME
 LOOKING TOWARD & PIER



CF 23 & CF 21
CF 24 & CF 22 (OPP HAND)
END CROSS FRAME
 LOOKING TOWARD & PIER



CF 31
END CROSS FRAME

FILE NAME :	USER NAME : rgo11	DESIGNED : AMR	REVISED :	STATE OF ILLINOIS DEPARTMENT OF TRANSPORTATION	CROSS FRAME DETAILS - LOCATION 1 STRUCTURE NO. 016-1113	F.A.I. RTE. :	SECTION :	COUNTY :	TOTAL SHEETS :	SHEET NO. :	
PLOT SCALE : 1/8" = 1'-0"	DRAWN : AMR	CHECKED : JMH	REVISED :			94	2010-127-BP	COOK	160	38	
PLOT DATE : 3/28/2011	DATE : MARCH, 2011		REVISED :			CONTRACT NO. 60N01					
						ILLINOIS FED. AID PROJECT					